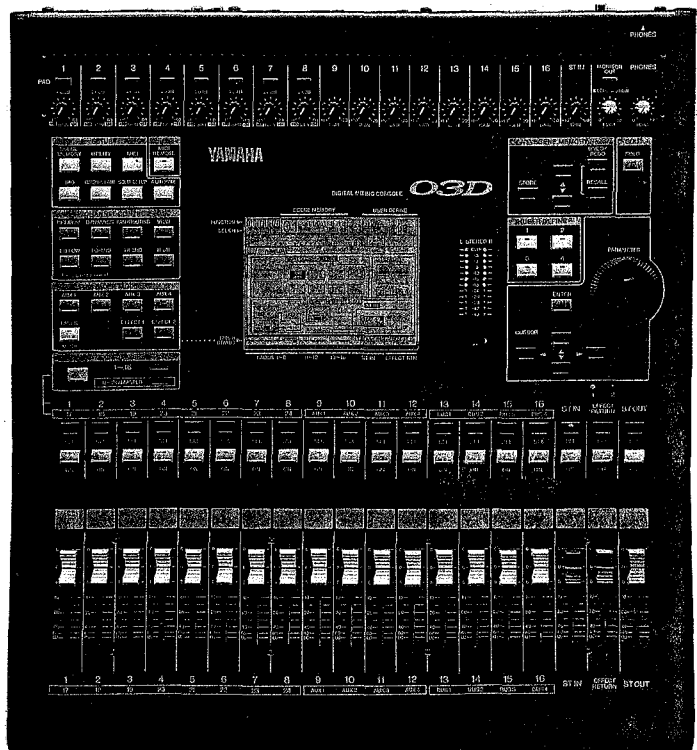


DIGITAL MIXING CONSOLE

OSD

SERVICE MANUAL



■ CONTENTS (目次)

SPECIFICATIONS (総合仕様)	2/11
DIMENSIONS (寸法図)	19
BLOCK & LEVEL DIAGRAMS (ブロック&レベルダイアグラム)	20
PANEL LAYOUT (パネルレイアウト)	29
CIRCUIT BOARD WIRING (基板結線図)	34
CIRCUIT BOARD LAYOUT (ユニットレイアウト)	38
DISASSEMBLY PROCEDURE (分解手順)	39
LSI PIN DISCRPTION (LSI端子機能表)	46
IC BLOCK DIAGRAM (ICブロック図)	51
CIRCUIT BOARDS (シート基板図)	54

INSPECTIONS (検査)	86/114
TEST PROGRAM (テストプログラム) ..	92/120
SOFTWARE LOADING METHOD (バージョンアップの方法)	108/136
DISPLAY MESSAGES (ディスプレイメッセージ一覧)	112/140
MIDI DATA FORMAT (MIDIデータフォーマット)	142
MIDI IMPLEMENTATION CHART	150
CIRCUIT DIAGRAMS (回路図)	151
PARTS LIST	

PA 011360

19970210-350000

YAMAHA CORP.

HAMAMATSU, JAPAN

1.94K-0561 Printed in Japan '97.3

IMPORTANT NOTICE

This manual has been provided for the use of authorized Yamaha Retailers and their service personnel. It has been assumed that basic service procedures inherent to the industry, and more specifically Yamaha Products, are already known and understood by the users, and have therefore not been restated.

WARNING: Failure to follow appropriate service and safety procedures when servicing this product may result in personal injury, destruction of expensive components and failure of the product to perform as specified. For these reasons, we advise all Yamaha product owners that all service required should be performed by an authorized Yamaha Retailer or the appointed service representative.

IMPORTANT: This presentation or sale of this manual to any individual or firm does not constitute authorization, certification, recognition of any applicable technical capabilities, or establish a principal-agent relationship of any form.

The data provided is believed to be accurate and applicable to the unit(s) indicated on the cover. The research engineering, and service departments of Yamaha are continually striving to improve Yamaha products. Modifications are, therefore, inevitable and changes in specification are subject to change without notice or obligation to retrofit. Should any discrepancy appear to exist, please contact the distributor's Service Division.

WARNING: Static discharges can destroy expensive components. Discharge any static electricity you body may have accumulated by grounding yourself to the ground buss in the unit (heavy gauge black wires connect to this buss.)

IMPORTANT: Turn the unit OFF during disassembly and parts replacement. Recheck all work before you apply power to the unit.

LITHIUM BATTERY HANDLING

This product uses a lithium battery for memory back-up.

WARNING: Lithium batteries are dangerous because they can be exploded by improper handling. Observe the following precautions when handling or replacing lithium batteries.

- Leave lithium battery replacement to qualified service personnel.
- Always replace with batteries of the same type.
- When installing on the PC board by soldering, solder using the connection terminals provided on the battery cells. Never solder directly to the cells. Perform the soldering as quickly as possible.
- Never reverse the battery polarities when installing.
- Do not short the batteries.
- Do not attempt to recharge these batteries.
- Do not disassemble the batteries.
- Never heat batteries or throw them into fire.

ADVARSEL!

Lithiumbatteri-Eksplosionsfare ved fejlagtig håndtering. Udskiftning må kun ske med batteri af samme fabrikat og type. Levér det brugte batteri tilbage til leverandøren.

WARNING

Explosionsfara vid felaktigt batteribyte. Använd samma batterityp eller en ekvivalent typ som rekommenderas av apparattillverkaren. Kassera använt batteri enligt fabrikantens instruktion.

VAROITUS

Paristo voi räjähtää, jos se on virheellisesti asennettu. Vaihda paristo ainoastaan laitevalmistajan suosittelemaan tyyppiin. Hävitä käytetty paristo valmistajan ohjeiden mukaisesti.

The following information complies with Dutch Official Gazette 1995. 45; ESSENTIALS OF ORDER ON THE COLLECTION OF BATTERIES.

- Please refer to the disassembly procedure for the removal of Back-up Battery.
- Leest u voor het verwijderen van de backup batterij deze beschrijving.

WARNING: CHEMICAL CONTENT NOTICE!

The solder used in the production of this product contains LEAD. In addition, other electrical/electronic and/or plastic (where applicable) components may also contain traces of chemicals found by the California Health and Welfare Agency (and possibly other entities) to cause cancer and/or birth defects or other reproductive harm.

DO NOT PLACE SOLDER, ELECTRICAL/ELECTRONIC OR PLASTIC COMPONENTS IN YOUR MOUTH FOR ANY REASON WHAT SO EVER!

Avoid prolonged, unprotected contact between solder and your skin! When soldering, do not inhale solder fumes or expose eyes to solder/flux vapor!

If you come in contact with solder or components located inside the enclosure of this product, wash your hands before handling food.

■ WARNING

Components having special characteristics are marked \triangle and must be replaced with parts having specification equal to those originally installed.

\triangle 印の商品は、安全を維持するために重要な部品です。交換する場合は、安全のため必ず指定の部品をご使用下さい。

■ SPECIFICATIONS

General Specs

Sampling rate	Internal: 48 kHz/44.1 kHz External: 32 kHz (-6%) to 48 kHz (+6%)
Signal delay	Less than 2.5 ms fs=48 kHz, CH IN to ST OUT
Dither	16 to 24 bit
Fader	60 mm stroke motorized fader × 19
Fader resolution	128 steps ST OUT: +6 to -90 dB, ∞ dB others: +6 to -72 dB, ∞ dB
Total harmonic distortion (THD)	Less than 0.1% 20 Hz to 20 kHz, +14 dB 600Ω, ST IN to ST OUT Less than 0.01% 1 kHz, +18 dB 600Ω, ST IN to ST OUT
Frequency response	20 Hz to 20 kHz +1, -3 dB, +4 dB 600Ω
Dynamic range	110 dB typical DA (ST OUT) 105 dB typical AD+DA (ST IN to ST OUT)
Hum & Noise	
20 Hz to 20 kHz, Rs=150Ω, GAIN: Max, PAD: off, Input sensitivity=-60 dB	-128 dB Equivalent input noise
LPF (Measured with a -6 dB/octave filter @12.7 kHz; equivalent to a 20 kHz filter with an infinite dB/octave attenuation.)	-94 dB Residual noise ST OUT, ST OUT ON switch: off
	-94 dB 98 dB S/N all channel faders: ∞ dB ST OUT fader: 0 dB
	-64 dB 68 dB S/N 1 channel fader: 0 dB ST OUT fader: 0 dB
Maximum voltage gain	76 dB CH IN to ST OUT/BUS OUT 76 dB CH IN (Pre-fader) to AUX OUT 36 dB ST IN to ST OUT 76 dB CH IN to MONITOR OUT (ST OUT via pre-fader)
Crosstalk (1 kHz)	-70 dB adjacent input channels -60 dB adjacent ST IN -70 dB CH IN to output
Controls	
Analog section	
PAD switch	26 dB input channels 1 to 8
GAIN control	44 dB (-16 to -60 dB) input channels 1 to 8 30 dB (+10 to -20 dB) input channels 9 to 16, ST IN
PHANTOM switch	+48V input channels 1 to 8
Monitor output switch	SOLO/2TR IN
LEVEL controls	MONITOR OUT, PHONES
Digital section	
ON button, SEL button, fader	channels 1 to 16 (17 to 24, AUX 1 to 4, BUS 1 to 4), ST IN, RETURN 1/2, ST OUT
MIXING LAYER button	channel 1 to 16 (17 to 24/MASTER)
MIDI REMOTE button	Remote/Local off
FADER MODE button	AUX1, AUX2, AUX3, AUX4, FADER-METER, EFFECT1, EFFECT2

CHANNEL CONTROL button	EQ LOW, LO-MID, HI-MID, HIGH, DELAY/Ø, DYNAMICS, PAN/ROUTING, VIEW
SET UP button	UTILITY, MIDI, SCENE MEMORY, DIO, GROUP/PAIR, SOLO SETUP, AUTOMIX
SOLO button	
SCENE MEMORY button	STORE, RECALL, INC+, DEC-, UNDO/REDO
USER DEFINE button	1, 2, 3, 4
CURSOR button	LEFT, RIGHT, UP, DOWN
PARAMETER wheel	24-click rotary encoder
ENTER button	
Display	
LCD	Graphical LCD, 320 × 240 dots with backlight and contrast control
Meters	STEREO OUT meter, 2 × 12 segment LED bargraphs
LED indicators	MIXING LAYER 1–16/(17–24/MASTER) EFFECT RETURN 1/2
Power Requirements	
	U.S.A. & Canada 120 V AC, 60 Hz European 230 V AC, 50 Hz
Power Consumption	85 W
Dimensions (W × H × D)	460 × 210.5 × 516.5 mm (18.1" × 8.3" × 20.3")
Weight	16 kg (35.3 lbs)
Free-air operating temperature range	10°C to 35°C (50°F to 95°F)
Security cover	Four M3 fixing holes for user-made cover
Options	YGDAI cards, RK124 Rack Mount Kit

Channel Specs

Mono input channel channels 1 to 24 (channels 17 to 24: YGDAI card)

Analog section

PHANTOM switch	+48 V, CH 1 to 8
GAIN control	44 dB (-16 to -60 dB), channel 1 to 8 30 dB (+10 to -20 dB), channel 9 to 16
PAD switch	26 dB, channels 1 to 8
INSERT	channel 1 & 2
AD convertor	20-bit linear 64-times oversampling

Digital section

Attenuator	0 to -96 dB 1 dB step
Delay	Delay/Slap/Echo (Delay time: 1 to 200 ms, fs=48 kHz)
Pre/Post	AUX1, AUX2, AUX3, AUX4, EFFECT1, EFFECT2
Phase	Normal/Reverse
Equalizer	4-band parametric equalizer
Dynamics	
ON button	ON/OFF CH 1 to 16
Fader	60 mm stroke motorized fader CH 1 to 16
Solo	ON/OFF AFL/PFL
Pan	
Bus assign	BUS1, BUS2, BUS3, BUS4, STL-R Direct out (channel 1 to 16: YGDAI)
Meter	LCD

Stereo input channel L-R

Analog section

GAIN control	30 dB (+10 to -20 dB)
AD convertor	20-bit linear 64-times oversampling

Digital section

FLIP switch	Normal (ST IN: Analog) FLIP (DIGITAL STEREO IN: Digital)
Attenuator	0 to -96 dB 1 dB step
Delay	Delay/Slap/Echo (Delay time: 0 to 200 ms, fs=48 kHz)
Equalizer	4-band parametric equalizer
Dynamics	
ON button	ON/OFF
Fader	60 mm stroke motorized fader
Solo	ON/OFF AFL/PFL
Balance	
Dual pan	Individual/Gang/Inverted Gang
Bus assign	BUS 1, BUS 2, BUS 3, BUS 4, ST L-R
Meter	LCD
Pre/Post	AUX1, AUX2, AUX3, AUX4, EFFECT1, EFFECT2

Stereo digital input channel

De-emphasis	Auto de-emphasis filter (15 μ s/50 μ s)
FLIP switch	Normal (ST IN: analog) FLIP (DIGITAL STEREO IN: digital) DIGITAL STEREO IN: AES/EBU, COAXIAL
Cascade	ON/OFF, ON: assign to ST bus

Effect return channel 1,2

Equalizer	4-band parametric equalizer
Dynamics	
ON button	ON/OFF EFFECT1, EFFECT2
Fader	60 mm stroke motorized fader
Solo	ON/OFF AFL/PFL
Balance	
Dual pan	Individual/Gang/Inverted Gang
Bus assign	BUS1, BUS2, BUS3, BUS4, ST L-R
Meter	LCD
Pre/Post	AUX1, AUX2, AUX3, AUX4

Stereo output channel L-R**Digital section**

Equalizer	4-band parametric equalizer
Fader	60 mm stroke motorized fader
Balance	
Dynamics	
ON button	ON/OFF
Delay	Delay time: 0 to 41.7 ms, fs=48 kHz
Monitor	ON/OFF AFL/PFL
Meter	12-element LED Meter \times 2 (Post-fader)

Analog section

DA convertor	20-bit linear 8-times oversampling
--------------	------------------------------------

BUS Output channel BUS OUT 1 to 4**Digital section**

Equalizer	4-band parametric equalizer
Pan (to ST BUS)	
Fader	60 mm stroke motorized fader
Monitor	ON/OFF AFL/PFL
Meter	LED
Delay	Delay time: 0 to 41.7 ms, fs=48 kHz

Analog section

DA convertor	18-bit linear 8-times oversampling
--------------	------------------------------------

AUX output channel AUX OUT 1 to 4**Digital section**

Equalizer	4-band parametric equalizer
Fader	60 mm stroke motorized fader
Dynamics	
ON/OFF	
Monitor	ON/OFF AFL/PFL
Meter	LCD

Analog section

DA convertor	18-bit linear 8-times oversampling
--------------	------------------------------------

Monitor output channel**Digital section**

MONI TRIM control/SOLO TRIM control (SOLO ON)	
MONO switch	ON/OFF

Analog section

DA convertor	20-bit linear 8-times oversampling
Output select switch	SOLO/2TR IN
LEVEL control	MONITOR OUT PHONES

REC OUT channel

SOURCE SELECT switch	ST OUT/BUS 1-2
----------------------	----------------

Digital stereo output channel

Dither	Word length: 16 to 24 bit
--------	---------------------------

Digital output channel (YGDAI cards)

Output select	BUS 1/CH 1/CH 9/AUX 1/ST OUT L to YGDAI OUTPUT 1 BUS 2/CH 2/CH 10/AUX 2/ST OUT R to YGDAI OUTPUT 2 BUS 3/CH 3/CH 11/AUX 3/ST OUT L to YGDAI OUTPUT 3 BUS 4/CH 4/CH 12/AUX 4/ST OUT R to YGDAI OUTPUT 4 BUS 1/CH 5/CH 13/AUX 1/ST OUT L to YGDAI OUTPUT 5 BUS 2/CH 6/CH 14/AUX 2/ST OUT R to YGDAI OUTPUT 6 BUS 3/CH 7/CH 15/AUX 3/ST OUT L to YGDAI OUTPUT 7 BUS 4/CH 8/CH 16/AUX 4/ST OUT R to YGDAI OUTPUT 8
Dither	Word length: 16 to 24 bit

Memory/Library Specs

Type	Total	Preset	User
Scene Memories	51	1	50
Channel Library	51	2	49
Effects Library	96	64	32
Dynamics Library	80	40	40
EQ Library	80	40	40

EQ Specs

Band	(G)ain	(F)requency ¹	(Q)
High	±18 dB	21 Hz–20.1 kHz	LPF, 10–0.1, shelving
High-Mid	±18 dB	21 Hz–20.1 kHz	10–0.1
Lo-Mid	±18 dB	21 Hz–20.1 kHz	10–0.1
Low	±18 dB	21 Hz–20.1 kHz	HPF, 10–0.1, shelving

1. Frequency at 48 kHz or 44.1 kHz sampling rate. At a sampling rate of 32 kHz the frequency range is 21 Hz–15.1 kHz.

Analog Inputs Specs

Connection	PAD Switch	GAIN Control	Actual Load Impedance	For Use With Nominal	Sensitivity ¹	Input level		Connector
						Nominal	Maximum Before Clipping	
Input Channels 1-8	OFF	-60	3 k Ω	50-600 Ω Mics & 600 Ω Lines	-72 dB (194 μ V)	-60 dB (775 μ V)	-46 dB (3.88 mV)	XLR-3-31 type (balanced) ² & TRS phone jack (balanced) ³
	OFF	-16			-28 dB (30.9 mV)	-16 dB (123 mV)	-2 dB (616 mV)	
	ON				-2 dB (616 mV)	+10 dB (2.45 V)	+24 dB (12.3 V)	
Input Channels 9-16	—	-20	10 k Ω	600 Ω Lines	-32 dB (19.4 mV)	-20 dB (77.5 mV)	-6 dB (388 mV)	TRS phone jack (balanced) ³
		+10			-2 dB (616 mV)	+10 dB (2.45 V)	+24 dB (12.3 V)	
ST IN (L, R)	—	-20	10 k Ω	600 Ω Lines	-32 dB (19.4 mV)	-20 dB (77.5 mV)	-6 dB (388 mV)	TRS phone jack (balanced) ³
		+10			-2 dB (616 mV)	+10 dB (2.45 V)	+24 dB (12.3 V)	
Insert In (CH1, 2)	—	—	10 k Ω	600 Ω Lines	-8 dB (309 mV)	+4 dB (1.23 V)	+18 dB (6.16 V)	TRS phone jack (unbalanced) ⁴
2TR IN (L, R)	—	—	10 k Ω	600 Ω Lines	-10 dBV (316 mV)	-10 dBV (316 mV)	+4 dBV (1.58 V)	Phono (unbalanced)

1. Sensitivity is the lowest level that will produce an output of +4 dB (1.23 V) or the nominal output level when the 03D is set to maximum gain (all faders and level controls at maximum positions).
2. Input channel XLR-type connectors are balanced (pin 1 = ground, pin 2 = hot, pin 3 = cold).
3. Input channel and ST input TRS phone jacks are balanced (tip = hot, ring = cold, sleeve = ground).
4. Input channel insert connections are unbalanced (tip = send, ring = return, sleeve = ground).
5. When dB represents a specific voltage, 0 dB is referenced to 0.775 V rms.
6. For 2TR IN levels, 0 dBV is referenced to 1.00 V rms.
7. Input channels 1-16 and ST IN use linear 20-bit 64-times oversampling A/D converters.
8. Individually switched +48 V phantom power is available on input channels 1-8.

Analog Outputs Specs

Connection	Actual Source Impedance	For Use With Nominal	Output Level		Connector
			Nominal	Maximum Before Clipping	
STEREO OUT (L, R)	150 Ω	600 Ω Lines	+4 dB (1.23 V)	+18 dB (6.16 V)	XLR-3-32 type (balanced) ¹
BUS OUT (1-4)	150 Ω	10 k Ω Lines	+4 dB (1.23 V)	+18 dB (6.16 V)	TRS phone jack (balanced) ²
AUX OUT (1-4)	150 Ω	10 k Ω Lines	+4 dB (1.23 V)	+18 dB (6.16 V)	TRS phone jack (balanced) ²
Insert Out (CH1, 2)	600 Ω	10 k Ω Lines	+4 dB (1.23 V)	+18 dB (6.16 V)	TRS phone jack (unbalanced) ³
REC OUT (L, R)	600 Ω	10 k Ω Lines	-10 dBV (316 mV)	+4 dBV (1.58 V)	Phono (unbalanced)
MONITOR OUT (L, R)	150 Ω	10 k Ω Lines	+4 dB (1.23 V)	+18 dB (6.16 V)	TRS phone jack (balanced) ²
Phones	100 Ω	8 Ω phones	1 mW	25 mW	Stereo phone jack (unbalanced) ⁴
		40 Ω phones	3 mW	75 mW	

1. STEREO OUT XLR-type connectors are balanced (pin 1 = ground, pin 2 = hot, pin 3 = cold).
2. BUS, AUX, and MONITOR OUT TRS phone jacks are balanced (tip = hot, ring = cold, sleeve = ground).
3. Input channel insert connections are unbalanced (tip = send, ring = return, sleeve = ground).
4. The PHONES stereo phone jack is unbalanced (tip = left, ring = right, sleeve = ground).
5. When dB represents a specific voltage, 0 dB is referenced to 0.775 V rms.
6. For REC OUT levels, 0 dBV is referenced to 1.00 V rms.
7. STEREO OUT and MONITOR OUT use 20-bit 8-times oversampling D/A converters.
8. BUS and AUX outputs use 18-bit 8-times oversampling D/A converters.

Digital Inputs Specs

Connection	Format	Data Length	Level	Connector	
DIGITAL STEREO IN ¹	AES/EBU	AES/EBU	24 bit	RS-422	XLR-3-31 type
	COAXIAL	IEC-958 Consumer Use	20 bit	0.5 Vpp (75Ω)	Phono

1. De-emphasis is applied automatically if the input signal has been emphasized.

Digital Outputs Specs

Connection	Format	Data Length	Level	Connector	
DIGITAL STEREO OUT	AES/EBU	AES/EBU ¹	24 bit ²	RS-422	XLR-3-32 type
	COAXIAL	IEC-958 ³ Consumer Use	20 bit ²	0.5 Vpp (75Ω)	Phono

- Channel status
Type: 2 channel audio signal
Emphasis: No
Sampling rate: depends on internal configuration
- Channel status
Type: 2 channel audio signal
Category code: 2 channel PCM encoder/decoder
Copy prohibit: No
Emphasis: No
Clock accuracy: Level II (1,000 ppm)
Sampling rate: depends on internal configuration
- Dither: wordlength 16–24 bit

YGDAI Interface Card Specs

Card	Format	Inputs	Outputs
CD8-AT	ADAT	8 inputs (CH17–24)	8 outputs (BUS, AUX, ST, CH direct)
CD8-TDII	TASCAM	8 inputs (CH17–24)	8 outputs (BUS, AUX, ST, CH direct)
CD8-AE-S	AES/EBU	8 inputs (CH17–24)	8 outputs (BUS, AUX, ST, CH direct)
CD8-Y	Yamaha	8 inputs (CH17–24)	8 outputs (BUS, AUX, ST, CH direct)
CD8-CS	Cascade	Cascade inputs	Cascade outputs

Control I/O Specs

Connection	Format	Level	Connector
TO HOST ¹	—	—	8-pin mini DIN
MIDI IN (MTC)	MIDI	—	5-pin DIN
MIDI THRU	MIDI	—	5-pin DIN
MIDI OUT	MIDI	—	5-pin DIN
MOUSE	—	—	9-pin D-sub (male)
TO EDITOR ¹	—	RS-422	9-pin D-sub (female)
WORD CLOCK IN	—	TTL (75Ω ON/OFF)	BNC
WORD CLOCK OUT	—	TTL (75Ω)	BNC

1. TO HOST and TO EDITOR cannot be used at the same time.

■ 総合仕様

1. 全体仕様

■ サンプル周波数	内部:48kHz/44.1kHz 外部:(32kHz -6%)~(48kHz +6%)
■ シグナルディレイ	2.5ms以下 fs=48kHz, CH IN → ST OUT
■ デイザー	16~24ビット
■ フェーダー	60mmストローク・モーターフェーダー×19
■ フェーダー分解能	128ステップ ST OUT:+6~-90dB, -∞dB その他:+6~-72dB, -∞dB
■ 全高調波歪	0.1%以下 20Hz~20kHz, +14dB 600Ω, ST IN → ST OUT 0.01%以下 1kHz, +18dB 600Ω, ST IN → ST OUT
■ 周波数特性	20Hz~20kHz +1, -3dB, +4dB 600Ω
■ ダイナミックレンジ	110dB標準 DA(ST OUT) 105dB標準 AD+DA(ST IN → ST OUT)
■ ハム&ノイズ	20Hz~20kHz, Rs=150Ω, GAIN:最大, PAD:オフ, 入力感度=-60dB LPF(-6dB/octave @12.7kHz: -∞dB/octave @20kHzと等価)を通して測定
	-128dB 等価ノイズ -94dB 残留ノイズ ST OUT, ST OUT ONスイッチ:オフ -94dB 98dB S/N 全チャンネル・フェーダー:-∞dB ST OUTフェーダー:0dB -64dB 68dB S/N 1チャンネル・フェーダー:0dB ST OUTフェーダー:0dB
■ 最大電圧ゲイン	76dB CH IN → ST OUT/BUS OUT 76dB CH IN(プリフェーダー) → AUX OUT 36dB ST IN → ST OUT 76dB CH IN → MONITOR OUT(ST OUTプリフェーダー経由)
■ クロストーク(1kHz)	70dB 隣接インプットCH間 60dB 隣接ST IN間 70dB CH IN → Output
■ コントロール	
アナログセクション	
PADスイッチ	26dB インプットCH1~8
GAINコントロール	44dB(-16~-60dB) インプットCH1~8 30dB(+10~-20dB) インプットCH9~16, ST IN
PHANTOMスイッチ	+48V インプットCH1~8
MONITOR OUTスイッチ	SOLO/2TR IN
LEVELコントロール	MONITOR OUT, PHONES
デジタルセクション	
ON・SELキー, フェーダー	CH 1~16/(17~24, AUX 1~4, BUS 1~4)、ST IN, RETURN 1/2、ST OUT
MIXING LAYERキー	CH 1~16/(17~24/MASTER)
MIDI REMOTEキー	リモート/ローカルオフ
FADER MODEキー	AUX 1, AUX 2, AUX 3, AUX 4, FADER-METER, EFFECT 1, EFFECT 2
CHANNEL CONTROLキー	EQ LOW LO-MID HI-MID HIGH DELAY/Ø DYNAMICS PAN/ROUTING VIEW

SETUPキー	UTILITY	MIDI	SCENE MEMORY
SOLOキー	DIO	GROUP/PAIR	SOLO SETUP AUTOMIX
SCENE MEMORYキー	STORE, RECALL, INC+, DEC-, UNDO/REDO		
USER DEFINEキー	1, 2, 3, 4		
CURSORキー	LEFT, RIGHT, UP, DOWN		
PARAMETERダイヤル	24クリック・ロータリーエンコーダー		
ENTERキー			

■メモリー／ライブラリー数

タイプ	総数	プリセット	ユーザー
シーンメモリー数	51	1	50
内蔵デジタルエフェクト (1, 2)	96	64	32
ダイナミクス	80	40	40
EQライブラリー	80	40	40
チャンネルライブラリー	51	2	49

■EQ

	LOW	LO-MID	HI-MID	HIGH
G (ゲイン)	±18dB			
F (周波数)	fs=48kHz/ 44.1kHz	21Hz~20.1kHz		
	fs=32kHz	21Hz~15.1kHz		
Q	HPF、10~0.1、 シェルピング	10~0.1		LPF、10~0.1、 シェルピング

■ディスプレイ

LCD

グラフィカルLCD 320×240ドット

バックライト・コントラストコントロール付

メーター

STEREO OUTメーター 2×12セグメントLED

インジケーター

MIXING LAYER 1-16/(17-24/MASTER)

EFFECT RETURN1/2

■電源

100V 50/60Hz

■消費電力

75W

■最大外形寸法(W×H×D)

460×210.5×516.5mm

■重量

16kg

■動作保証温度

10~35℃

■セキュリティカバー

アナログ入力コントロール部に取付可能 4-M3ネジ穴

■オプション

YGDAIカード、ラック用金具 RK124

2. チャンネル仕様

■モノラルインプットチャンネル CH 1~24、ただしCH 17~24はYGDAIカード

・アナログセクション

PHANTOMスイッチ +48V CH 1~8のマイク・インプット

GAINコントロール 44dB (-16~-60dB) CH 1~8

30dB (+10~-20dB) CH 9~16

PADスイッチ 26dB CH 1~8

INSERT CH 1, 2

ADコンバーター 20ビットリニア・64倍オーバーサンプリング

・デジタルセクション	
アッテネーター	0~-96dB 1dBステップ
ディレイ	ディレイ/スラップ/エコー (ディレイタイム:0~200ms, fs=48kHz)
プリ/ポスト	AUX1, AUX2, AUX3, AUX4, EFFECT1, EFFECT2
フェイズ	ノーマル/リバーズ
イコライザー	4バンド・パラメトリックイコライザー
ダイナミクス	
ONキー	オン/オフ CH 1~16
フェーダー	60mmストローク・モーターフェーダー CH 1~16
ソロ	オン/オフ
	AFL/PFL
パン	
バスアサイン	BUS 1, BUS 2, BUS 3, BUS 4, ST L・R ダイレクトアウト(CH 1~16 → YGDAI)
メーター	LCD

■ステレオインプットチャンネルL・R

・アナログセクション	
GAINコントロール	30dB(+10~-20dB)
ADコンバーター	20ビットリニア・64倍オーバーサンプリング
・デジタルセクション	
FLIPスイッチ	ノーマル(ST IN:アナログ)/ フリップ(DIGITAL STEREO IN:デジタル)
アッテネーター	0~-96dB 1dBステップ
ディレイ	ディレイ/スラップ/エコー (ディレイタイム:0~200ms, fs=48kHz)
イコライザー	4バンド・パラメトリックイコライザー
ダイナミクス	
ONキー	オン/オフ
フェーダー	60mmストローク・モーターフェーダー
ソロ	オン/オフ
	AFL/PFL
バランス	
デュアルパン	インディヴィジュアル/ギャング/インバーテッド・ギャング
バスアサイン	BUS 1, BUS 2, BUS 3, BUS 4, ST L・R
メーター	LCD
プリ/ポスト	AUX1, AUX2, AUX3, AUX4, EFFECT1, EFFECT2

■ステレオデジタルインプットチャンネル

デエンファシス	自動デエンファシス・フィルター(15 μ s/50 μ s)
FLIPスイッチ	ノーマル(ST IN:アナログ)/ フリップ(DIGITAL STEREO IN:デジタル)
	DIGITAL STEREO INはAES/EBU, COAXIALから択一
カスケード	オン/オフ カスケードオンでSTバスにアサイン

■エフェクトリターンチャンネル1,2

イコライザー	4バンド・パラメトリックイコライザー
ダイナミクス	
ONキー	オン/オフ EFFECT 1, EFFECT 2
フェーダー	60mmストローク・モーターフェーダー

ソロ	オン/オフ
	AFL/PFL
バランス	
デュアルパン	インディヴィジュアル/ギャング/インバーテッド・ギャング
バスアサイン	BUS 1, BUS 2, BUS 3, BUS 4, STL・R
メーター	LCD
プリ/ポスト	AUX1, AUX2, AUX3, AUX4

■ステレオアウトプットチャンネルL・R

・デジタルセクション	
イコライザー	4バンド・パラメトリックイコライザー
フェーダー	60mmストローク・モーターフェーダー
バランス	
ダイナミクス	
ONキー	オン/オフ
ディレイ	ディレイタイム:0~41.7ms, fs=48kHz
モニター	オン/オフ
	AFL/PFL
メーター	12エレメントLEDメーター×2(ポストフェーダー)
・アナログセクション	
DAコンバーター	20ビットリニア・8倍オーバーサンプリング

■バスアウトプットチャンネル BUS OUT 1~4

・デジタルセクション	
イコライザー	4バンド・パラメトリックイコライザー
パン(→STバス)	
フェーダー	60mmストローク・モーターフェーダー
モニター	オン/オフ
	AFL/PFL
メーター	LCD
ディレイ	ディレイタイム:0~41.7ms, fs=48kHz
・アナログセクション	
DAコンバーター	18ビットリニア・8倍オーバーサンプリング

■AUXアウトプットチャンネル AUX OUT 1~4

・デジタルセクション	
イコライザー	4バンド・パラメトリックイコライザー
フェーダー	60mmストローク・モーターフェーダー
ダイナミクス	
オン/オフ	
モニター	オン/オフ
	AFL/PFL
メーター	LCD
・アナログセクション	
DAコンバーター	18ビットリニア・8倍オーバーサンプリング

■モニターアウトプットチャンネル

・デジタルセクション	
MONI TRIMコントロール/SOLO TRIMコントロール(SOLOオン時)	
MONOスイッチ	オン/オフ

・アナログセクション

DAコンバーター	20ビットリニア・8倍オーバーサンプリング
出力選択スイッチ	SOLO/2 TR IN
LEVELコントロール	MONITOR OUT PHONES

■REC OUTチャンネル

SOURCE SELECTスイッチ ST OUT/BUS 1・2

■デジタルステレオアウトチャンネル

ディザー ワード長:16~24ビット

■デジタルアウトプットチャンネル(YGDAIカード)

アウトプットセレクト BUS 1/CH 1/CH 9/AUX 1/ST OUT L → YGDAI OUTPUT 1
 BUS 2/CH 2/CH 10/AUX 2/ST OUT R → YGDAI OUTPUT 2
 BUS 3/CH 3/CH 11/AUX 3/ST OUT L → YGDAI OUTPUT 3
 BUS 4/CH 4/CH 12/AUX 4/ST OUT R → YGDAI OUTPUT 4
 BUS 1/CH 5/CH 13/AUX 1/ST OUT L → YGDAI OUTPUT 5
 BUS 2/CH 6/CH 14/AUX 2/ST OUT R → YGDAI OUTPUT 6
 BUS 3/CH 7/CH 15/AUX 3/ST OUT L → YGDAI OUTPUT 7
 BUS 4/CH 8/CH 16/AUX 4/ST OUT R → YGDAI OUTPUT 8

ディザー ワード長:16~24ビット

3. アナログ入力仕様

入力端子	インピーダンス		適合 インピーダンス	入力レベル			使用 コネクター	
	PAD	GAIN		感度*1	定格レベル	最大ノンクリップレベル		
CH INPUT	0	-60	3k Ω	50~600 Ω	-72dB(194 μ V)	-60dB(775 μ V)	-46dB(3.88mV)	XLR-3-31 type*2 and Phone Jack(TRS)*3
CH 1~CH 8	0	-16		Mics & 600 Ω Lines	-28dB(30.9mV)	-16dB(123mV)	-2dB(616mV)	
	26					-2dB(616mV)	+10dB(2.45V)	
CH INPUT		-20	10k Ω	600 Ω Lines	-32dB(19.4mV)	-20dB(77.5mV)	-6dB(388mV)	Phone Jack(TRS)*3
CH 9~CH 16		+10					-2dB(616mV)	
ST IN[L, R]		-20	10k Ω	600 Ω Lines	-32dB(19.4mV)	-20dB(77.5mV)	-6dB(388mV)	Phone Jack(TRS)*3
		+10					-2dB(616mV)	
CH INSERT IN CH 1, 2			10k Ω	600 Ω Lines	-8dB(309mV)	+4dB(1.23V)	+18dB(6.16V)	Phone Jack(TRS)*4
2 TR IN[L, R]			10k Ω	600 Ω Lines	-10dBV(316mV)	-10dBV(316mV)	+4dBV(1.58V)	RCA Pin Jack

・ 0dB=775mVrms, 0dBV=1Vrms

・ ADコンバーター 20ビット, 64倍オーバーサンプリング

・ CH INPUT 1~8のXLRタイプコネクターに+48V DCのファンタム電源が供給(個別スイッチ付)

*1. 全フェーダーおよびレベルコントロールが最大時に定格出力レベル+4dB(1.23V)を出力するために必要な最小レベル

*2. バランス型(1=GND, 2=HOT, 3=COLD)

*3. バランス型(Tip=HOT, Ring=COLD, Sleeve=GND)

*4. アンバランス型(Tip=OUTPUT, Ring=INPUT, Sleeve=GND)

4. アナログ出力仕様

出力端子	インピーダンス	適合 インピーダンス	出力レベル		使用コネクタ
			定格レベル	最大ノンクリップレベル	
STEREO OUT[L, R]	150Ω	600Ω Lines	+4dB (1.23V)	+18dB (6.16V)	XLR-3-32 type (Balanced) ^{*1}
BUS OUT 1~4	150Ω	10kΩ Lines	+4dB (1.23V)	+18dB (6.16V)	Phone Jack (TRS balanced) ^{*2}
AUX OUT 1~4	150Ω	10kΩ Lines	+4dB (1.23V)	+18dB (6.16V)	Phone Jack (TRS balanced) ^{*2}
CH INSERT OUT CH 1, 2	600Ω	10kΩ Lines	+4dB (1.23V)	+18dB (6.16V)	Phone Jack (Unbalanced) ^{*3}
REC OUT[L, R]	600Ω	10kΩ Lines	-10dBV (316mV)	+4dBV (1.58V)	RCA Pin Jack (Unbalanced)
MONITOR OUT[L, R]	150Ω	10kΩ Lines	+4dB (1.23V)	+18dB (6.16V)	Phone Jack (TRS balanced) ^{*2}
PHONES	100Ω	8Ω Phones	1mW	25mW	Stereo Phone Jack (TRS) (Unbalanced)
		40Ω Phones	3mW	75mW	

・ 0dB=775mVrms, 0dBV=1Vrms

・ DAコンバーター STEREO OUT L・R, MONITOR OUT L・R: 20ビット, 8倍オーバーサンプリング
BUS OUT 1~4, AUX OUT 1~4: 18ビット, 8倍オーバーサンプリング

*1. バランス型 (1=GND, 2=HOT, 3=COLD)

*2. バランス型 (Tip=HOT, Ring=COLD, Sleeve=GND)

*3. アンバランス型 (Tip=OUTPUT, Ring=INPUT, Sleeve=GND)

5. デジタルオーディオ入力仕様

端子	フォーマット	データ長	レベル	使用コネクタ	
DIGITAL	AES/EBU	AES/EBU	24ビット	RS422	XLR-3-31タイプ
STEREO IN	COAXIAL	IEC-958	20ビット	0.5Vpp/75Ω	RCA Pin Jack

・ 入力信号がエンファシスを含んでいる場合は自動でデエンファシス処理されます。

6. デジタルオーディオ出力仕様

端子	フォーマット	データ長	レベル	使用コネクタ	
DIGITAL	AES/EBU	AES/EBU ^{*1} プロ用	24ビット ^{*3}	RS422	XLR-3-32タイプ
STEREO OUT	COAXIAL	IEC-958 ^{*2} 民生用	20ビット ^{*3}	0.5Vpp/75Ω	RCA Pin Jack

*1. チャンネルステータス
タイプ : 2チャンネルオーディオ
エンファシス : オフ
サンプリングレート : 03Dの内部設定による

*2. チャンネルステータス
タイプ : 2チャンネルオーディオ
カテゴリーコード : 2チャンネルPCMエンコーダ/デコーダ
コピー禁止 : オフ
エンファシス : オフ
クロック精度 : レベルII (1000 ppm.)
サンプリングレート : 03Dの内部設定による

*3. デイザー : ワード長16~24ビット

7. YGDAIスロット仕様(Yamaha general digital audio interface)

YGDAIスロットはシングルタイプカードのみ可

カード	フォーマット	装着	INPUT	OUTPUT
CD8-AT	ADAT	可	8 IN(CH 17~24)	8 OUT(BUS, AUX, ST, CH DIRECT)*1
CD8-TDII	TASCAM	可	8 IN(CH 17~24)	8 OUT(BUS, AUX, ST, CH DIRECT)*1
CD8-AE-S	AES/EBU	可	8 IN(CH 17~24)	8 OUT(BUS, AUX, ST, CH DIRECT)*1
CD8-Y	YAMAHA	可	8 IN(CH 17~24)	8 OUT(BUS, AUX, ST, CH DIRECT)*1
CD8-CS	CASCADE	可	CASCADE IN*2	CASCADE OUT*3
CD8-AE	AES/EBU	不可	—	—
CD8-AD	AD/DA	不可	—	—

*1. *2.*3.225ページ「YGDAIブロック図」参照。

*2. 詳細は、各カードに依る。

8. コントロール/O仕様

端子	フォーマット	レベル	使用コネクタ
TO HOST*1	—	—	ミニDIN 8ピン
MIDI(MTC)IN	MIDI	—	DIN 5ピン
MIDI THRU	MIDI	—	DIN 5ピン
MIDI OUT	MIDI	—	DIN 5ピン
MOUSE	—	—	D-SUB 9ピンオス
TO EDITOR*1	—	RS422	D-SUB 9ピンメス
WORD CLOCK IN	—	TTL(75Ω IN/OUT)	BNC
WORD CLOCK OUT	—	TTL/75Ω	BNC

*1. TO HOSTとTO EDITORは同時使用不可。

9. フェーダーファンクション設定

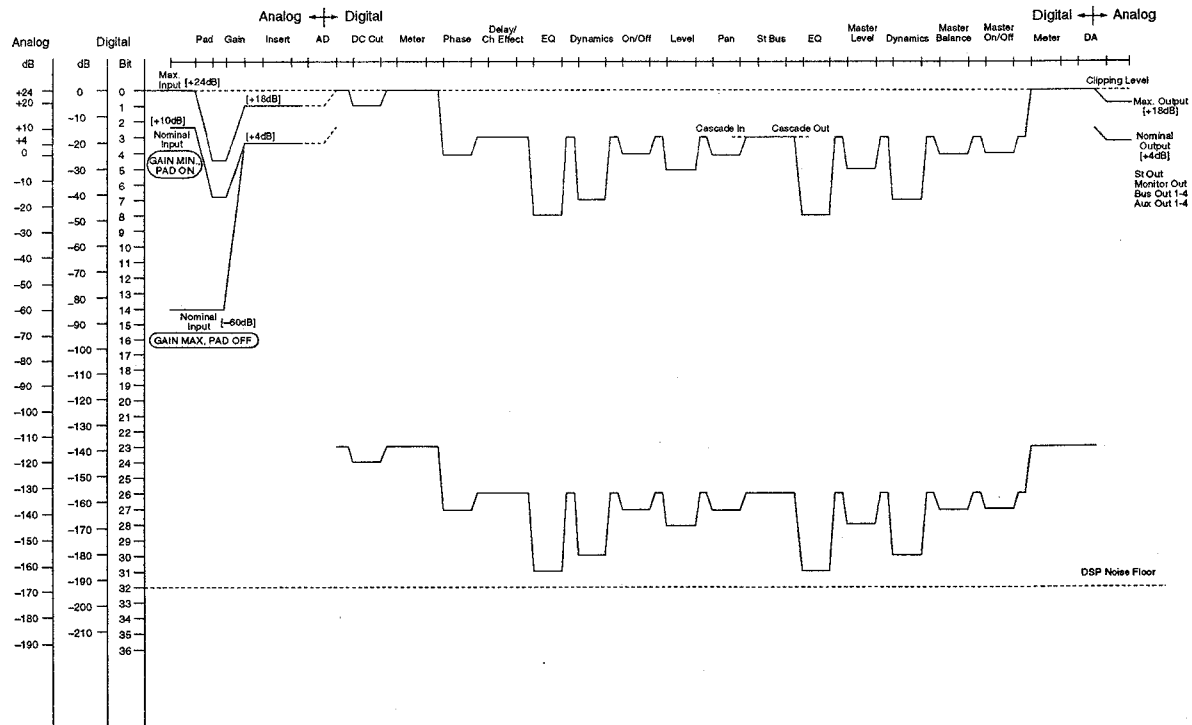
MIXING LAYER = 1-16

フェーダー モード	フェーダー					ST OUT マスター フェーダー
	1~8	9~12	13~16	ST IN	EFFECT RETURN	
FADER (Meter)	CH 1~8 フェーダー	CH 9~12 フェーダー	CH 13~16 フェーダー	ST IN フェーダー	EFF RTN 1/2 フェーダー	
AUX 1	CH 1~8 Aux 1センド	CH 9~12 Aux 1センド	CH 13~16 Aux 1センド	ST IN Aux 1センド	EFF RTN 1/2 Aux 1センド	
AUX 2	CH 1~8 Aux 2センド	CH 9~12 Aux 2センド	CH 13~16 Aux 2センド	ST IN Aux 2センド	EFF RTN 1/2 Aux 2センド	
AUX 3	CH 1~8 Aux 3センド	CH 9~12 Aux 3センド	CH 13~16 Aux 3センド	ST IN Aux 3センド	EFF RTN 1/2 Aux 3センド	
AUX 4	CH 1~8 Aux 4センド	CH 9~12 Aux 4センド	CH 13~16 Aux 4センド	ST IN Aux 4センド	EFF RTN 1/2 Aux 4センド	
EFFECT 1	CH 1~8 Eff 1センド	CH 9~12 Eff 1センド	CH 13~16 Eff 1センド	ST IN Eff 1センド	EFF RTN 1 フェーダー	
EFFECT 2	CH 1~8 Eff 2センド	CH 9~12 Eff 2センド	CH 13~16 Eff 2センド	ST IN Eff 2センド	EFF RTN 2 フェーダー	

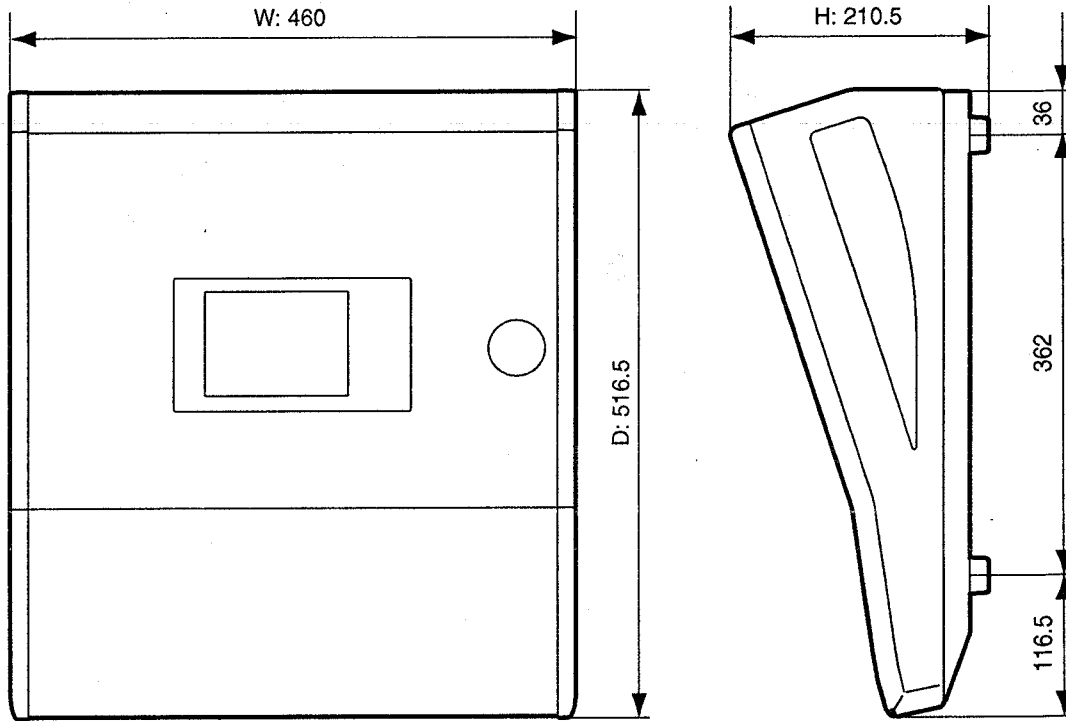
MIXING LAYER = 17-24/MASTER

フェーダーモード	フェーダー					
	1~8	9~12	13~16	ST IN	EFFECT RETURN	ST OUT
FADER (Meter)	CH 17~24 フェーダー					ミキシングレイヤー:1~16と同じ
AUX 1	CH 17~24 Aux 1センド					
AUX 2	CH 17~24 Aux 2センド					
AUX 3	CH 17~24 Aux 3センド	Aux 1~4 マスター フェーダー	Bus 1~4 マスター フェーダー			
AUX 4	CH 17~24 Aux 4センド					
EFFECT 1	CH 17~24 Eff 1センド					
EFFECT 2	CH 17~24 Eff 2センド					

10. レベルダイアグラム

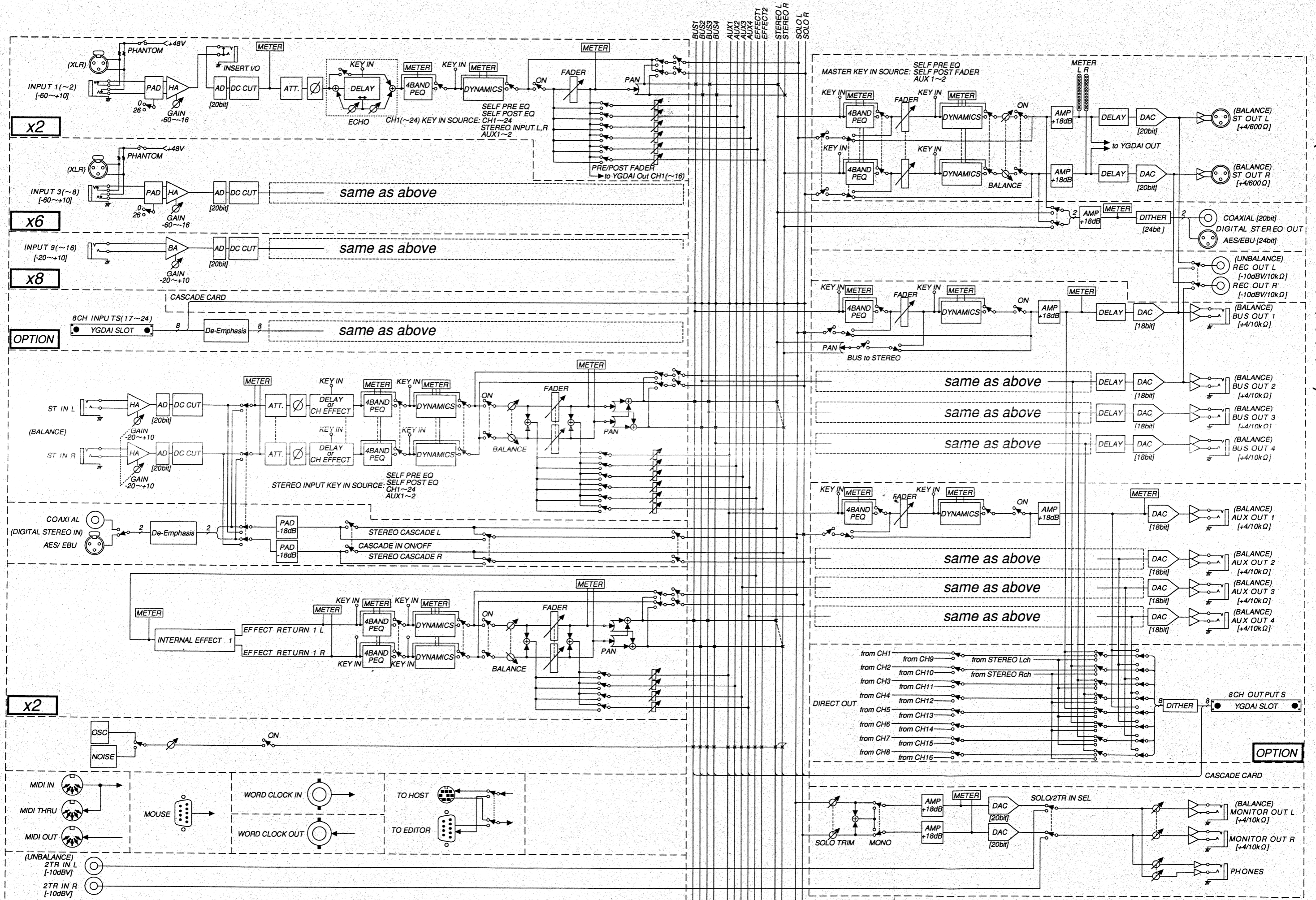


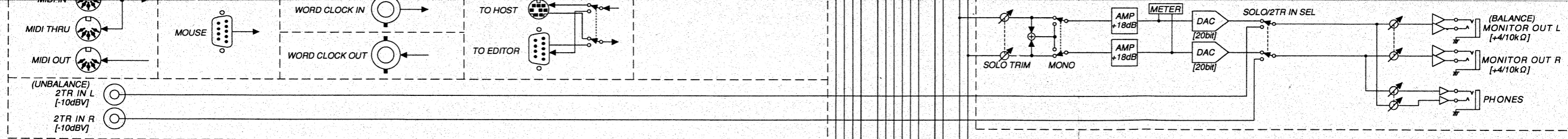
■ DIMENSIONS (寸法図)



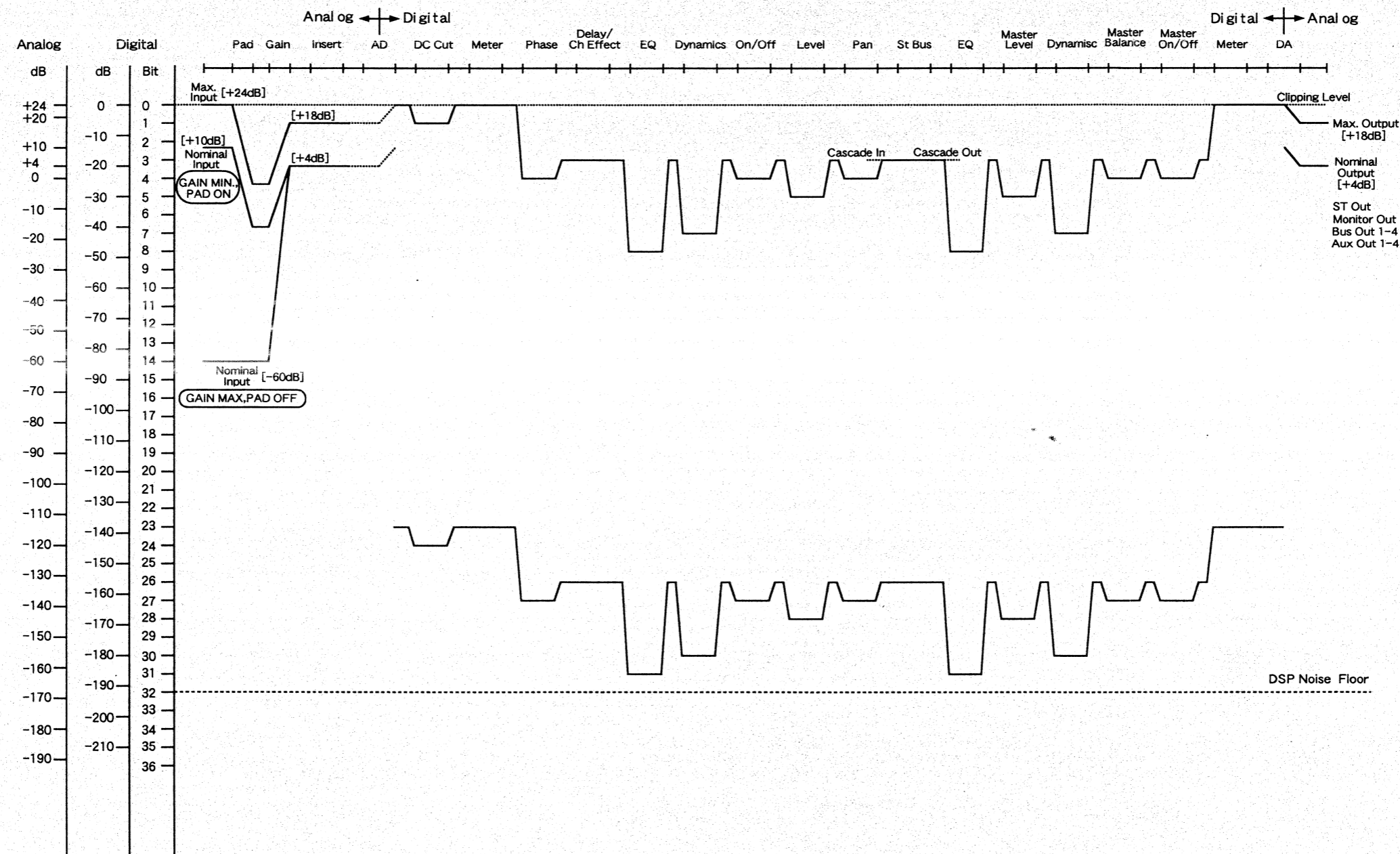
Unit(単位):mm

● Software Block Diagram (ソフトウェアブロックダイアグラム)

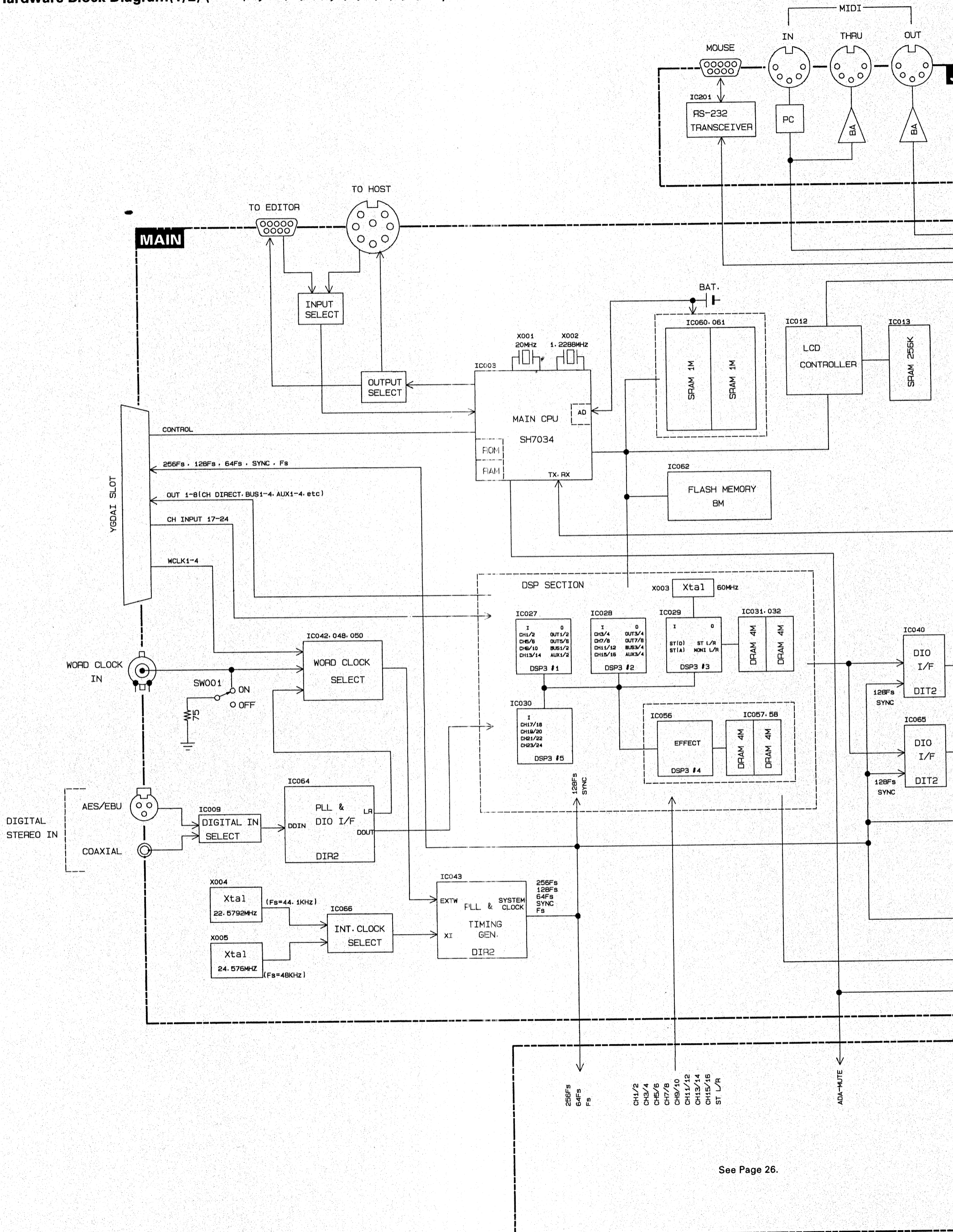




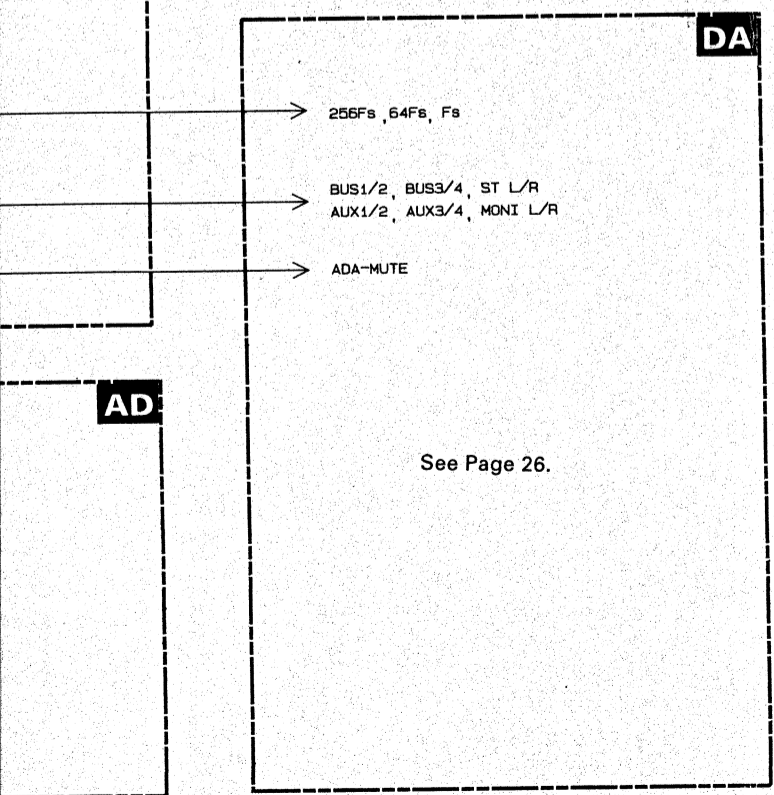
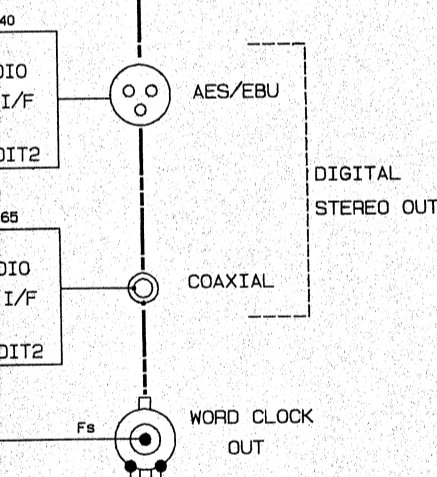
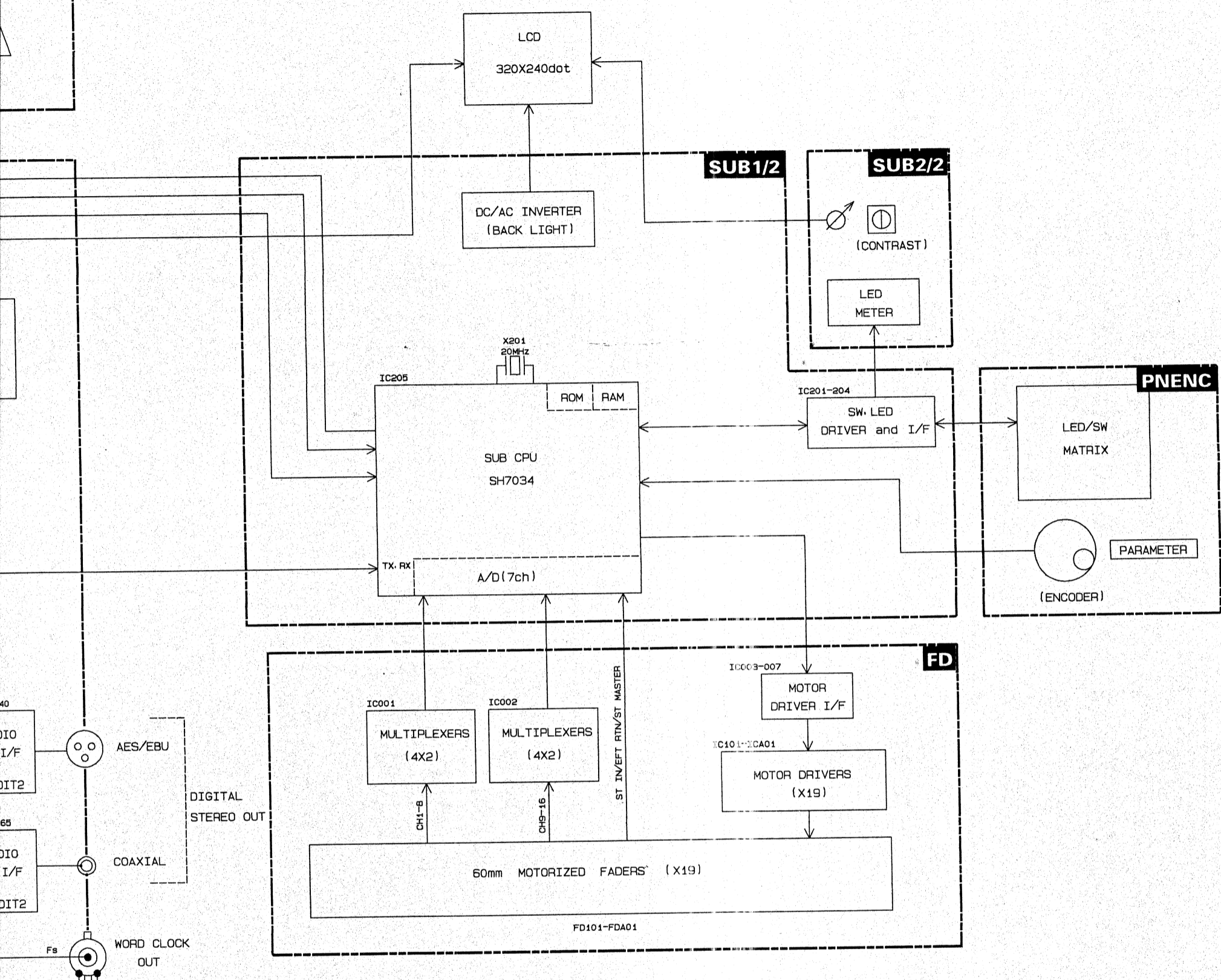
● Level Diagram (レベルダイヤグラム)



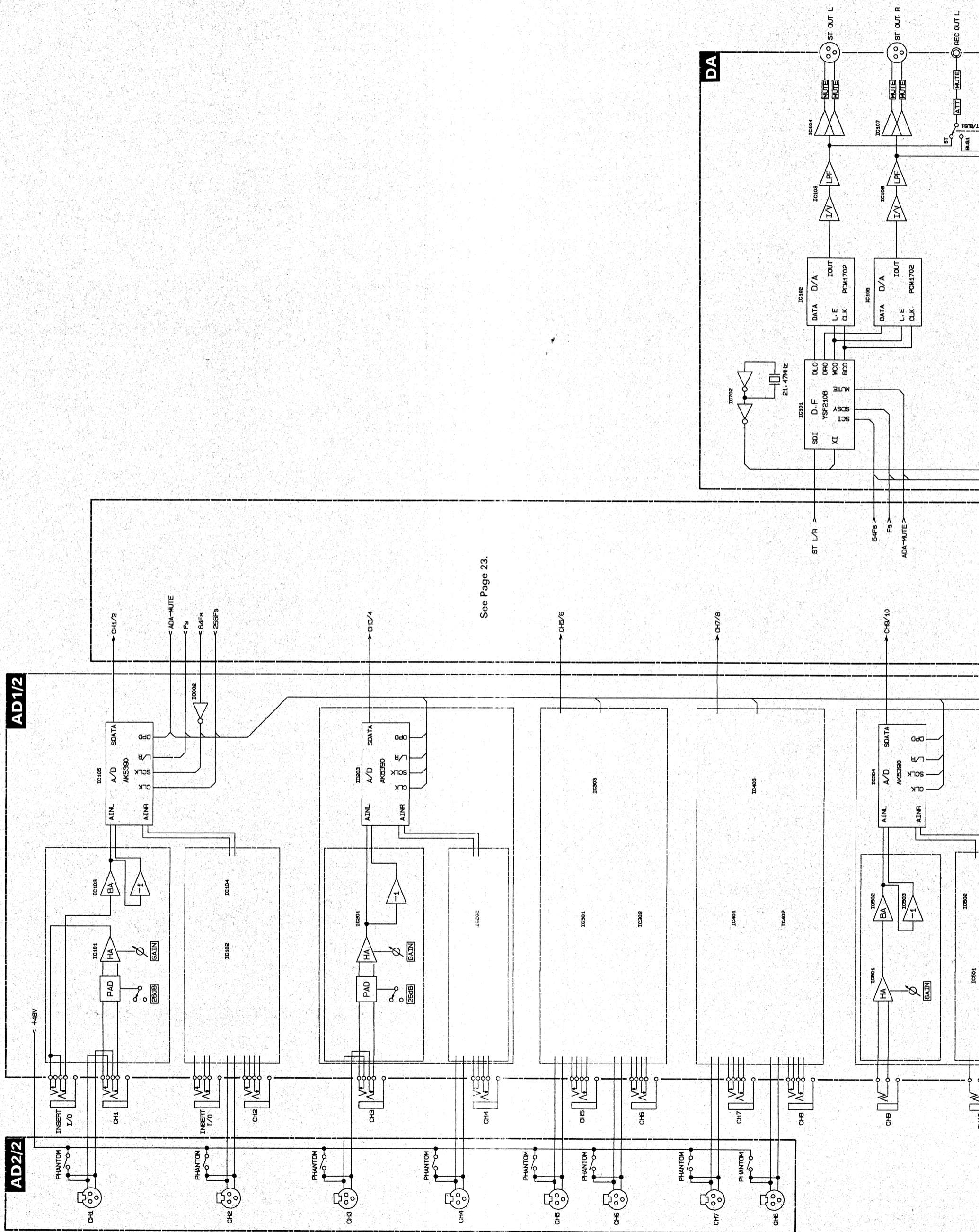
• Hardware Block Diagram(1/2) (ハードウェアブロックダイアグラム)



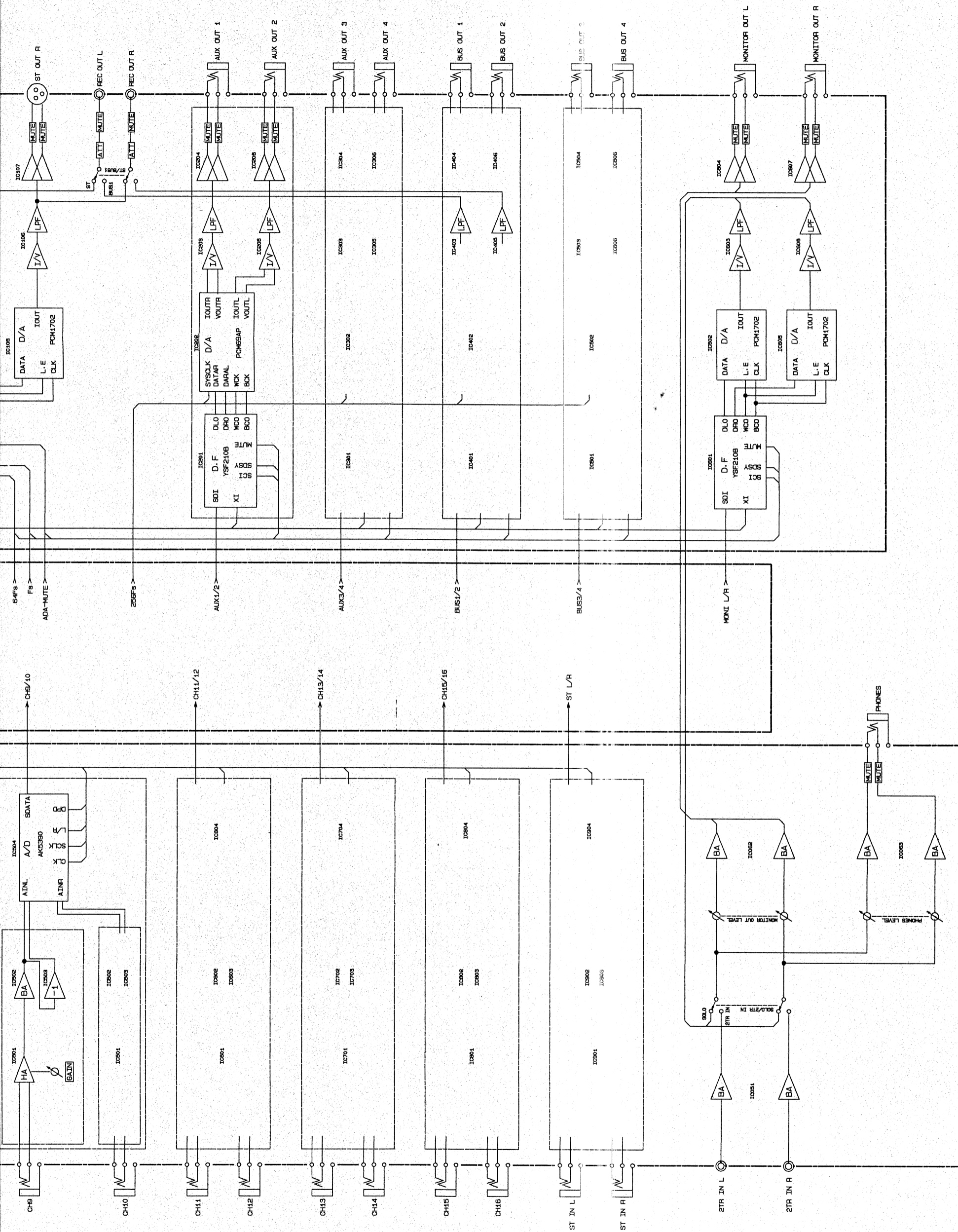
JK



• Hardware Block Diagram(2/2) (ハードウェアブロックダイアグラム)

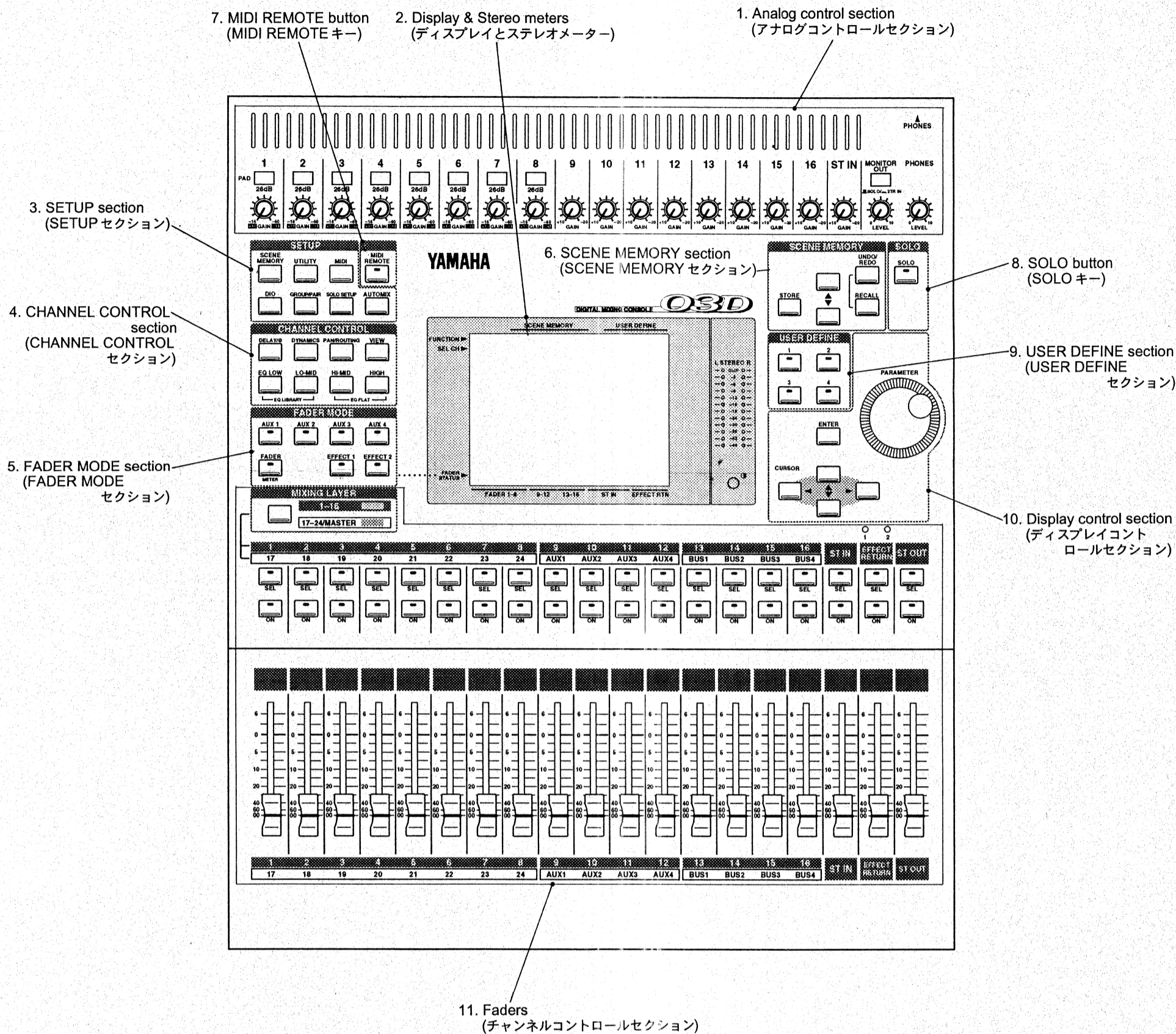


See Page 23.



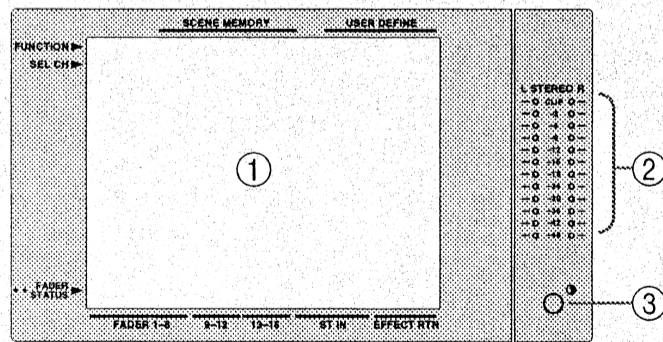
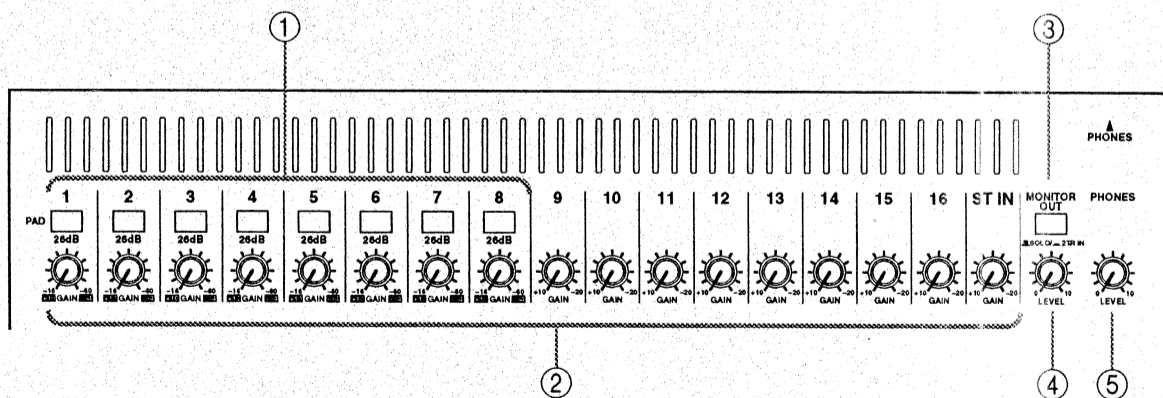
PANEL LAYOUT (パネルレイアウト)

TOP PANEL (トップパネル)



1. Analog control section (アナログコントロールセクション)

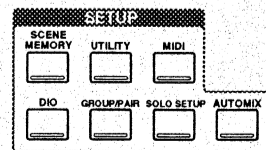
2. Display & Stereo meters (ディスプレイとステレオメーター)



- ① 26dB PAD switches (input channels 1 to 8)
- ② GAIN controls
- ③ MONITOR OUT switch
- ④ MONITOR OUT LEVEL control
- ⑤ PHONES LEVEL control

- ① 26dB PAD スイッチ (インプットチャンネル 1~8)
- ② GAIN コントロール
- ③ MONITOR OUT スイッチ
- ④ MONITOR OUT LEVEL コントロール
- ⑤ PHONES LEVEL コントロール

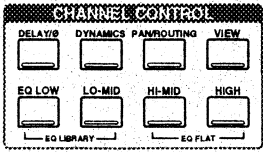
3. SETUP section (SETUP セクション)



SETUP buttons : SCENE MEM, SOLO SETUP, AUTOMIX

SETUP セクション : SCENE M, DIO キー、GROUP/PAIR キー、

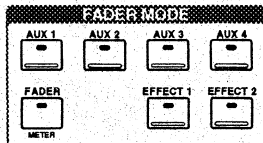
4. CHANNEL CONTROL Section (CHANNEL CONTROL セクション)



CHANNEL CONTROL buttons : DELAY/ ϕ , DYNAMICS, PAN/ROUTING, VIEW, EQ LOW, LO-MID, HI-MID, HIGH, EQ LIBRARY (EQ LOW+LO-MID)

CHANNEL CONTROL セクション : DELAY/ ϕ キー、DYNAMICS キー、PAN/ROUTING キー、VIEW キー、EQ LOW キー、LO-MID キー、HI-MID キー、HIGH キー、EQ LIBRARY (EQ LOW キー+LO-MID キー)

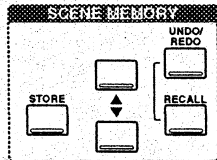
5. FADER MODE section (FADER MODE セクション)



FADER MODE buttons : AUX 1 to 4, FADER-METER, EFFECT 1 and 2

FADER MODE セクション : AUX 1~AUX 4 キー、FADER-METER キー、EFFECT 1 キー、EFFECT 2 キー

6. SCENE MEMORY section (SCENE MEMORY セクション)



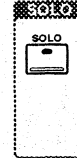
SCENE MEMORY buttons : STORE, \blacktriangle , \blacktriangledown , UNDO/REDO, RECALL

SCENE MEMORY セクション : STORE キー、 \blacktriangle キー、 \blacktriangledown キー、UNDO/REDO キー、RECALL キー

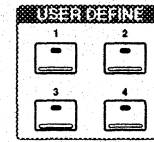
7. MIDI REMOTE button (MIDI REMOTE キー)



8. SOLO button (SOLO キー)



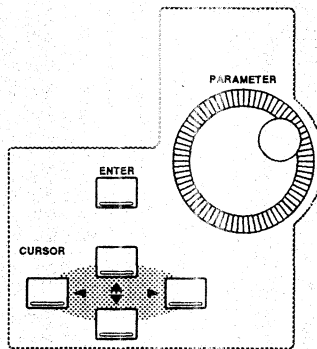
9. USER DEFINE section (USER DEFINE セクション)



USER DEFINE buttons : 1 to 4

USER DEFINE セクション : 1~4 キー

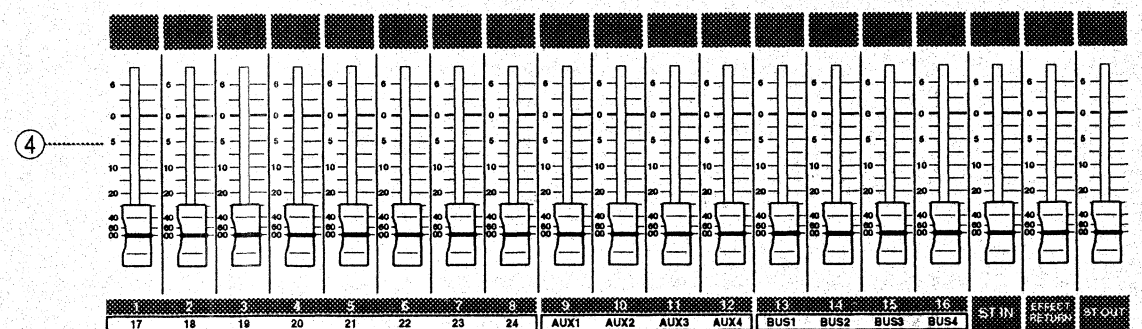
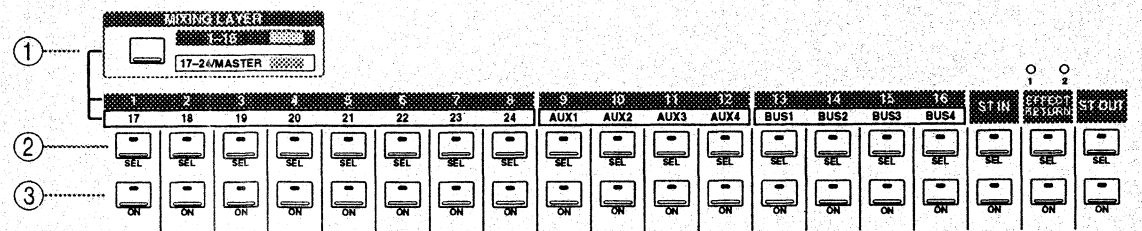
10. Display control section (ディスプレイコントロールセクション)



① PARAMETER wheel ② ENTER button ③ CURSOR buttons

① PARAMETERダイヤル ② ENTER キー ③ CURSOR キー

11. Faders (チャンネルコントロールセクション)



① MIXING LAYER button ② SEL buttons
③ ON buttons ④ Faders

① MIXING LAYER キー ② SEL キー ③ ON キー
④ フェーダー

- ① LCD (Liquid crystal display)
- ② Stereo output meters
- ③ Contrast control

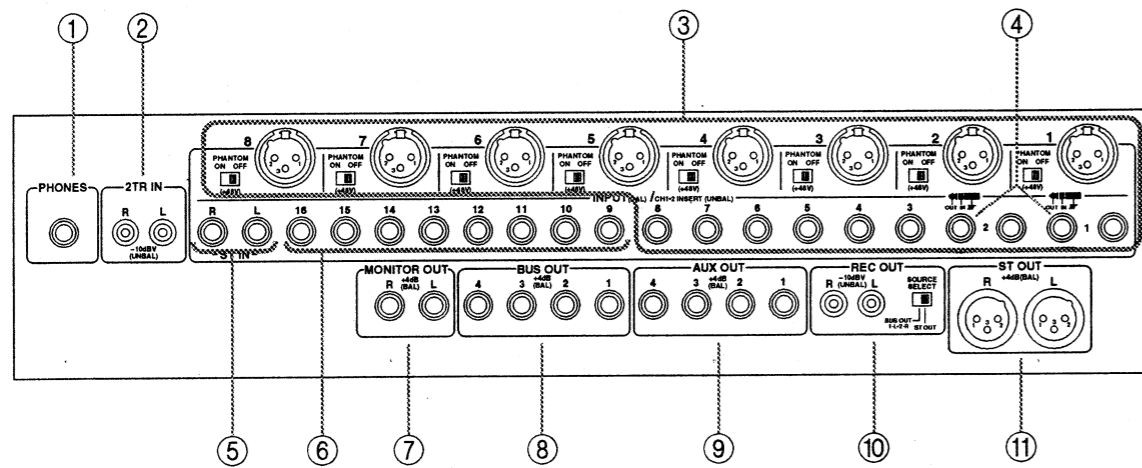
- ① ディスプレイ
- ② ステレオ出力レベルメーター
- ③ コントラストコントロール

SCENE MEMORY, UTILITY, MIDI, DIO, GROUP/PAIR, MIX

SCENE MEMORY キー、UTILITY キー、MIDI キー、DIO キー、GROUP/PAIR キー、SOLO SETUP キー、AUTOMIX キー

● REAR PANEL (リアパネル)

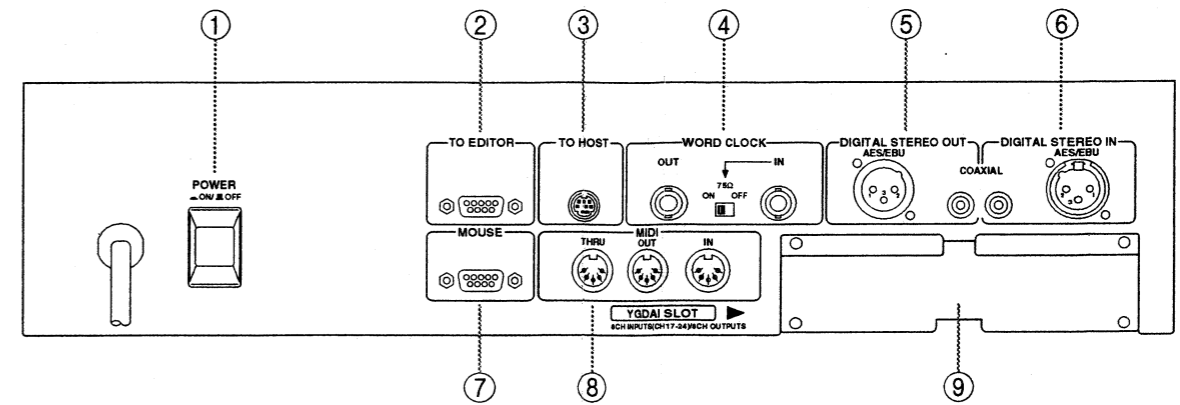
12. Rear panel — top half (リアパネル上部)



- ① PHONES connector
- ② 2TR IN (L and R) connectors
- ③ input channels (1 to 8)
- ④ Insert connectors (input channels 1 and 2)
- ⑤ ST IN (L and R) connectors
- ⑥ Input channels (9 to 16)
- ⑦ MONITOR OUT (L and R) connectors
- ⑧ BUS OUT (1 to 4) connectors
- ⑨ AUX OUT (1 to 4) connectors
- ⑩ REC OUT (L and R) connectors
- ⑪ ST OUT (L and R) connectors

- ① PHONES 端子
- ② 2TR IN 端子 (L、R)
- ③ インプット端子 (チャンネル1~8)
- ④ インサート端子 (インプットチャンネル1、2のみ)
- ⑤ ST IN 端子 (L、R)
- ⑥ インプット端子 (チャンネル9~16)
- ⑦ MONITOR OUT 端子 (L、R)
- ⑧ BUS OUT 端子 (1~4)
- ⑨ AUX OUT 端子 (1~4)
- ⑩ REC OUT 端子 (L、R)
- ⑪ ST OUT 端子 (L、R)

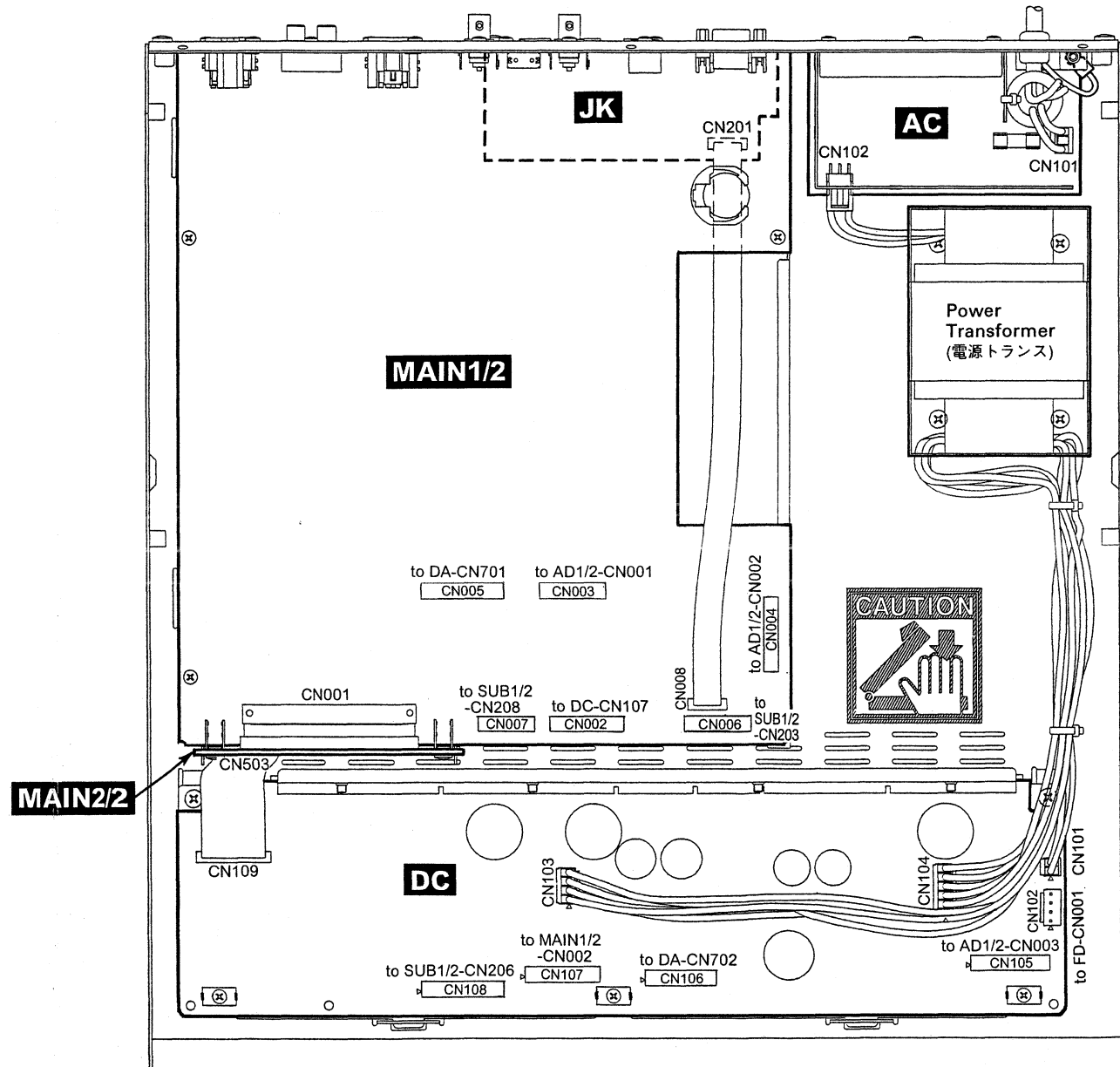
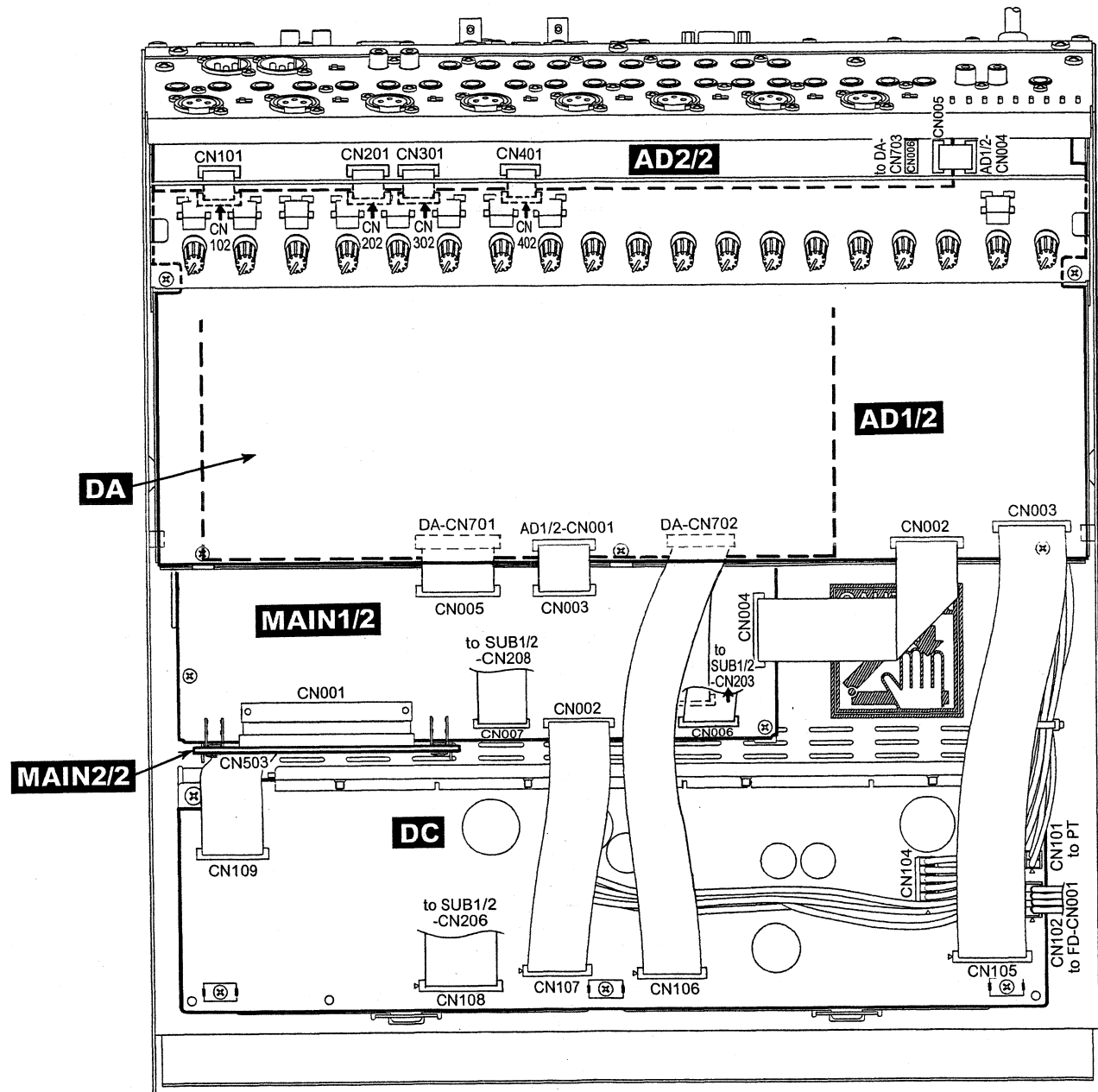
13. Rear panel — lower half (リアパネル下部)



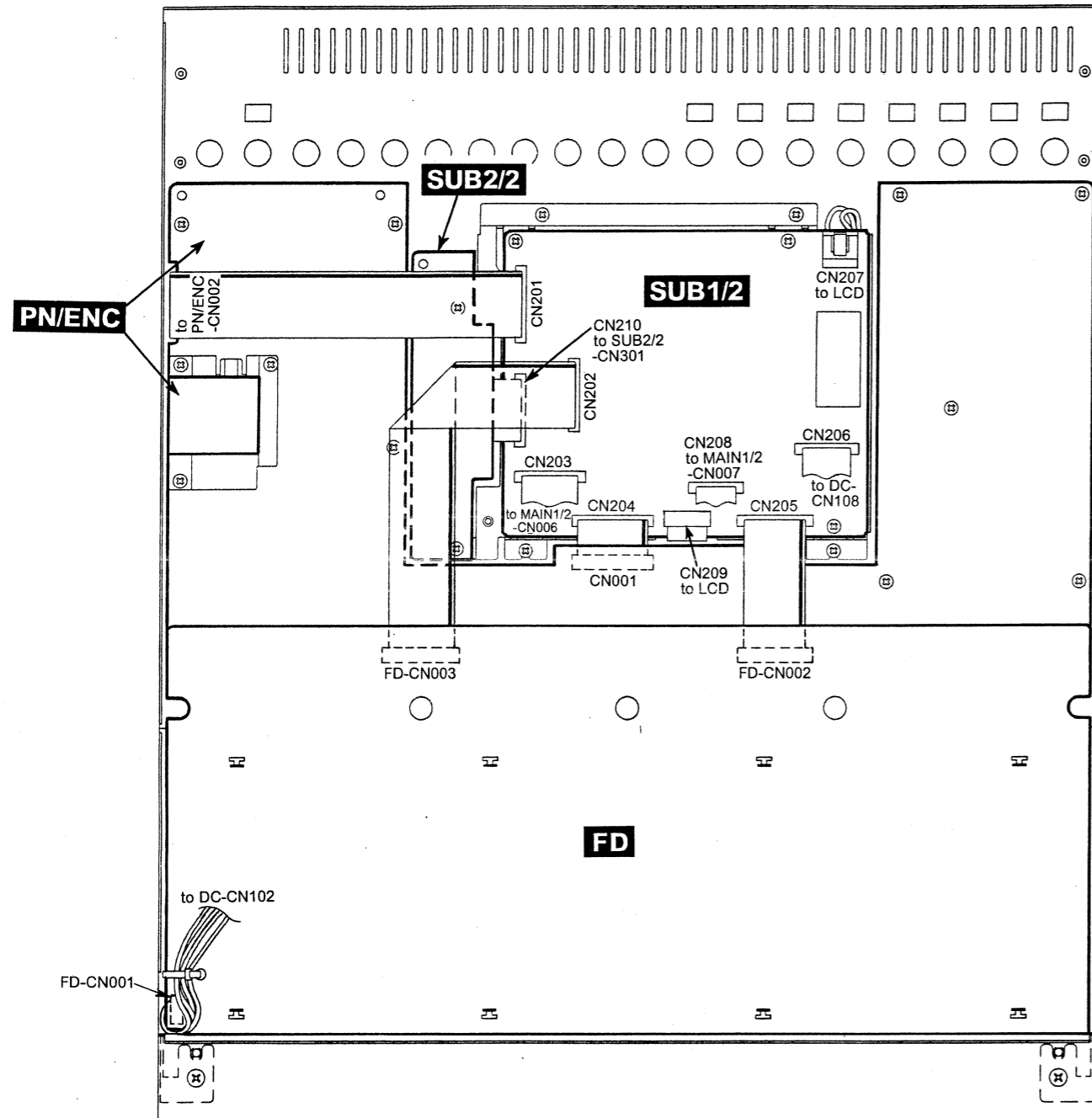
- ① POWER switch
- ② TO EDITOR connector
- ③ TO HOST connector
- ④ WORD CLOCK (IN and OUT) connectors
- ⑤ DIGITAL STEREO OUT (AES/EBU and COAXIAL) connectors
- ⑥ DIGITAL STEREO IN (AES/EBU and COAXIAL) connectors
- ⑦ MOUSE connector
- ⑧ MIDI (IN, OUT and THRU) connectors
- ⑨ YGDAI slot

- ① POWER スイッチ
- ② TO EDITOR 端子
- ③ TO HOST 端子
- ④ WORD CLOCK 端子 (IN、OUT)
- ⑤ DIGITAL STEREO OUT 端子 (AES/EBU、COAXIAL)
- ⑥ DIGITAL STEREO IN 端子 (AES/EBU、COAXIAL)
- ⑦ MOUSE 端子
- ⑧ MIDI 端子 (IN、OUT、THRU)
- ⑨ YGDAI スロット

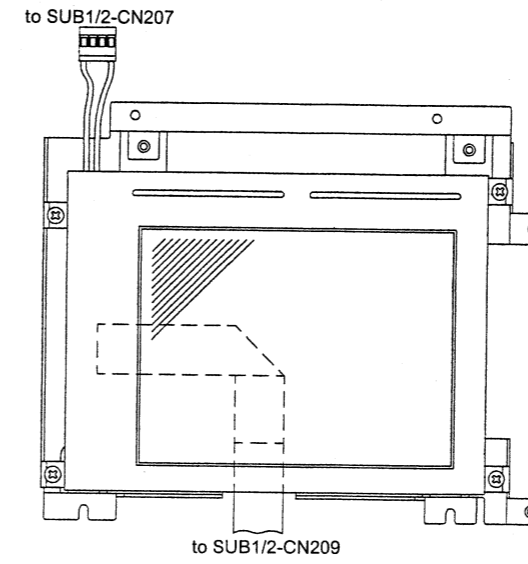
■ CIRCUIT BOARD WIRING (基板結線図)



・ Control Panel Assembly (コンパネ Ass'y)
 <Bottom view>



・ LCD (液晶ディスプレイ)



LCD (液

AD2/2

DA

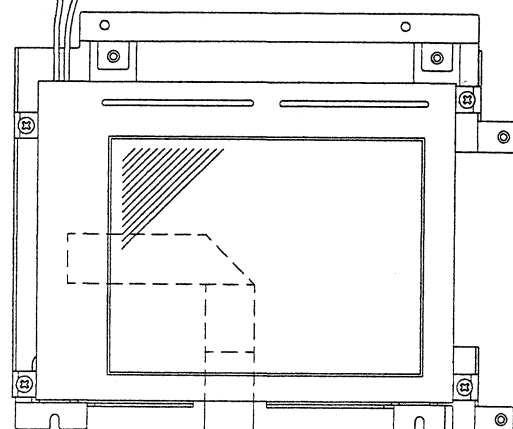
MAIN1/2

MAIN2/2

DC

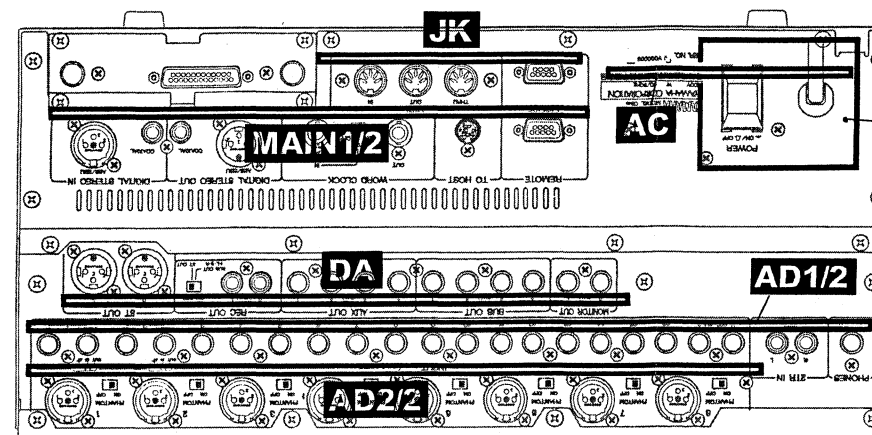
・LCD (液晶ディスプレイ)

to SUB1/2-CN207



to SUB1/2-CN209

■ CIRCUIT BOARD LAYOUT (ユニットレイアウト)



Power Transformer (電源トランス)

LCD (液晶ディスプレイ) SUB1/2 JK SUB2/2 AC

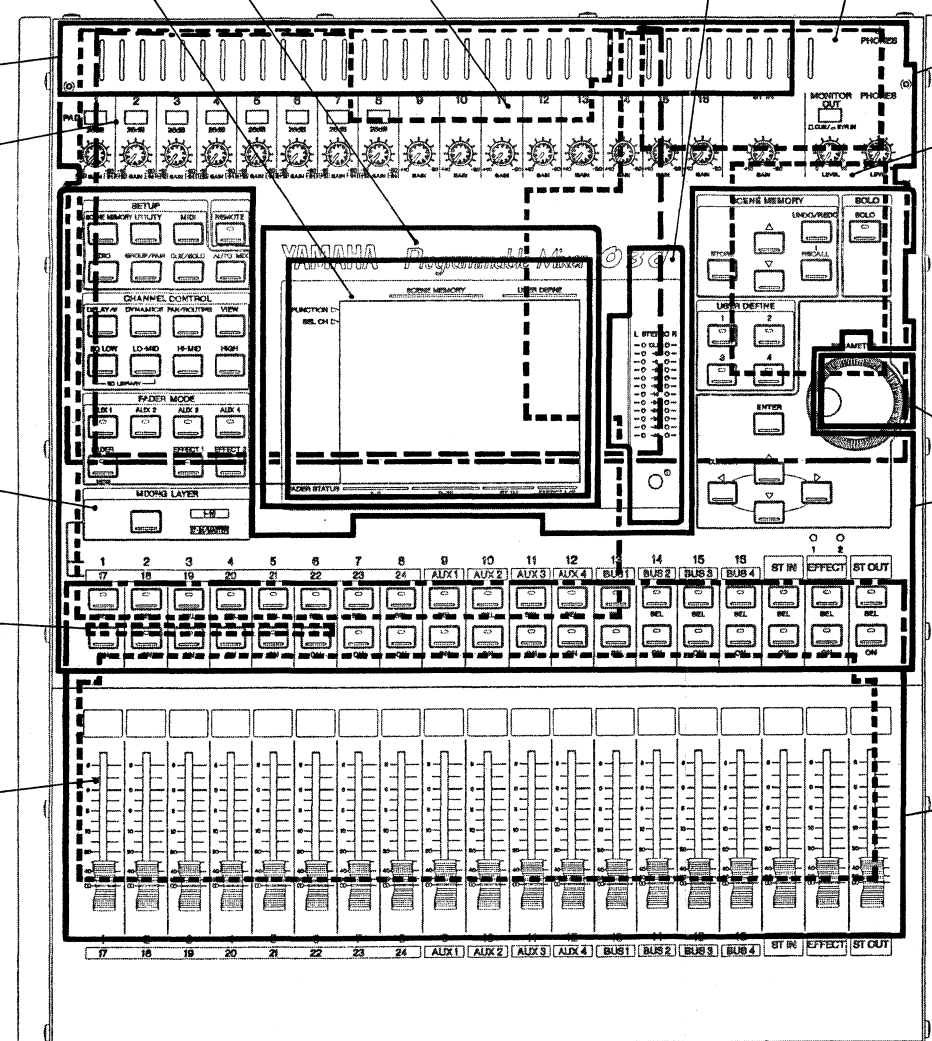
AD2/2

DA

MAIN1/2

MAIN2/2

DC



Power Transformer (電源トランス)

PN/ENC

FD

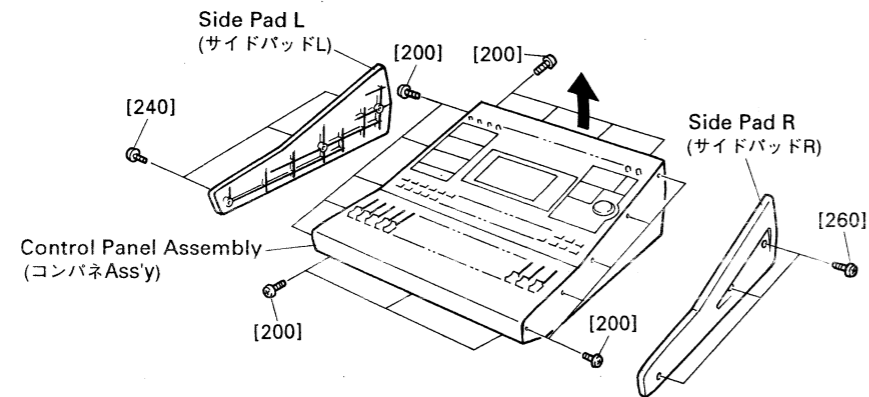
■ DISASSEMBLY PROCEDURE (分解手順)

1 Control Panel Assembly

- 1-1 Remove the three (3) screws marked [240] and the three (3) screws marked [260]; remove the left and right side pads (Fig. 1)
- 1-2 Remove the seventeen (17) screws marked [200]; open the control panel assembly. (Fig. 2)
- 1-3 Prepare a stay to support the control panel assembly, so that you can check the unit inside the console.
- ※ This will give you access to the units listed below:
AD 1/2 circuit board, AD 2/2 circuit board, DC circuit board, FD circuit board, PN circuit board, SUB 1/2 circuit board, SUB 2/2 circuit board.
- 1-4 To remove the control panel assembly: Lift the control panel assembly and unhook it by slightly lifting, sliding, then pushing downward.

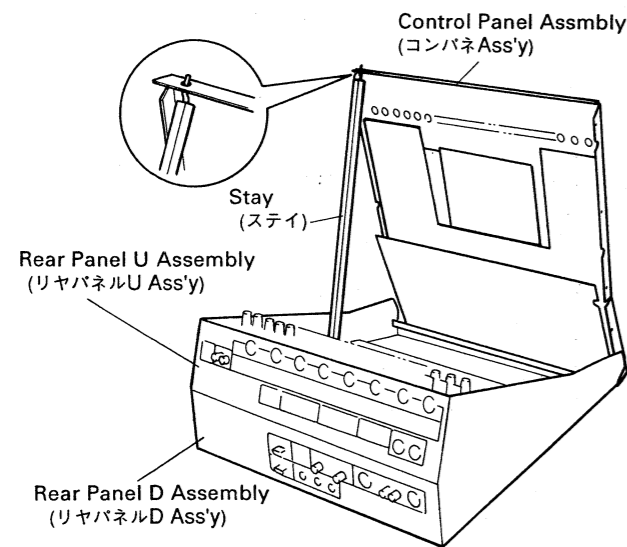
1 コンパネ Ass'y の開け方と外し方

- 1-1 [240]のネジ3本と[260]のネジ3本を外して、サイドパッドLとサイドパッドRを外します。(図1)
- 1-2 [200]のネジ17本を外して、コンパネ Ass'yを手前に開けます。(図2)
- 1-3 図2のように本体にステイを立てかけ、ステイの先端の鉤の部分コンパネ Ass'yに引っかけて、コンパネ Ass'yを支えます。(図2)
- * コンパネ Ass'yを開けた状態で、DC, AD 1/2, AD 2/2, SUB 1/2, SUB 2/2, FD, PNなどのシートをチェックすることが出来ます。
- 1-4 コンパネ Ass'yを外す場合は、まずコンパネ Ass'yを手前に起こし、図3のようにフックの部分本体のナットから外して下さい。(図3)

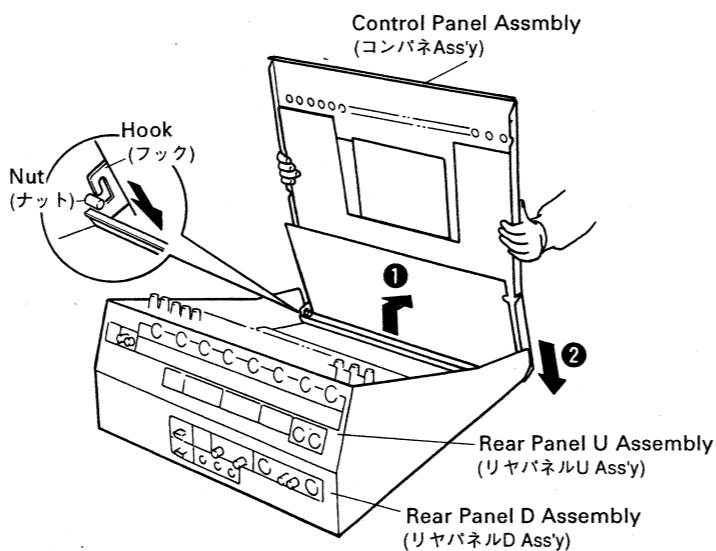


[200]: Bind Tapping Screw-B A4.0X8 MFZN2BL (VC688800) バインドBタイト
[240]: Bind Head Screw 4.0X8 MFZN2BL (EG340360) +バインド小ネジ
[260]: Bind Head Screw 4.0X8 MFZN2BL (EG340360) +バインド小ネジ

(Fig. 1)



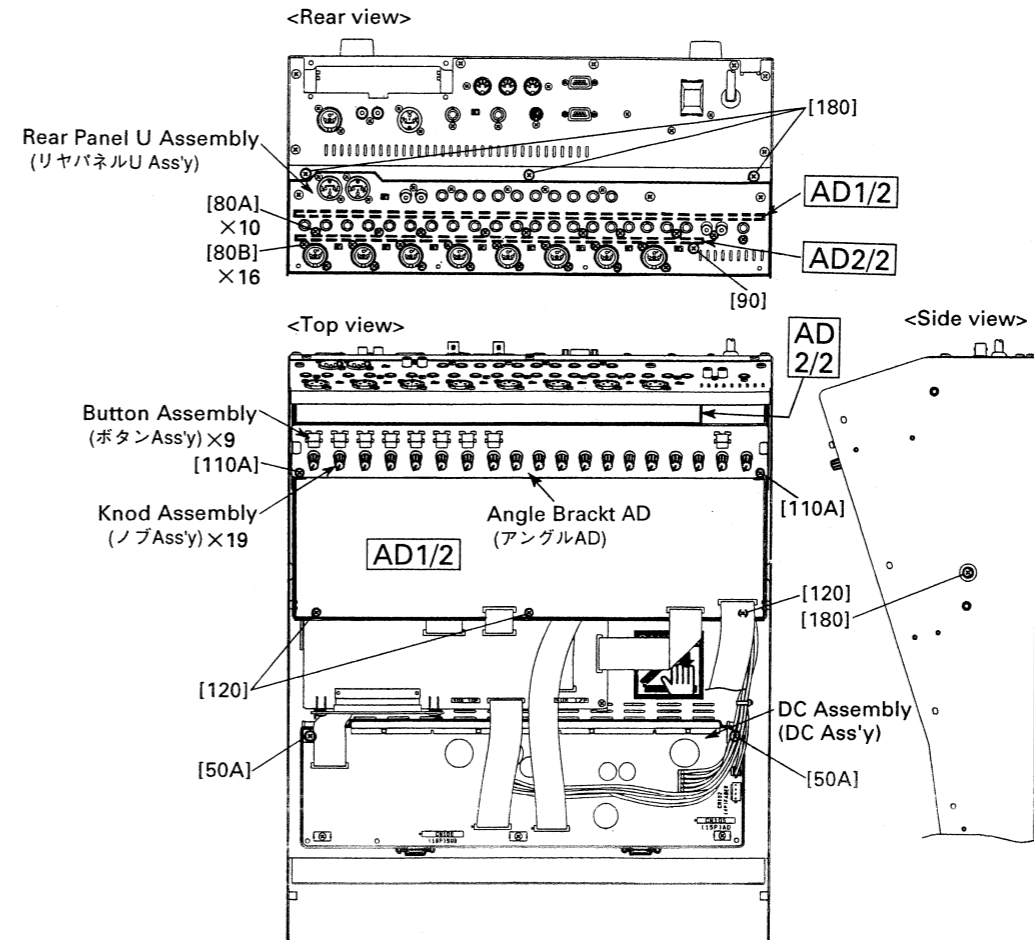
(Fig. 2)



(Fig. 3)

2 Rear Panel U Assembly

- 2-1 Open the control panel assembly. (See procedure 1.)
- 2-2 Remove the five (5) screws marked [180]; remove the rear panel U assembly. (Fig. 4)
- 2-3 Stand the rear assembly, then fix it with the screw marked [180] to check the unit. (Fig. 5)
- ※ This will give you access to the units listed below:
MAIN 1/2 circuit board, DA circuit board, AC circuit board, Power transformer, Fuses.

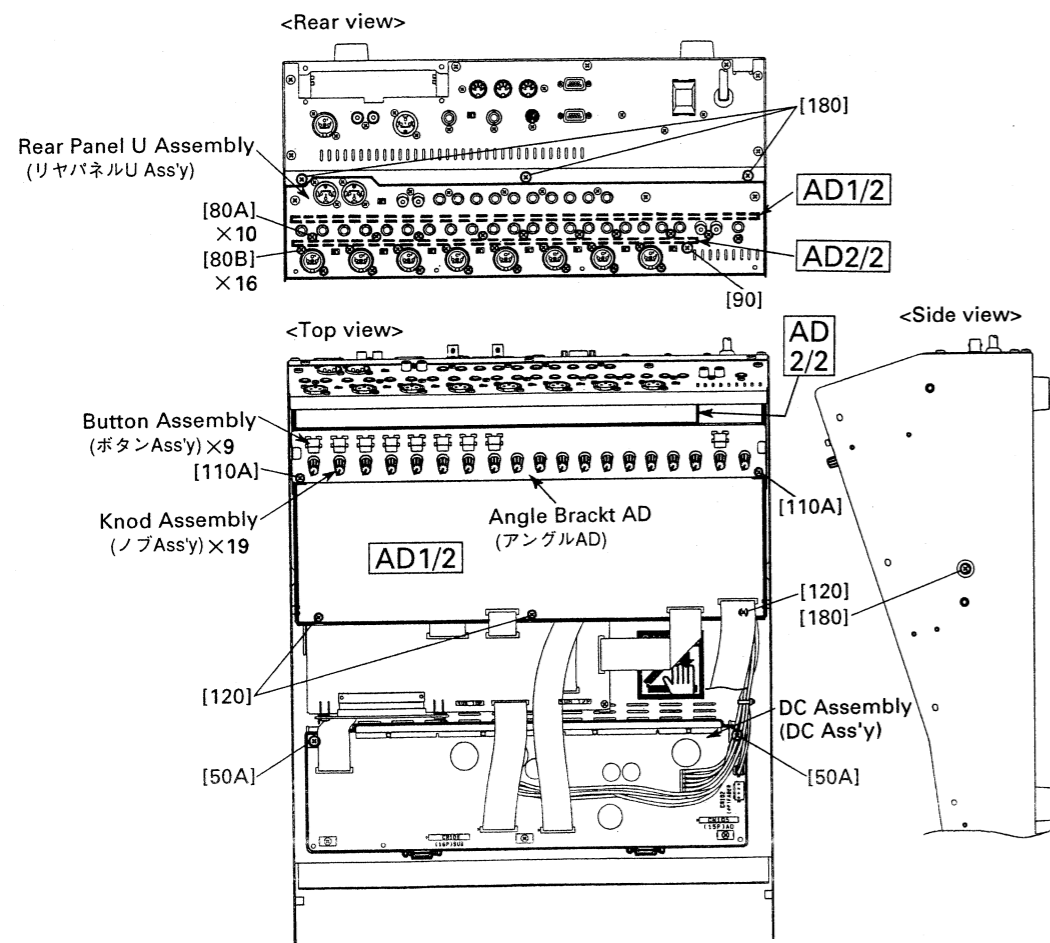


[50A]: Bind Tapping Screw-B A4.0X8 MFZN2BL (VC688800) バインドBタイト
[80]: Bonding Tapping Screw-B 3.0X8 MFZN2BL (VN413300) ボンディングBタイト
[90]: Bonding Screw 4.0X8 MFZN2BL (VS154500) +ボンディング小ネジ
[110A]: Bonding Tapping Screw-B 3.0X8 MFZN2BL (VN413300) ボンディングBタイト
[120]: Bind Head Tapping Screw-B 3.0X6 MFZN2BL (EP600230) +バインドBタイト
[180]: Bind Tapping Screw-B A4.0X8 MFZN2BL (VC688800) バインドBタイト

(Fig. 4)

2 リアパネル U Ass'y

- 2-1 コンパネ Ass'yを開けます。(1項参照)
- 2-2 [180]のネジを本体の後ろ側から3本、左右の横側から1本ずつの合わせて5本外し、リアパネルU Ass'yを外します。(図4)
- 2-3 リアパネルU Ass'yを取り外さないで、図5のようにリアパネルU Ass'yを立てて作業することもできます。その場合、リアパネルU Ass'yの左側のネジ穴1ヶ所を[180]のネジで止めておきます。(図5)
- * リアパネルU Ass'yを開けた状態で、MAIN 1/2, DA, ACシートのチェックや電源トランス、リチウム電池、ヒューズなどのチェックや交換することが出来ます。



[50A]: Bind Tapping Screw-B A4.0X8 MFZN2BL (VC688800) バインドBタイト
 [80]: Bonding Tapping Screw-B 3.0X8 MFZN2BL (VN413300) ボンディングBタイト
 [90]: Bonding Screw 4.0X8 MFZN2BL (VS154500) +ボンディング小ネジ
 [110A]: Bonding Tapping Screw-B 3.0X8 MFZN2BL (VN413300) ボンディングBタイト
 [120]: Bind Head Tapping Screw-B 3.0X6 MFZN2BL (EP600230) +バインドBタイト
 [180]: Bind Tapping Screw-B A4.0X8 MFZN2BL (VC688800) バインドBタイト

(Fig. 4)

2 Rear Panel U Assembly

- 2-1 Open the control panel assembly. (See procedure 1.)
 2-2 Remove the five (5) screws marked [180]; remove the rear panel U assembly. (Fig. 4)
 2-3 Stand the rear assembly, then fix it with the screw marked [180] to check the unit. (Fig. 5)
 ※ This will give you access to the units listed below:
 MAIN 1/2 circuit board, DA circuit board, AC circuit board, Power transformer, Fuses.

2 リアパネル U Ass'y

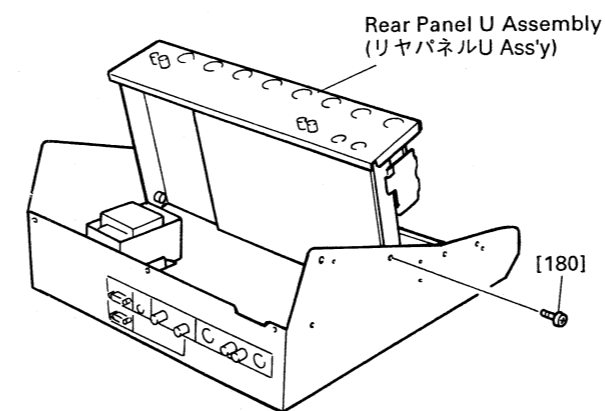
- 2-1 コンパネ Ass'y を開けます。(1項参照)
 2-2 [180]のネジを本体の後ろ側から3本、左右の横側から1本ずつの合わせて5本外し、リアパネル U Ass'y を外します。(図4)
 2-3 リアパネル U Ass'y を取り外さないで、図5のようにリアパネル U Ass'y を立てて作業することもできます。その場合、リアパネル U Ass'y の左側のネジ穴1ヶ所を[180]のネジで止めておきます。(図5)
 * リアパネル U Ass'y を開けた状態で、MAIN 1/2, DA, AC シートのチェックや電源トランス、リチウム電池、ヒューズなどのチェックや交換することが出来ます。

3 DC Circuit Board

- 3-1 Open the control panel assembly. (See procedure 1.)
 3-2 Remove the two (2) screws marked [50A]; remove the DC assembly. (Fig. 4)
 3-3 Remove the four (4) screws marked [50B] and the three (3) screws marked [60]; remove the DC circuit board. (Fig. 6)

4 AD 1/2 Circuit Board and AD 2/2 Circuit Board

- 4-1 Open the control panel assembly. (See procedure 1.)
 4-2 Remove the nineteen (19) knob assemblies and the nine (9) buttons from AD 1/2 circuit board. (Fig. 4)
 4-3 Remove the two (2) screws marked [110A]; remove the DC assembly pulling toward to you. (Fig. 4)
 4-4 Remove the ten (10) screws marked [80A] and the three (3) screws marked [120]; remove the AD 1/2 circuit board. (Fig. 4)
 4-5 Remove the sixteen (16) screws marked [80B] and the screw marked [90]; remove the AD 2/2 circuit board. (Fig. 4)



(Fig. 5)

[180]: Bind Tapping Screw-B A4.0X8 MFZN2BL (VC688800) バインドBタイト

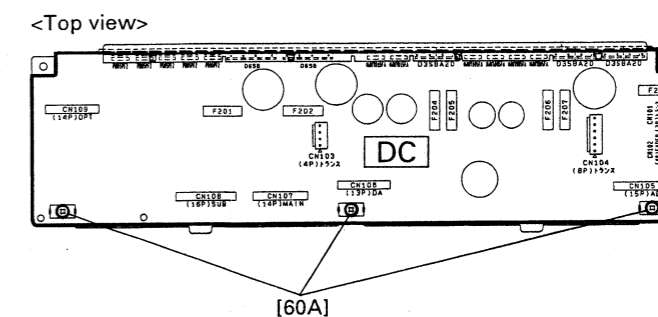
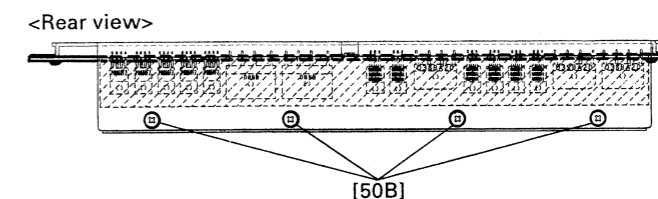
3 DC シート

- 3-1 コンパネ Ass'y を開けます。(1項参照)
 3-2 [50A]のネジ2本を外して、DC Ass'y を外します。(図4)
 3-3 [50B]のネジ4本と[60A]のネジ3本を外して、DC Ass'y から DC シートを外します。(図6)

4 AD 1/2 シート、AD 2/2 シート

- 4-1 コンパネ Ass'y を開けます。(1項参照)
 4-2 AD 1/2 シートについているノブ Ass'y 19個とボタン Ass'y 9個を抜きます。(図4)
 4-3 [110A]のネジ2本を外して、アングル AD を手前に引くようにして外します。(図4)
 4-4 本体の後ろ側から[80A]のネジ10本を外し、[120]のネジ3本を外して、AD 1/2 シートを外します。(図4)
 4-5 本体の後ろ側から[80B]のネジ16本と[90]のネジ1本を外して、AD 2/2 シートを外します。(図4)

• DC Assembly (DC Ass'y)



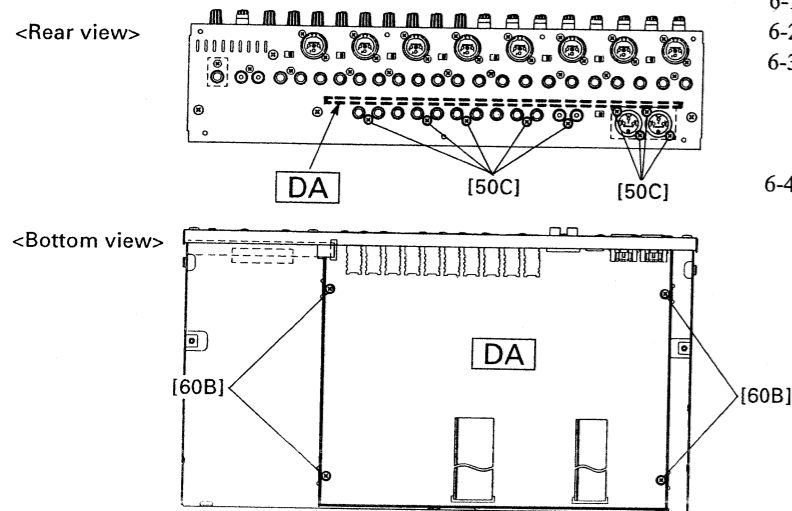
(Fig. 6)

[50B]: Pan Head Screw SP 4.0X8 MFZN2Y (EL200020) +ナベ小ネジ
 [60A]: Bind Head Tapping Screw-B 3.0X8 MFZN2BL (EP600190) +バインドBタイト

5 DA Circuit Board

- 5-1 Open the control panel assembly. (See procedure 1.)
- 5-2 Remove the rear panel assembly U. (See procedure 2.)
- 5-3 Put the rear panel U assembly upside down; remove the nine (9) screws marked [50C] and the four (4) screws marked [60B]; remove the DA circuit board. (Fig. 7)

• Rear Panel U Assembly (リアパネル U Ass'y)



[50C]: Bonding Tapping Screw-B 3.0X8 MFZN2BL (VN413300) ボンディングBタイト
[60B]: Bind Head Tapping Screw-B 3.0X6 MFZN2BL (EP600230) +バインドBタイト

(Fig. 7)

6 MAIN 1/2 Circuit Board and MAIN 2/2 Circuit Board

- 6-1 Open the control panel assembly. (See procedure 1.)
- 6-2 Remove the rear panel assembly U. (See procedure 2.)
- 6-3 Remove the five (5) screws marked [140], the three (3) screws marked [150], the two (2) screws marked [A] and the four (4) screws marked [160A]; remove the MAIN 1/2 circuit board together with MAIN 2/2 circuit board. (Fig. 8)
- 6-4 Remove the two (2) screws marked [130]; remove the MAIN 2/2 circuit board from the MAIN 1/2 circuit board. (Fig. 8)

7 JK Circuit Board

- 7-1 Open the control panel assembly. (See procedure 1.)
- 7-2 Remove the rear panel assembly U. (See procedure 2.)
- 7-3 Remove the MAIN 1/2 circuit board and the MAIN 2/2 circuit board. (See procedure 6.)
- 7-4 Remove the two (2) screws marked [110B] and the two (2) screws marked [B]; remove the JK circuit board. (Fig. 8)

5 DA シート

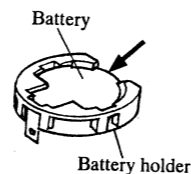
- 5-1 コンパネ Ass'y を開けます。(1 項参照)
- 5-2 リアパネル U Ass'y を外します。(2 項参照)
- 5-3 リアパネル U Ass'y を裏返し、[50C]のネジ9本と[60B]のネジ4本を外して、DA シートを外します。(図7)

6 MAIN 1/2 シート、MAIN 2/2 シート

- 6-1 コンパネ Ass'y を開けます。(1 項参照)
- 6-2 リアパネル U Ass'y を外します。(2 項参照)
- 6-3 本体の後ろ側から[140]のネジ5本と[150]のネジ3本、[A]のネジ2本を外し、そして[160A]のネジ4本を外して、MAIN1/2 シートと MAIN 2/2 シートを共に外します。(図8)
- 6-4 [130]のネジ2本を外して、MAIN 1/2 シートから MAIN 2/2 シートを外します。(図8)

※The lithium battery is not a part of the MAIN 1/2 circuit board.
(リチウム電池は、MAIN 1/2 シートの構成部品ではありません。)

- Notice for back-up battery removal
Push the battery as shown in figure, then the battery will pop up.
- Druk de batterij naar beneden zoals aangeven in de tekening, de batterij springt dan naar voren.



7 JK シート

- 7-1 コンパネ Ass'y を開けます。(1 項参照)
- 7-2 リアパネル U Ass'y を外します。(2 項参照)
- 7-3 MAIN 1/2 シートと MAIN 2/2 シートを共に外します。(6 項参照)
- 7-4 本体の後ろ側から[110B]のネジ2本と[B]のネジ2本を外して、JK シートを外します。(図8)

8 AC Circuit Board

- 8-1 Open the control panel assembly. (See procedure 1.)
- 8-2 Remove the rear panel assembly U. (See procedure 2.)
- 8-3 Remove the three (3) screws marked [30A]; remove the AC circuit board. (Fig. 8)

9 Power Transformer

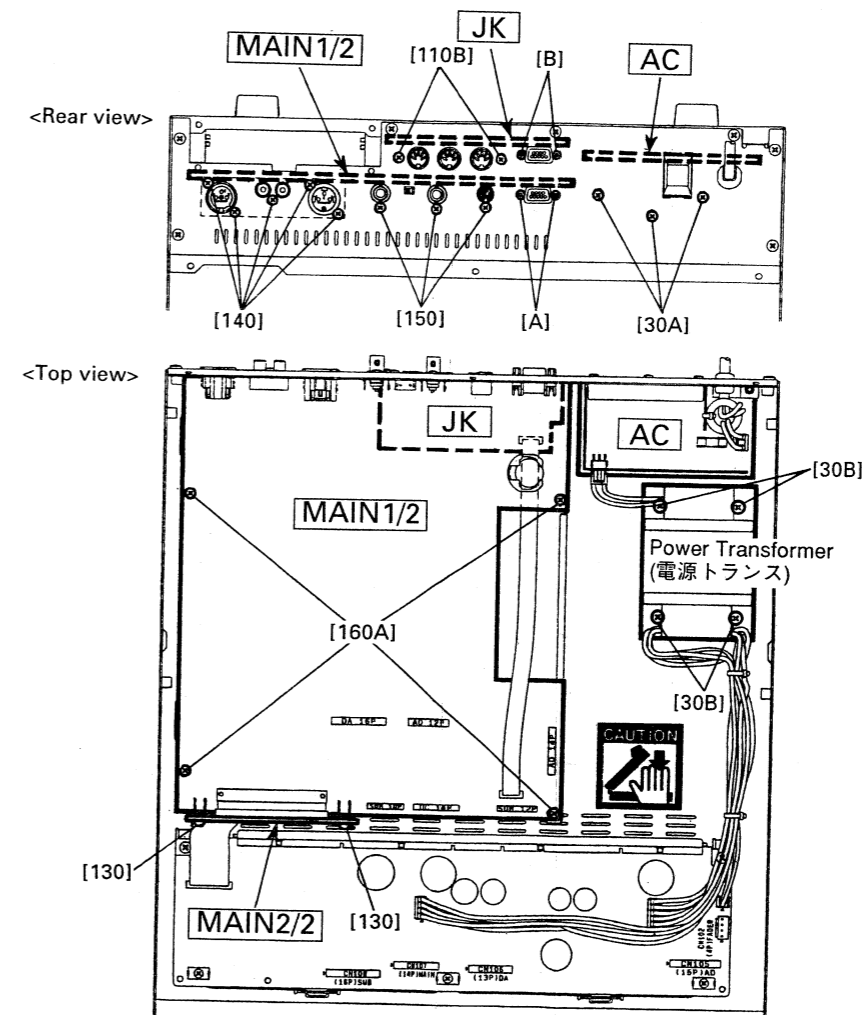
- 9-1 Open the control panel assembly. (See procedure 1.)
- 9-2 Remove the rear panel assembly U. (See procedure 2.)
- 9-3 Remove the four (4) screws marked [30B]; remove the power transformer. (Fig. 8)

8 AC シート

- 8-1 コンパネ Ass'y を開けます。(1 項参照)
- 8-2 リアパネル U Ass'y を外します。(2 項参照)
- 8-3 本体の後ろ側から[30A]のネジ3本を外して、AC シートを外します。(図8)

9 電源トランス

- 9-1 コンパネ Ass'y を開けます。(1 項参照)
- 9-2 リアパネル U Ass'y を外します。(2 項参照)
- 9-3 [30B]のネジ4本を外して、電源トランスを外します。(図8)



[30A]: Bonding Tapping Screw-B 3.0X8 MFZN2BL (VN413300) ボンディングBタイト
[30B]: Bind Head Tapping Screw-B A4.0X8 MFZN2BL (VC688800) +バインドBタイト
[110B]: Bonding Tapping Screw-B 3.0X8 MFZN2BL (VN413300) ボンディングBタイト
[130]: Bind Head Screw 4.0X8 MFZN2BL (EG340360) +バインド小ネジ
[140]: Bonding Tapping Screw-B 3.0X8 MFZN2BL (VN413300) ボンディングBタイト
[150]: Bonding Screw 3.0X8 MFZN2BL (VP157800) +ボンディング小ネジ
[160]: Bind Head Tapping Screw-B 3.0X6 MFZN2BL (EP600230) +バインドBタイト

(Fig. 8)

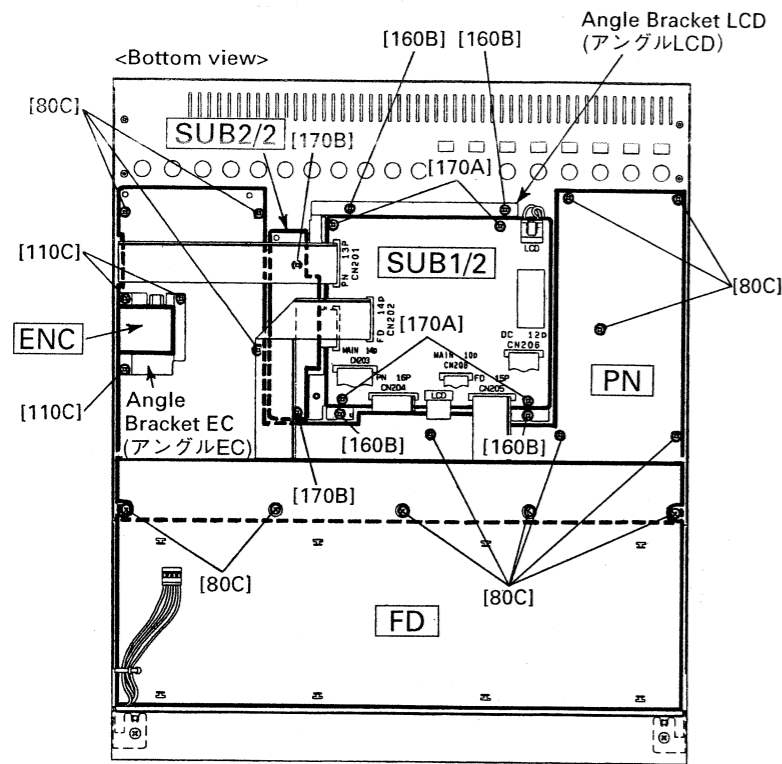
10 SUB 1/2 Circuit Board and SUB 2/2 Circuit Board

- 10-1 Open the control panel assembly. (See procedure 1.)
- 10-2 Remove the four (4) screws marked [170A]; remove the SUB 1/2 circuit board. (Fig. 9)
- 10-3 Remove the two (2) screws marked [170B]; remove the SUB 2/2 circuit board. (Fig. 9)

11 ENC Circuit Board

- 11-1 Open the control panel assembly. (See procedure 1.)
- 11-2 Remove the encoder knob.
- 11-3 Remove the three (3) screws marked [110C]; remove the ENC circuit board together with angle. (Fig. 9)
- 11-4 Remove the hexagonal nut marked [100]; remove the ENC circuit board from angle. (Fig. 10)

• Control Panel U Assembly (コンパネ Ass'y)



- [80C]: Bind Head Tapping Screw-B 3.0X6 MFZN2BL (EP600230) + バインドBタイト
- [110C]: Bind Head Tapping Screw-B 3.0X6 MFZN2BL (EP600230) + バインドBタイト
- [160B]: Bind Head Tapping Screw-B 3.0X6 MFZN2BL (EP600230) + バインドBタイト
- [170]: Bind Head Tapping Screw-B 3.0X6 MFZN2BL (EP600230) + バインドBタイト

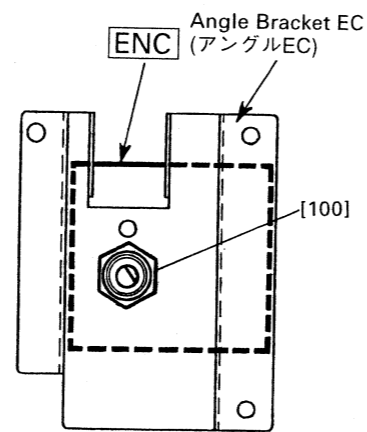
(Fig. 9)

10 SUB 1/2 シートと SUB 2/2 シート

- 10-1 コンパネ Ass'y を開けます。(1 項参照)
- 10-2 [170A]のネジ 4 本を外して、SUB 1/2 シートを外します。(図 9)
- 10-3 [170B]のネジ 2 本を外して、SUB 2/2 シートを外します。(図 9)

11 ENC シート

- 11-1 コンパネ Ass'y を開けます。(1 項参照)
- 11-2 パネルの表側から、エンコーダーつまみを抜きます。
- 11-3 [110C]のネジ 3 本を外して、ENC シートと共にアングル EC を外します。(図 9)
- 11-4 [100]の六角ナット 1 個を外して、アングル EC から ENC シートを外します。(図 10)



- [100]: Hexagonal Nut 9.0 11X2 MFZN2BL (VJ388000) 特殊六角ナット

(Fig. 10)

12 PN Circuit Board

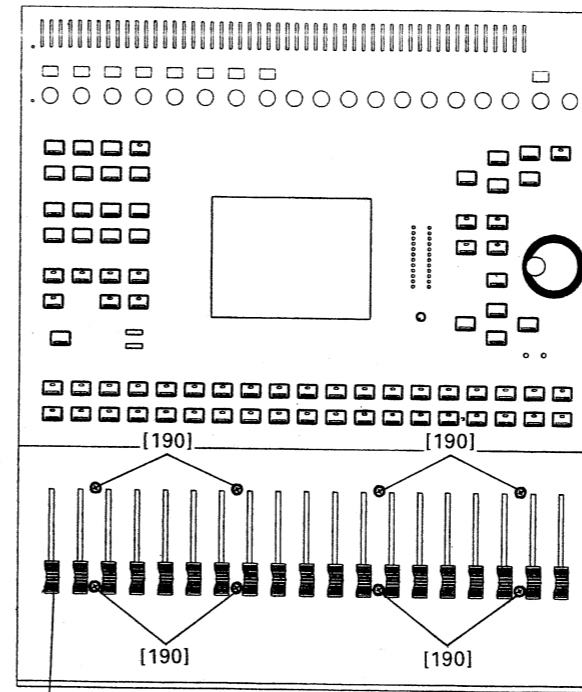
- 12-1 Open the control panel assembly. (See procedure 1.)
- 12-2 Remove the ENC circuit board together with angle. (See procedure 11-3)
- 12-3 Remove the fourteen (14) screws marked [80C]; remove the PN circuit board. (Fig. 9)

13 FD Circuit Board

- 13-1 Open the control panel assembly. (See procedure 1.)
- 13-2 Remove the nineteen fader knobs.
- 13-3 Remove the eight (8) screws marked [190]; remove the FD circuit board. (Fig. 9 and Fig. 11)

14 LCD

- 14-1 Open the control panel assembly. (See procedure 1.)
- 14-2 Remove the four (4) screws marked [160B]; remove the LCD together with angle. (Fig. 9)
- 14-3 Remove the four (4) screws marked [160C]; remove the LCD from angle. (Fig. 12)



- Fader Knob (フェーダーノブ) ×19

- [190]: Flat Head Screw 3.0X6 MFZN2BL (VS182000) + 皿小ネジ

(Fig. 11)

12 PN シート

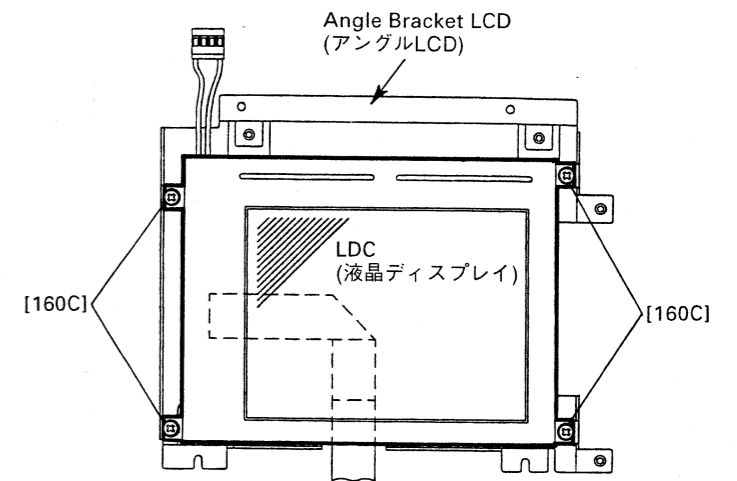
- 12-1 コンパネ Ass'y を開けます。(1 項参照)
- 12-2 ENC シートと共にアングル EC を外します。(11-3 項参照)
- 12-3 [80C]のネジ 14 本を外して、PN シートを外します。(図 9)

13 FD シート

- 13-1 コンパネ Ass'y を開けます。(1 項参照)
- 13-2 パネルの表側から、フェーダーノブ 19 個を抜きます。
- 13-3 パネルの表側から[190]のネジ 8 本を外して、FD シートを外します。(図 9、図 11)

14 液晶ディスプレイ

- 14-1 コンパネ Ass'y を開けます。(1 項参照)
- 14-2 [160B]のネジ 4 本を外して、液晶ディスプレイと共にアングル LCD を外します。(図 9)
- 14-3 [160C]のネジ 4 本を外して、アングル LCD から液晶ディスプレイを外します。(図 12)



- [160C]: Bind Head Tapping Screw-B 3.0X6 MFZN2BL (EP600230) + バインドBタイト

(Fig. 12)

■ LSI PIN DIScription (LSI端子機能表)

● YM3436DK (XG948E00) DIR2 (Digital Format Interface Receiver)

PIN NO.	NAME	I/O	FUNCTION	PIN NO.	NAME	I/O	FUNCTION
1	DAUX	I	Auxiliary input for audio data	23	/RST	I	System reset
2	HDLT	O	Asynchronous buffer operation flag	24	VDDA	I	Power supply for VCO
3	DOU	O	Audio data output	25	CTLN	I	VCO control input N
4	VFL	O	Parity flag output	26	PCO	O	PLL phase comparison output
5	OPT	O	Fs×1 Synchronous output for DAC	27	NC	I	No connection
6	SYNC	O	Fs×1 Synchronous output for DSP	28	CTLP	I	VCO control input P
7	MCC	O	Fs×64 Bit clock output	29	VSSA	I	Ground for VCO
8	WC	O	Fs×128 Word clock output	30	/TS	I	Test pin
9	MCB	O	Fs×128 Bit clock output	31	KM2	I	Clock mode switching input 2
10	MCA	O	Fs×256 Bit clock output	32	KM0	I	Clock mode switching input 0
11	SKSY	I	Clock synchronization control input	33	FS1	O	Channel status sampling frequency display output 1
12	XI	I	Crystal oscillator connection for external clock	34	FS0	O	Channel status sampling frequency display output 0
13	XO	O	Crystal oscillator connection	35	CSM	I	Channel status output method select
14	P256	O	VCO oscillating clock connection	36	EXTW	I	External synchronous auxiliary input word clock
15	VSS	I	Ground	37	DDIN	I	EIAJ (AES/EBU) data input
16	/LOCK	O	PLL lock flag	38	LR	O	PLL word clock output
17	TST2	I	Test pin 2	39	VDD	I	Power supply
18	DIM1	I	Data input mode select 1	40	ERR	O	Data error flag output
19	DIM0	I	Data input mode select 0	41	EMP	O	Channel status emphasis control data
20	DOM1	I	Data output mode select 1	42	CDO	O	3-wire type microcomputer interface data
21	DOM0	I	Data output mode select 0	43	CCX	I	3-wire type microcomputer interface clock
22	KM1	I	Clock mode switching input 1	44	CLD	I	3-wire type microcomputer interface load

● YSF210 (XK280A00) 8 time Over Sampling Digital Filter

PIN NO.	NAME	I/O	FUNCTION	PIN NO.	NAME	I/O	FUNCTION																												
1	XO	O	System clock	13	OBIT1	I	Output bit selection <table border="1" style="display: inline-table; vertical-align: middle;"> <tr> <td></td> <td>22 bit</td> <td>20 bit</td> <td>18 bit</td> <td>no output</td> </tr> <tr> <td>OBIT1</td> <td>H</td> <td>L</td> <td>H</td> <td>L</td> </tr> <tr> <td>OBIT2</td> <td>H</td> <td>H</td> <td>L</td> <td>L</td> </tr> </table>		22 bit	20 bit	18 bit	no output	OBIT1	H	L	H	L	OBIT2	H	H	L	L													
	22 bit	20 bit		18 bit	no output																														
OBIT1	H	L	H	L																															
OBIT2	H	H	L	L																															
2	XI	I	Ground	14	OBIT2	I																													
3	Vss2	I	Bit clock	15	NC	—	No connection																												
4	BCI	I	L/R select and input timing	16	ASY	I	Synchronous/Asynchronous system clock selection																												
5	SDSY	I	Input bit selection <table border="1" style="display: inline-table; vertical-align: middle;"> <tr> <td></td> <td>22 bit</td> <td>20 bit</td> <td>18 bit</td> <td>16 bit</td> <td>AV-DSP</td> <td>MEL</td> </tr> <tr> <td>IBIT1</td> <td>H</td> <td>L</td> <td>H</td> <td>L</td> <td>H</td> <td>L</td> </tr> <tr> <td>IBIT2</td> <td>H</td> <td>H</td> <td>L</td> <td>L</td> <td>H</td> <td>H</td> </tr> <tr> <td>IBIT3</td> <td>H</td> <td>H</td> <td>H</td> <td>H</td> <td>L</td> <td>L</td> </tr> </table>		22 bit	20 bit	18 bit	16 bit	AV-DSP	MEL	IBIT1	H	L	H	L	H	L	IBIT2	H	H	L	L	H	H	IBIT3	H	H	H	H	L	L	17	Vss1	I	Ground
	22 bit	20 bit		18 bit	16 bit	AV-DSP	MEL																												
IBIT1	H	L	H	L	H	L																													
IBIT2	H	H	L	L	H	H																													
IBIT3	H	H	H	H	L	L																													
6	IBIT1	I	Mute	18	BCO	O	Bit clock of DLO, DRO																												
7	IBIT2	I		No connection	19	WCO	O	Word clock of DLO, DRO																											
8	IBIT3	I		Input data	20	SHL	O	Deglich signal of L/R channel																											
9	MUTE	I	Power supply	21	DRO	O	Output data of R channel																												
10	NC	—		22	NC	—	No connection																												
11	SDI	I		23	DLO	O	Output data of L channel																												
12	Vdd2	I		24	Vdd1	I	Power supply																												

● YM3437C-F (XM530A00) DIT2 (Digital Format Interface Transmitter)

PIN NO.	NAME	I/O	FUNCTION	PIN NO.	NAME	I/O	FUNCTION
1	VSS	I	Ground	9	MUTE	I	Mute
2	MCLK	I	Master clock	10	VFL	I	Validity flag
3	DM0	I	DIN/BCLK/WCLK format select 0	11	CCK/SCB	I	C,U bit clock input/C bit data input
4	DM1	I	DIN/BCLK/WCLK format select 1 DM1,DM0=0,0: DSP,LDSP(64bit, LSB first) DM1,DM0=0,1: stereo DSP(64bit, MSB first) DM1,DM0=1,0: DSP2(128bit, MSB first) DM1,DM0=1,1: BB(64bit, MSB first)	12	CIN/USB	I	C,U bit data input/U bit data input
5	/RST	I	System reset	13	CLD/AUX	I	End of C, U bit input/16,20bit/24bit select
6	WCIN	I	Word clock input	14	CTR/BLK	I	32 bit counter reset/Top of block
7	DIN	I	Digital audio serial data input	15	CSM	I	Channel status input mode select CSM=0: Asynchronous mode CSM=1: Synchronous mode
8	VDD	I	Power supply	16	DOUT	O	Digital interface formatted data output

● AK5390-VP (XQ199A00) ADC (Analog Digital Converter)

PIN NO.	NAME	I/O	FUNCTION	PIN NO.	NAME	I/O	FUNCTION
1	AGND		Analog ground	15	SCLK	I	Serial data clock
2	AINL	I	Left channel analog input	16	SDATA	O	Serial data output
3	ZEROL	I	Zero level output for left channel	17	FSYNC	I/O	Frame synch. clock
4	VA+	I	Positive analog power supply	18	VD+		Positive digital power supply (+)
5	VA-	I	Negative analog power supply	19	DGND		Digital ground
6	APD		Analog power down	20	CLK	I	Master clock
7	ACAL		Analog calibration	21	OCLK	O	Clock output
8	NC		No connection	22	NC		No connection
9	DACL	O	Digital calibration	23	ICLK	I	Master clock input
10	DPD	I	Digital power down	24	LGND		Logic ground
11	TST	I	Test pin	25	VL+		Positive logic power supply
12	CMODE	I	Master clock select (L: CLK=256fs, H:CLK=384fs)	26	ZEROR	I	Zero level output for right channel
13	SMODE	I	Interface clock select (L: slave mode, H: master mode)	27	AINR	I	Right channel analog input
14	L/R	I	Input channel select	28	VREF+	O	Reference voltage (+)

● SED1335F0B (XQ595A00) LCDC (LCD Controller)

PIN NO.	NAME	I/O	FUNCTION	PIN NO.	NAME	I/O	FUNCTION	
1	VA5	O	VRAM address bus	31	XD2	O	X driver data bus	
2	VA4	O		32	XD1	O		
3	VA3	O		33	XD0	O		
4	VA2	O		34	XECL	O		X driver enable chain clock
5	VA1	O		35	XSCL	O		X driver shift clock
6	VA0	O		36	VSS			Ground
7	VR/W	O	VRAM write strobe	37	LP	O	Latch pulse	
8	/VCE	O	VRAM chip enable	38	WF	O	Frame signal	
9	NC		Reset	39	YDIS	O	LCD power down	
10	/RES	I		40	YD	O	Scan start pulse	
11	NC		80: Read strobe, 68: E clock 80: Write strobe, 68: Read/Write CPU 80/68 bus select	41	YSCL	O	Scan shift clock	
12	NC			42	VD7	I/O	VRAM data bus	
13	/RD	I		43	VD6	I/O		
14	/WR	I		44	VD5	I/O		
15	SEL2	I		45	VD4	I/O		
16	SEL1	I		46	VD3	I/O		
17	OSC1	I	Clock	47	VD2	I/O		
18	OSC2	O	Chip select	48	VD1	I/O	VRAM address bus	
19	/CS	I		49	VDO	I/O		
20	A0	I	Data bus signal discrimination	50	VA15	O		
21	VDD		Power supply	51	VA14	O		
22	D0	I/O	Data bus	52	VA13	O		
23	D1	I/O		53	VA12	O		
24	D2	I/O		54	VA11	O		
25	D3	I/O		55	VA10	O		
26	D4	I/O		56	VA9	O		
27	D5	I/O		57	VA8	O		
28	D6	I/O		58	VA7	O		
29	D7	I/O	59	VA6	O			
30	XD3	O	X driver data bus	60	NC			

• YSS228-F (XQ962A00) DSP3 (Digital Signal Processor)

PIN NO.	NAME	I/O	FUNCTION	PIN NO.	NAME	I/O	FUNCTION	
1	VSS		Ground	81	VSS		Ground	
2	XI	I	System master clock input(60M or 30MHz)	82	DB13	I/O	Ground	
3	XO	O	System master clock output(60M or 30MHz)	83	DB14	I/O		
4	VDD		Power supply	84	DB15	I/O		
5	/SYNCl	I	System synch. signal input	85	DB16	I/O		
6	/SYNCO	O	System synch. signal output	86	DB17	I/O		
7	CKI	I	System clock input (30MHz)	87	DB18	I/O		
8	CKO	O	System clock output (30MHz)	88	DB19	I/O		
9	CKSEL	I	System master clock select(0:60MHz,1:30MHz)	89	DB20	I/O		
10	VSS		Ground	90	DB21	I/O		
11	MCKS	I	Master clock for serial I/O(128xFs)	91	DB22	I/O		Parallel data bus
12	/SSYNc	I	Synch. signal for serial I/O	92	DB23	I/O		
13	/IC	I	Initial clear	93	DB24	I/O		
14	/TEST	I	Test mode setting	94	DB25	I/O		
15	BTYP	I	CPU data bus 8/16 bit select(0:8,1:16)	95	DB26	I/O		
16	/IRQ	O	Interrupt request	96	DB27	I/O		
17	TRIG	I/O	Trigger signal	97	DB28	I/O		
18	VDD		Power supply	98	DB29	I/O		
19	VSS		Ground	99	DB30	I/O		
20	/CS	I	Chip select	100	DB31	I/O		
21	/DS	I	Data strobe	101	TIMO/DBOe	I/O	Timing signal/Parallel data bus control	
22	R/W	I	Read/Write select	102	VSS			Ground
23	CA7	I	CPU address bus	103	VDD		Power supply	
24	CA6	I			104	DA00	I/O	External memory data bus
25	CA5	I			105	DA01	I/O	
26	CA4	I			106	DA02	I/O	
27	CA3	I			107	DA03	I/O	
28	CA2	I			108	DA04	I/O	
29	CA1	I		109	DA05	I/O		
30	CA0/CD15	I/O	CPU address/data bus	110	DA06	I/O		
31	CD14	I/O	CPU data bus	111	DA07	I/O		
32	CD13	I/O			112	DA08	I/O	
33	CD12	I/O			113	DA09	I/O	
34	CD11	I/O			114	DA10	I/O	
35	CD10	I/O			115	DA11	I/O	
36	CD09	I/O			116	DA12	I/O	
37	CD08	I/O			117	DA13	I/O	
38	CD07	I/O			118	DA14	I/O	
39	CD06	I/O			119	DA15	I/O	
40	VSS			Ground	120	VSS		Ground
41	VDD		Power supply	121	VDD		Power supply	
42	CD05	I/O	CPU data bus	122	DA16	I/O	External memory data bus	
43	CD04	I/O			123	DA17		I/O
44	CD03	I/O			124	DA18		I/O
45	CD02	I/O			125	DA19		I/O
46	CD01	I/O			126	DA20		I/O
47	CD00	I/O			127	DA21		I/O
48	/DTACK	O		DTACK signal output	128	DA22		I/O
49	SI0	I	Serial data input	129	DA23	I/O		
50	SI1	I			130	DA24		I/O
51	SI2	I			131	DA25		I/O
52	SI3	I			132	DA26	I/O	
53	SI4	I			133	DA27	I/O	
54	SI5	I			134	DA28	I/O	
55	SI6	I			135	DA29	I/O	
56	SI7	I			136	DA30	I/O	
57	VSS		Ground	137	DA31	I/O	Ground	
58	VDD		Power supply	138	VDD			Power supply
59	SO0	O	Serial data output	139	VSS		Ground	
60	SO1	O			140	A00		O
61	SO2	O			141	A01	O	External memory address bus
62	SO3	O			142	A02	O	
63	SO4	O			143	A03	O	
64	SO5	O			144	A04	O	
65	SO6	O			145	A05	O	
66	SO7	O			146	A06	O	
67	DB00	I/O	Parallel data bus	147	A07	O		
68	DB01	I/O			148	A08	O	
69	DB02	I/O			149	A09	O	
70	DB03	I/O			150	A10	O	
71	DB04	I/O			151	A11	O	
72	DB05	I/O			152	A12	O	
73	DB06	I/O			153	A13	O	
74	DB07	I/O			154	A14	O	
75	DB08	I/O			155	A15/RAS	O	
76	DB09	I/O			156	A16/CAS	O	
77	DB10	I/O		157	A17/CE	O	External memory address bus/Row address strobe	
78	DB11	I/O		158	/WE	O	External memory address bus/Column address strobe	
79	DB12	I/O		159	/OE	O	External memory address bus/Chip enable	
80	VDD		Power supply	160	VDD		External memory write enable	
							External memory output enable	
							Power supply	

● HD6437034F20 <SH7034> (XT198A00) CPU for IC003 on the MAIN Circuit board

PIN NO.	NAME	I/O	FUNCTION	PIN NO.	NAME	I/O	FUNCTION
1	PB14	I	Port B	57	/WRL	O	Write strobe-Low
2	PB15	I	Port B	58	/WRH	O	Write strobe-High
3	VSS1	-	Ground	59	/RD	O	Read strobe
4	AD0	I/O	Data bus	60	PA7	O	Port A
5	AD1	I/O		61	VSS7	-	Ground
6	AD2	I/O		62	PA8	O	Port A
7	AD3	I/O		63	PA9	O	Port A
8	AD4	I/O		64	TIOCA1	O	Input capture/output compare
9	AD5	I/O		65	TIOCB1	O	Input capture/output compare
10	AD6	I/O		66	PA12	O	Port A
11	AD7	I/O	67	TCLKB	I	Timer clock	
12	VSS2	-	Ground	68	PA14	O	Port A
13	AD8	I/O	Data bus	69	/DREQ1	I	DMA transfer request
14	AD9	I/O	Data bus	70	VCC3	-	Power supply
15	VCC1	-	Power supply	71	CK	O	System clock
16	AD10	I/O	Data bus	72	VSS8	-	Ground
17	AD11	I/O		73	EXTAL	I	System clock
18	AD12	I/O		74	XTAL	I	System clock
19	AD13	I/O		75	VCC4	-	Power supply
20	AD14	I/O		76	NMI	I	Non-maskable interrupt request
21	AD15	I/O	77	VCC(VPP)	-	Power supply	
22	VSS3	-	Ground	78	/WDTOVF	O	Watch dog timer overflow
23	A0	O	Address bus	79	/RES	I	Reset
24	A1	O		80	MD0	I	Mode select
25	A2	O		81	MD1	I	
26	A3	O		82	MD2	I	
27	A4	O		83	VCC5	-	Power supply
28	A5	O		84	VCC6	-	Power supply
29	A6	O		85	AVCC	-	Power supply (Analog)
30	A7	O	86	AVREF	I	Reference voltage	
31	VSS4	-	Ground	87	AN0	I	Analog input
32	A8	O	Address bus	88	PC1	I	Port C
33	A9	O		89	PC2	I	
34	A10	O		90	PC3	I	
35	A11	O		91	AVSS	-	Ground (Analog)
36	A12	O		92	PC4	I	Port C
37	A13	O		93	PC5	I	
38	A14	O		94	PC6	I	
39	A15	O	95	PC7	I		
40	VSS5	-	Ground	96	VSS9	-	Ground
41	A16	O	Address bus	97	PB0	I	Port B
42	A17	O	Address bus	98	PB1	O	Port B
43	VCC2	-	Power supply	99	VCC7	-	Power supply
44	A18	O	Address bus	100	TIOCA3	I	Input capture/output compare
45	A19	O		101	PB3	O	Port B
46	A20	O		102	TIOCA4	O	Input capture/output compare
47	A21	O		103	PB5	O	Port B
48	/CS0	O		Chip select	104	TCLKC	I
49	/CS1	O	105		TCLKD	I	Timer clock
50	/CS2	O	106		VSS10	-	Ground
51	/CS3	O	107	RxD0	I	Receiving data 0	
52	VSS6	-	Ground	108	TxD0	O	Transmitting data 0
53	TIOCA0	O	Input capture/output compare	109	RxD1	I	Receiving data 1
54	PA1	O	Port A	110	TxD1	O	Transmitting data 1
55	/CS6	O	Chip select	111	PB12	O	Port B
56	/WAIT	O	Wait	112	SCK1	I	Serial clock

● HD6437034F20 <SH7034> (XT198A00) CPU for IC205 on the SUB Circuit Board

PIN NO.	NAME	I/O	FUNCTION	PIN NO.	NAME	I/O	FUNCTION	
1	PB14	I	Port B	57	/WRL	O	Write strobe-Low	
2	PB15	I	Port B	58	PA5	O	Port A	
3	VSS1	-	Ground	59	PA6	O		
4	AD0	I/O	Data bus	60	PA7	O	Port A	
5	AD1	I/O		61	VSS7	-		Ground
6	AD2	I/O		62	PA8	O	Port A	
7	AD3	I/O		63	PA9	O		
8	AD4	I/O		64	PA10	O		
9	AD5	I/O		65	PA11	O	Timer clock	
10	AD6	I/O		66	TCLKA	I		
11	AD7	I/O	67	TCLKB	I	Timer clock		
12	VSS2	-	Ground	68	PA14	O	Port A	
13	AD8	I/O	Data bus	69	PA15	O	Port A	
14	AD9	I/O	Data bus	70	VCC3	-	Power supply	
15	VCC1	-	Power supply	71	CK	O	System clock	
16	AD10	I/O	Data bus	72	VSS8	-	Ground	
17	AD11	I/O		73	EXTAL	I	System clock	
18	AD12	I/O		74	XTAL	I	System clock	
19	AD13	I/O		75	VCC4	-	Power supply	
20	AD14	I/O		76	NMI	I	Non-maskable interrupt request	
21	AD15	I/O		77	VCC(VPP)	-	Power supply	
22	VSS3	-		Ground	78	/WDTOVF	O	Watch dog timer overflow
23	A0	O	Address bus	79	/RES	I	Reset	
24	A1	O		80	MD0	I	Mode select	
25	A2	O		81	MD1	I		
26	A3	O		82	MD2	I		
27	A4	O		83	VCC5	-	Power supply	
28	A5	O		84	VCC6	-	Power supply	
29	A6	O		85	AVCC	-	Power supply (Analog)	
30	A7	O	Ground	86	AVREF	I	Reference voltage	
31	VSS4	-		87	AN0	I	Analog input	
32	A8	O		88	AN1	I		
33	A9	O		89	AN2	I		
34	A10	O		Address bus	90	AN3	I	Ground (Analog)
35	A11	O			91	AVSS	-	
36	A12	O			92	AN4	I	Analog input
37	A13	O	93		AN5	I		
38	A14	O	94		AN6	I		
39	A15	O	95		AN7	I	Ground	
40	VSS5	-	96		VSS9	-		
41	A16	O	Address bus	97	PB0	O	Port B	
42	A17	O	Address bus	98	PB1	O	Port B	
43	VCC2	-	Power supply	99	VCC7	-	Power supply	
44	A18	O	Address bus	100	PB2	O	Port B	
45	A19	O		101	PB3	O		
46	A20	O		102	PB4	O		
47	A21	O		103	PB5	O		
48	/CS0	O		104	PB6	O		
49	/CS1	O		105	PB7	O		
50	/CS2	O		106	VSS10	-	Ground	
51	/CS3	O	Chip select	107	RxD0	I	Receiving data 0	
52	VSS6	-		108	TxD0	O	Transmitting data 0	
53	PA0	I	Port A	109	RxD1	I	Receiving data 1	
54	PA1	O		110	TxD1	O	Transmitting data 1	
55	PA2	O		111	PB12	O	Port B	
56	/CS7	O	Chip select	112	PB13	O	Port B	

● **PCM69AP-3 (XM051A00) DAC (Digital to Analog Converter)**

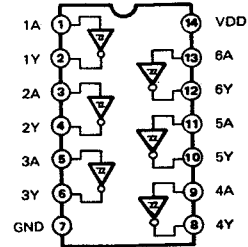
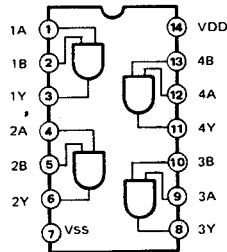
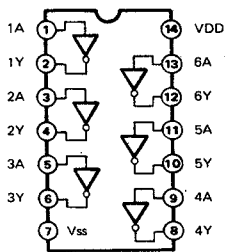
PIN NO.	NAME	I/O	FUNCTION	PIN NO.	NAME	I/O	FUNCTION
1	Vcc		Analog power supply	9	DGND		Digital Ground
2	COML		V-common, channel L	10	DATAR	I	Data input, channel R
3	OUTL	O	Current output, channel L	11	BCK	I	Bit clock
4	SRV		Servo filter	12	SCLK	I	System clock
5	REF		Reference filter	13	WDCK	I	Word clock
6	OUTR	O	Current output, channel R	14	DATAL	I	Data input, channel L
7	COMR		V-common, channel R	15	TP1		Test pin
8	AGND		Analog ground	16	VDD		Digital power supply

● **PCM1702P (XN136A00) DAC (Digital to Analog Converter)**

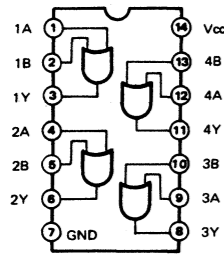
PIN NO.	NAME	I/O	FUNCTION	PIN NO.	NAME	I/O	FUNCTION
1	DATA	I	Serial data input	9	+Vcc		Analog power supply (+5V)
2	CLOCK	I	Bit clock	10	BPO DC	I/O	BPO decouple
3	+Vdd		Digital power supply (+5V)	11	I OUT	O	Current output
4	DGND		Digital ground	12	AGND		Analog ground
5	-Vdd		Digital power supply (-5V)	13	AGND		Analog ground
6	LE	I	Latch enable	14	SERVO DC	I/O	Servo decouple
7	NC		Reserved	15	REF DC	I/O	Ref. decouple
8	NC		Reserved	16	-Vcc		Analog power supply (-5V)

■ **IC BLOCK DIAGRAM (ICブロック図)**

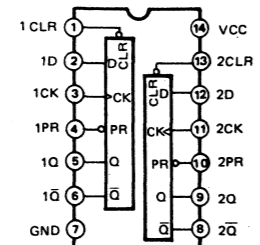
- **TC74HCU04AP (IG142200)** ● **SN74HC08NSR (XD831A00)** ● **SN74HC14N (IR001450)**
- **HD74HC04P (IR000410)** Quad 2 Input AND Hex Inverter
- **SN74HCU04NSR (XC723A00)**
- **SN74HC04NSR (XD830A00)** Hex Inverter



- **SN74HC32NSR** (XD833A00)
Quad 2 Input OR

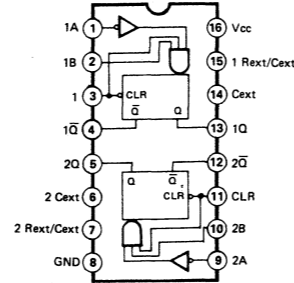


- **SN74HC74NSR** (XC726A00)
Dual D-Type Flip-Flop

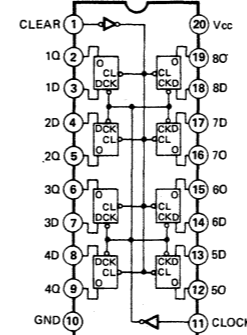


INPUTS				OUTPUTS	
PR	CLR	CLK	D	Q	Q̄
L	H	X	X	H	L
H	L	X	X	L	H
L	L	X	X	H	H
H	H	↑	H	H	L
H	H	↑	L	L	H
H	H	L	X	Q _o	Q̄ _o

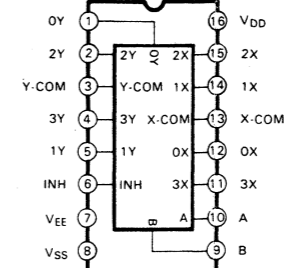
- **HD74HC123AP** (IR012310)
Dual Retriggerable Single Shot



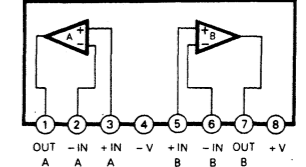
- **SN74HC273N** (IR027350)
SN74HC273NSR (XH223A00)
Octal D-Type Flip-Flop



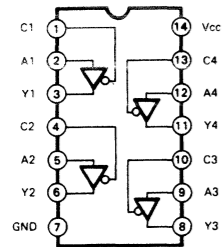
- **TC4052BP** (XA053A00)
Differential 4-Channel
Multiplexer/Demultiplexer



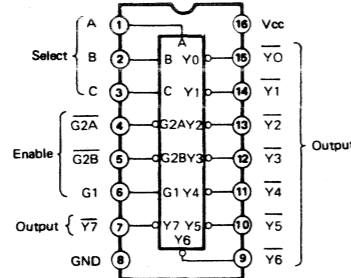
- **NJM4556AL** (XP844A00)
- **NJM2082M(T1)** (XN797A00)
- **NJM2068L-D** (XM356A00)
Dual Operational Amplifier



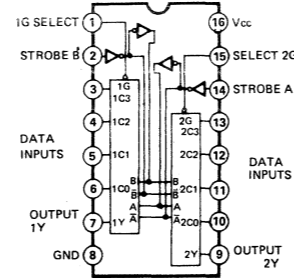
- **SN74HC125NSR** (XH218A00)
Quad 3-State Bus Buffer



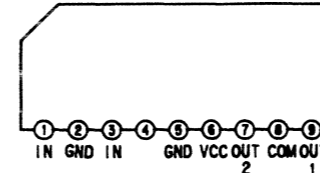
- **SN74HC138NSR** (XD835A00)
3 to 8 Demultiplexer



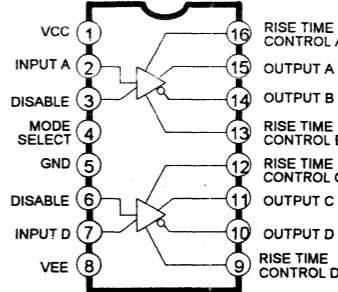
- **SN74HC153NSR4-1S** (IR017450)
Dual 4 to 1 Data Selectors



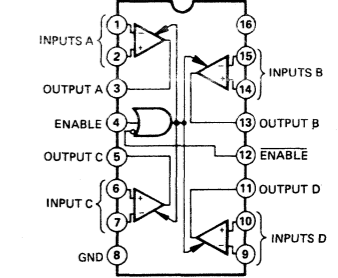
- **TA7291S** (XF557A00)
Motor Driver



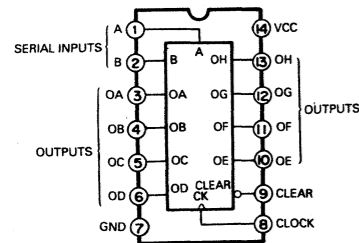
- **MC26LS30D** (XL334A00)
Line Driver



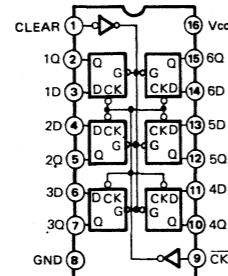
- **DS26C32ATM** (XQ544A00)
Line Receiver



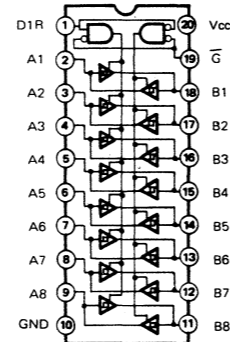
- **TC74HC164AF** (XQ967A00)
8-Bit Shift Register



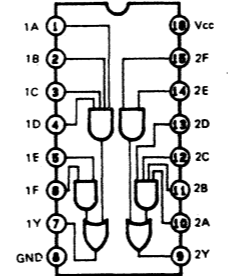
- **SN74HC174N** (IR017450)
Hex D-Type Flip-Flop



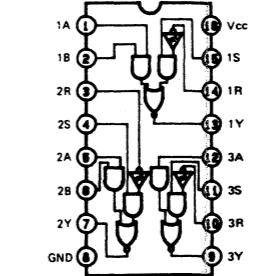
- **SN74HC245N** (IR024550)
SN74HC245NSR (XD838A00)
Octal 3-State Bus Transceiver



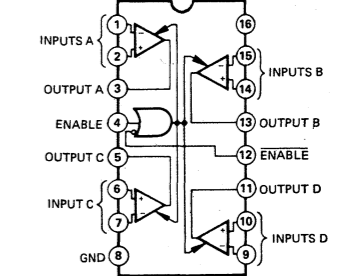
- **SN75121NS** (XN975A00)
Dual Line Driver



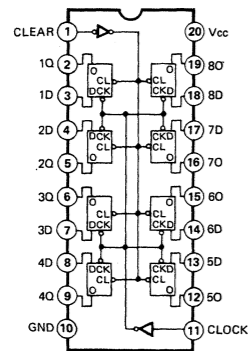
- **SN75124NS** (XN976A00)
Triple Line Receiver



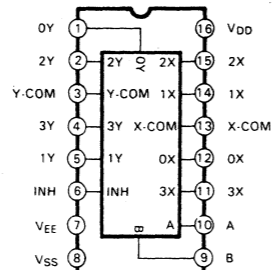
- **AM26LS31M** (XN919A00)
Line Receiver



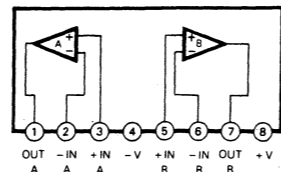
- **SN74HC273N** (IR027350)
SN74HC273NSR (XH223A00)
Octal D-Type Flip-Flop



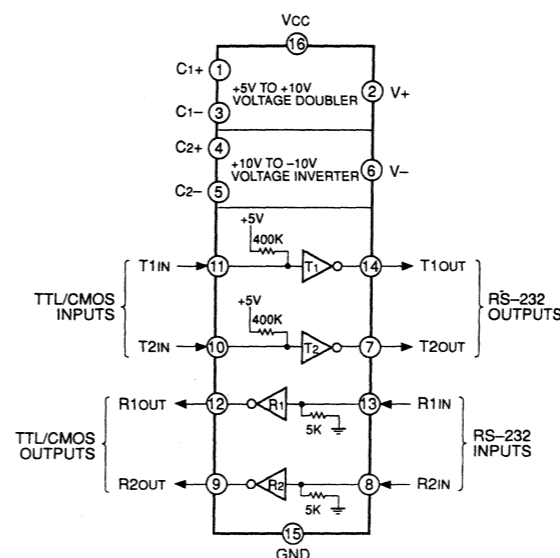
- **TC4052BP** (XA053A00)
Differential 4-Channel
Multiplexer/Demultiplexer



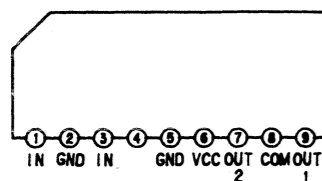
- **NJM4556AL** (XP844A00)
- **NJM2082M(T1)** (XN797A00)
- **NJM2068L-D** (XM356A00)
Dual Operational Amplifier



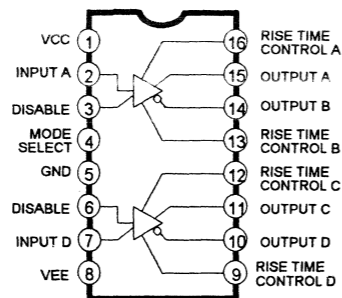
- **MAX202CPE** (XP893A00)
RS-232 Transceiver



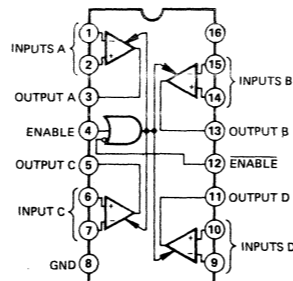
- **TA7291S** (XF557A00)
Motor Driver



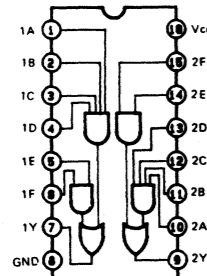
- **MC26LS30D** (XL334A00)
Line Driver



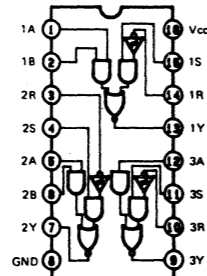
- **DS26C32ATM** (XQ544A00)
Line Receiver



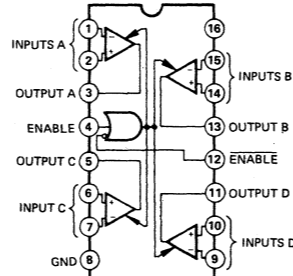
- **SN75121NS** (XN975A00)
Dual Line Driver



- **SN75124NS** (XN976A00)
Triple Line Receiver



- **AM26LS31M** (XN919A00)
Line Receiver

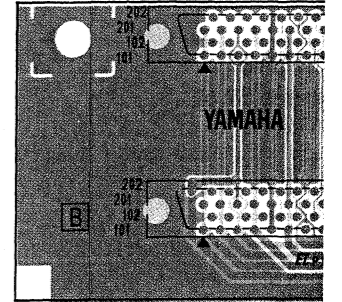
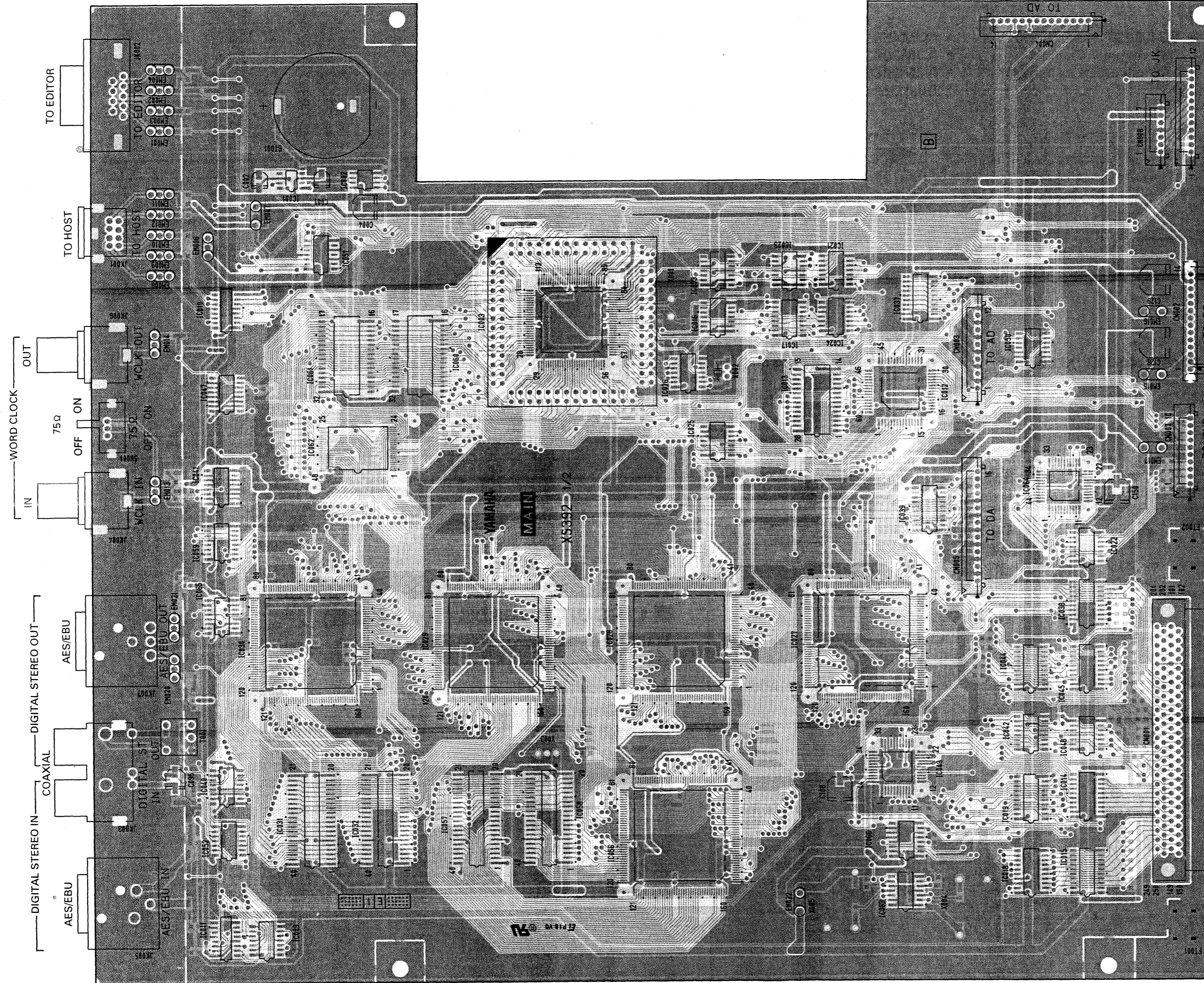


■ **CIRCUIT BOARDS (シート基板図)**

MAIN 1/2 Circuit Board	55
MAIN 2/2 Circuit Board	57
AD 1/2 Circuit Board	61
AD 2/2 Circuit Board	64
DA Circuit Board	67
FD Circuit Board	70
PN/ENC Circuit Board	73
SUB 1/2 Circuit Board	78
SUB 2/2 Circuit Board	79
DC Circuit Board	80
JK Circuit Board	83
AC Circuit Board	83

• MAIN 1/2 Circuit Board

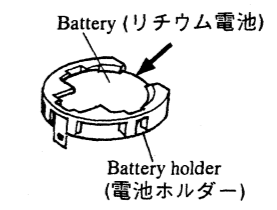
• MAIN 2/2 Circuit E



Component side (部品側)

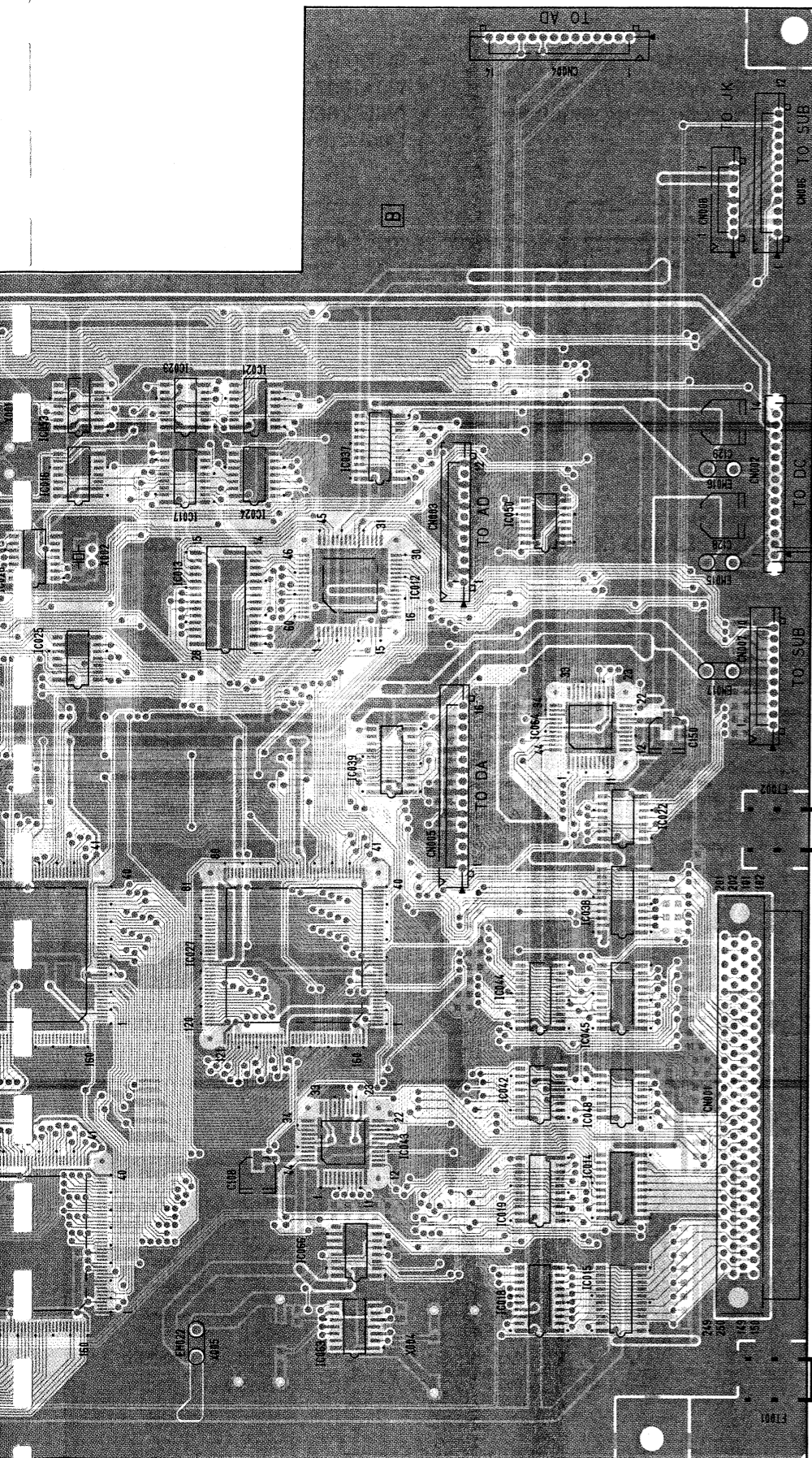
Jumper Wire
 (ジャンパーワイヤー)
 (VY69040)

- Notice for back-up battery removal
 Push the battery as shown in figure, then the battery will pop up.
- Druk de batterij naar beneden zoals aangeven in de tekening, de batterij springt dan naar voren.



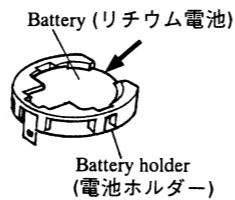
Component side (部品側)

• MAIN 2/2 Circuit Board

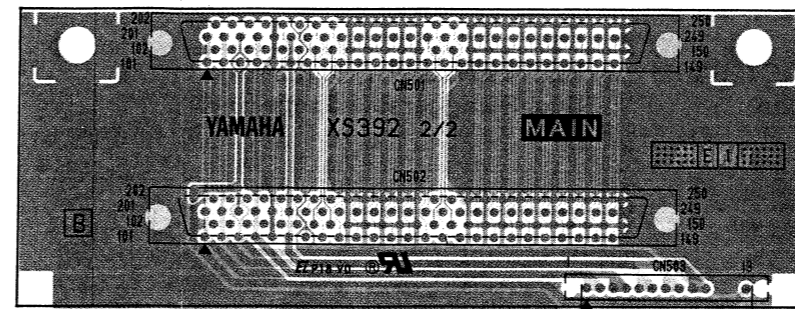


Jumper Wire
(ジャンパーワイヤー)
(VY69040)

- Notice for back-up battery removal
Push the battery as shown in figure,
then the battery will pop up.
- Druk de batterij naar beneden zoals
aangeven in de tekening, de batterij
springt dan naar voren.



Component side
(部品側)



Component side (部品側)

Jumper Wire
(ジャンパーワイヤー)
(VT64400)

Notes

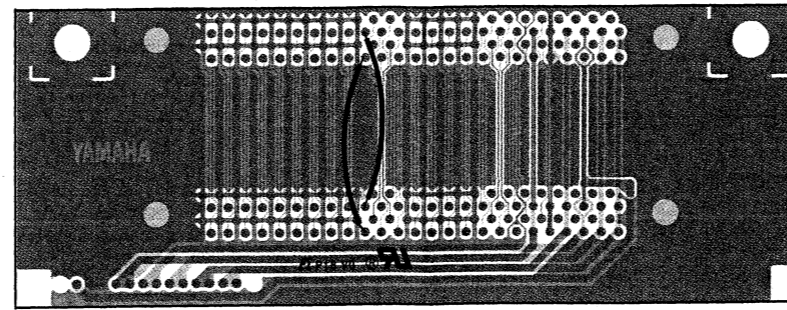
Circuit Board: MAIN 1/2(MAIN) (NX007660) XS392B0
MAIN 2/2(CNCT) (NX007670) XS392B0

01. IC

- IC001: M62021FP (X1686A00) RESET
- IC002: NJM2082M(T1) (XN797A00) OP AMP
- IC003: HD6437034SD14F (XT198A00) CPU V1.00
- IC009,048,050: SN74HC125NSR (XH218A00) 3-STATE BUFFER
- IC010: MC26LS30D (XL334A00) LINE DRIVER
- IC011: DS26C32ATM (XQ544A00) LINE RECEIVER
- IC012: SED1335F0B (XQ595A00) LCDC
- IC013: W24257 (XS544A00) SRAM 256K
- IC014,015,018,037,038,039,044,045: SN74HC245NSR (XD838A00) TRANSCEIVER
- IC016: TC74HC164AF (XQ967A00) SHIFT REGISTER
- IC017,042: SN74HC138NSR (XD835A00) DECODER
- IC019: SN74HC273NSR (XH223A00) O-DFF
- IC021: SN74HC08NSR (XD831A00) AND
- IC022,051: SN74HC04NSR (XD830A00) HEX INVERTER
- IC023,053,063: SN74HC74NSR (XC726A00) D-DFF
- IC024,025: SN74HC32NSR (XD833A00) OR
- IC026,052: SN74HC04NSR (XC723A00) HEX INVERTER
- IC027,028,029,030,056: YSS228D-F (XQ962C00) DSP3
- IC031,032,057,058: M5M44260CJ-7 (XR978A00) DRAM 4M
- IC040,065: YM3437C-F (XM530A00) DIT2
- IC041: SN75124NS (XN976A00) LINE RECEIVER
- IC043,064: YM3436DK (XG948E00) DIR2
- IC047: SN75121NS (XN975A00) LINE DRIVER

- IC059: AM26LS31M (XN919A00) LINE DRIVER
 - IC060,061: KM681000BLG-7L (XS265A00) SRAM 1M or M5M51008BFP-70LL (XS681A00) SRAM 1M
 - IC062: MBM29F800T-90 (XS832A00) FLASH MEMORY
 - IC066: SN74HC153NSR 4-1 (XN515A00) Data Selector
02. Diode
D 001-013: 1SS355 TE-17 (VT332900)
03. Mylar Capacitor (Chip)
C 106: 0.0470 16V J (VR327000)
C 147,148: 0.0560 16V J (VR327100)
C 143,144,145,146: 0.1000 16V J (VR327400)
C 151: 0.0047 16V J (VP864400)
04. Monolithic Ceramic Cap.
C 003,005-009,012-016-019,020,022,023,030-038,041-087,092-094,096,099,100,105,107,109,110,111,115,116,118-121,123,131,132-142,149,152-156:
F 0.100 25V Z (UB245100)
CH 10P 50V D (VJ899500)
C 010,011: CH 100P 50V J (VJ901900)
C 017,018,117: SL 33P 50V J (UB051330)
C 098: F 0.010 50V Z (UB044100)
C 112,114: B 220P 50V K (UB012220)
05. Electrolytic Cap. (chip)
C 001,002: 10 16V (UF037100)
C 004: 33 16V (UF037330)
C 095: 22 16V (UF037220)
C 108,150: 47 16V (UF037470)
C 128,129: 100 16V (UF038100)
06. Pulse Transformer
T 001: TC-1019-06 (VC548200)

• MAIN 2/2 Circuit Board



Pattern side (パターン側)

07. Chip Inductance

L 001-020,022,
023,039-046,
048-069: BLM21B751S 2125 (VS740100)

08. Carbon Resistor (chip)

R 001,004-014,015, 016,019-027,030-
045,052-065,067,073,075,091,092,
102-110: 10.0K 0.1 J (RD257100)
R 002: 4.7M 0.1 J (RD259470)
R 017,089,090,
094,095: 1.0K 0.1 J (RD256100)
R 028: 1.0M 0.1 J (RD259100)
R 029: 5.6K 0.1 J (RD256560)
R 047,048,087,
088: 10.0 0.1 J (RD254100)
R 049: 22.0K 0.1 J (RD257220)
R 050,051,081: 470.0 0.1 J (RD255470)
R 066,071,083: 75.0 0.1 J (RD254750)
R 068: 4.7K 0.1 J (RD256470)
R 069: 100.0K 0.1 J (RD258100)
R 070,084: 2.2K 0.1 J (RD256220)
R 072,082: 47.0 0.1 J (RD254470)
R 080,100: 3.3K 0.1 J (RD256330)
R 085: 4.7 0.1 J (RD253470)
R 086: 150.0 0.1 J (RD255150)
R 093: 240.0 0.1 J (RD255240)
R 098,099: 39.0 0.1 J (RD254390)
R 101: 100.0 0.1 J (RD255100)

09. Quartz Crystal Unit

X 001: 20.0000M AT-49 (VI927300)
X 003: 60.00 M DOC-49S (VU800300)
X 005: 3119A-AQA8024.57 (VQ248800)
X 004: 3119A-AQA8022.57 (VT641400)

10. Ceramic Resonator

X 002: 1.2288M CSB (VJ041100)

11. Slide Switch

SW 001: SSSF112-S06N1 (VR365100) WORD
CLOCK IN ON/OFF

12. LC Filter

EM 001-004,008-
014,020,021: LS MT B271KB (FZ006920)
EM 006,007,015,
016,017,022: LS MT Y223NB (FZ006970)

13. Battery Holder

BT 001: CR2032 (VN103600)

14. Connector

JK 001: 8P TCS7927 (VN997100) TO-HOST
JK 002: 17LE- 9P SE (VY730000) TO EDITOR
JK 003: JACK YKC21-3079 (VJ249400)
DIGITAL ST IN/OUT
JK 004: YKS11-0 (VI552200) WORD CLOCK IN
JK 005: NC3FAH1-0 (VS133800) DIGITAL ST IN
(ABS/EBU)
JK 006: YKS11-0 (VI552200) WORD CLOCK OUT
JK 007: NC3MAH (VS133700) DIGITALST OUT
(ABS/EBU)

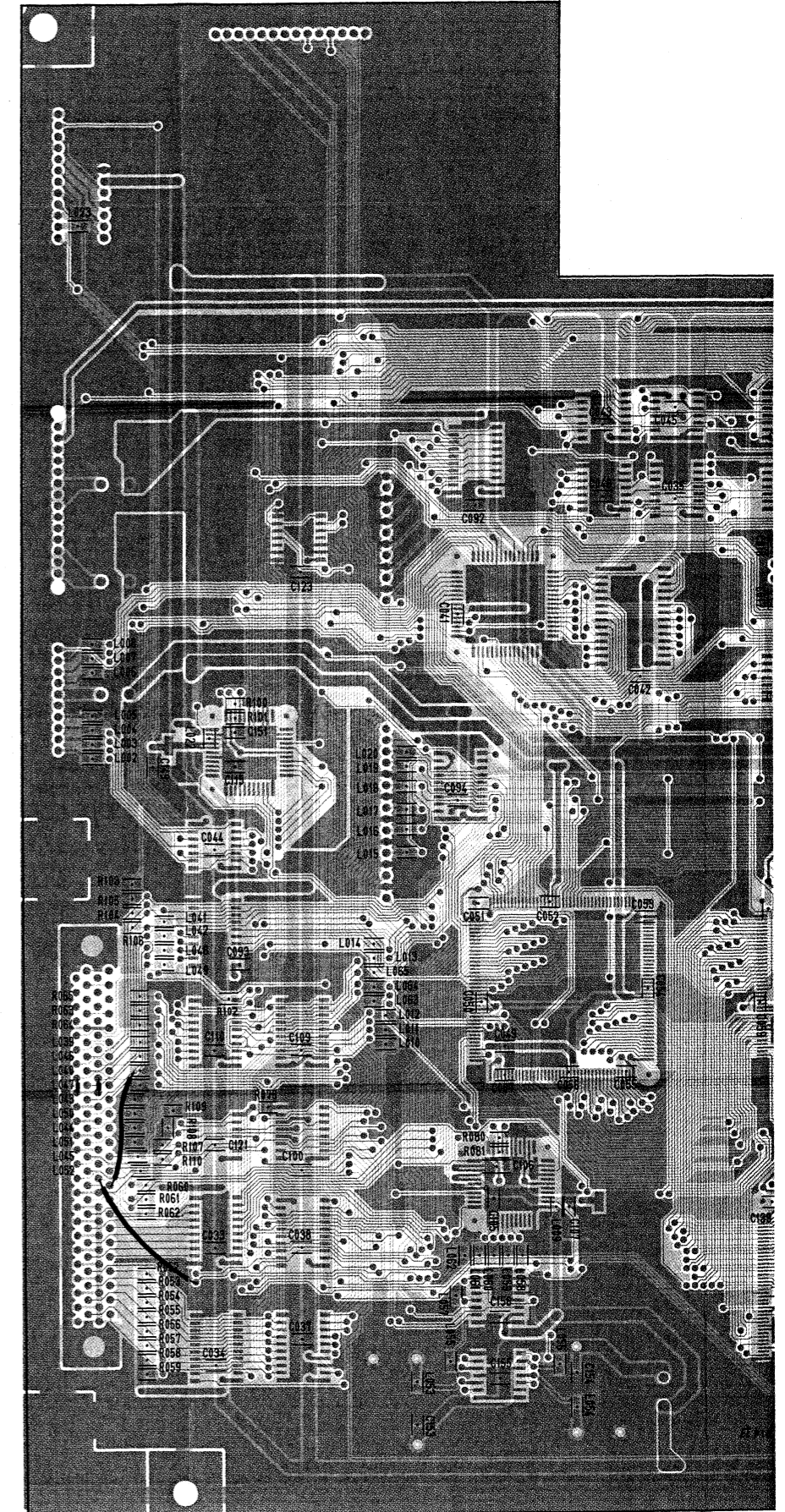
15. Connector

CN 001: PHEC 100P (VT640300) to MAIN 2/2-CN5
CN 002: 51048-14P TE (VI879200) to DC-CN107
CN 003: 52147-12P TE (VK025600) to AD 1/2-CN001
CN 004: 52147-14P TE (VK025800) to AD 1/2-CN002
CN 005: 52147-16P TE (VJ861600) to DA-CN701
CN 006: 52147-12P TE (VK025600) to SUB 1/2-CN20
CN 007: 52147-10P TE (VF728200) to SUB 1/2-CN20
CN 008: 52147- 7P TE (VK025100) to JK-CN201
CN 501: PHEC 100P (VU328200) to MAIN 1/2-
CN001
CN 502: PHEC 100P (VU328200) to Optional I/O
card
CN 503: 51048-13P TE (VI879100) to DC-CN109

16. Jumper Wire

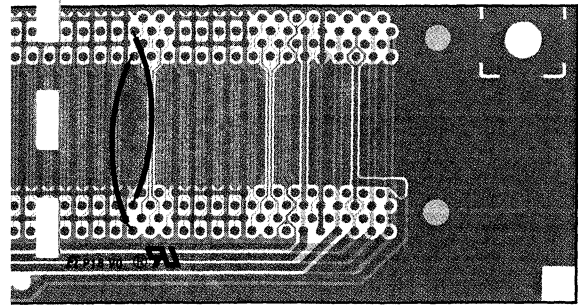
: FVP=2.0C26SB14-1 (-) CN002
: FVP=2.0C26SB13-1 (-) CN503

• MAIN 1/2 Circuit Board

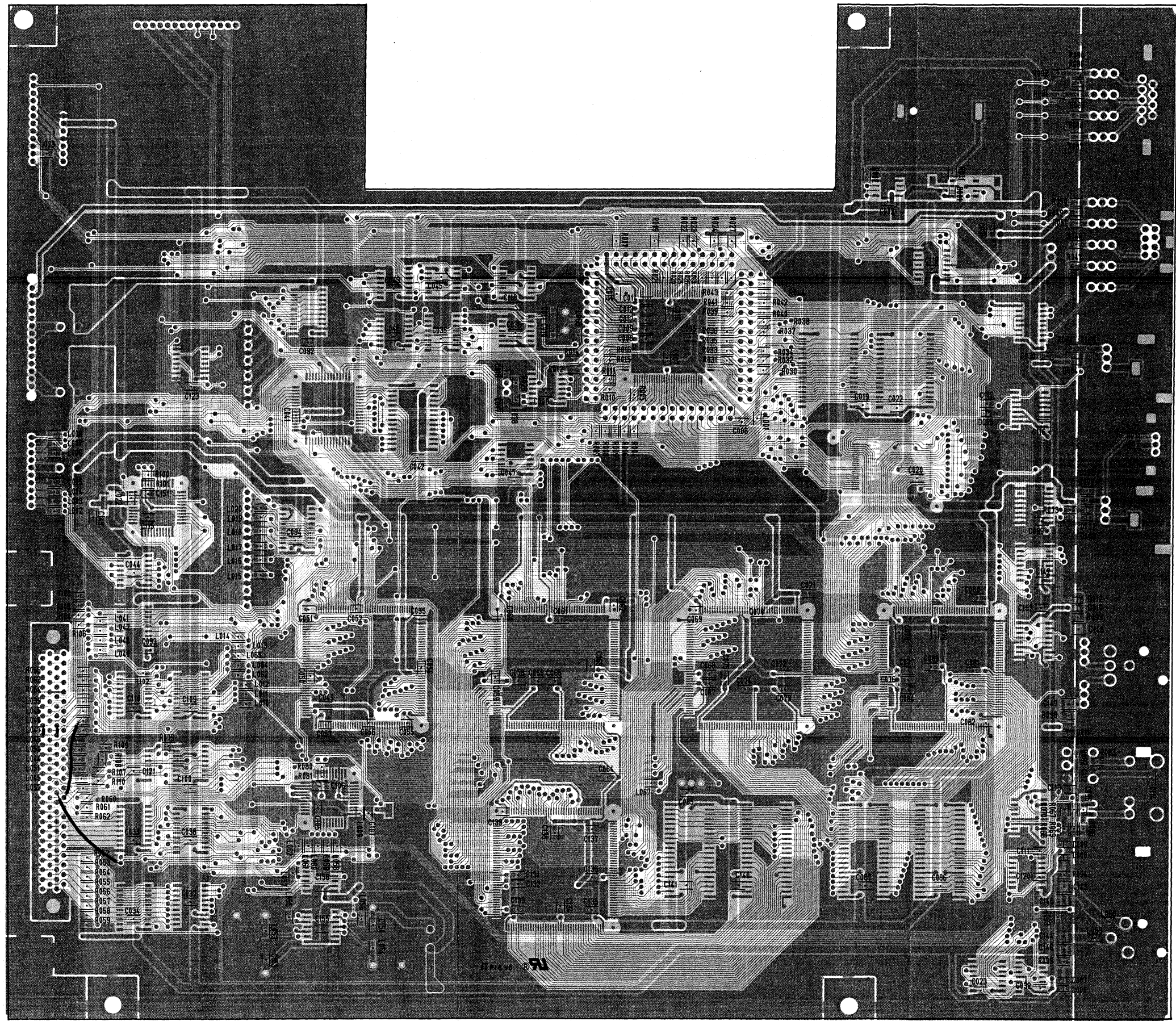


oard

● MAIN 1/2 Circuit Board

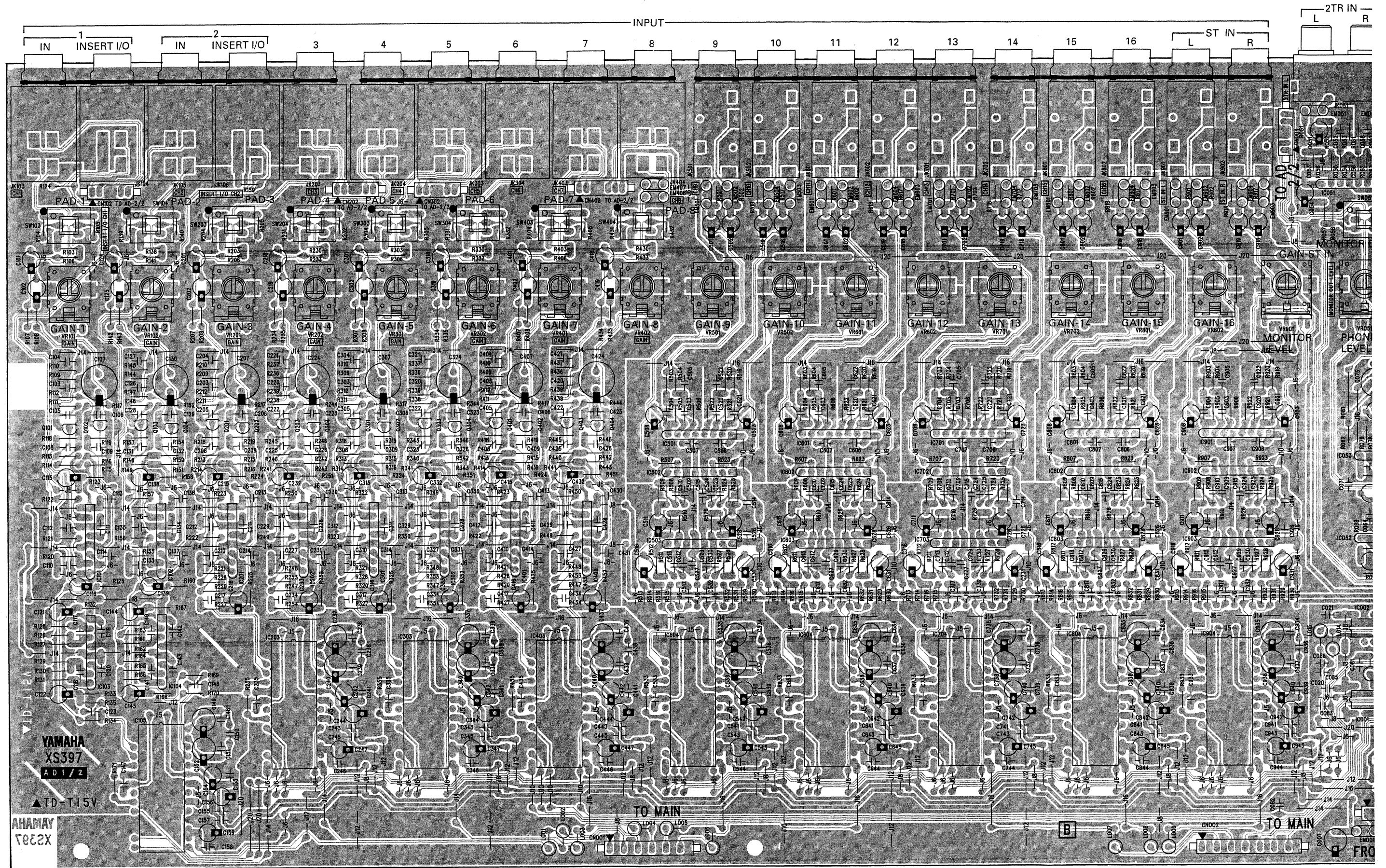


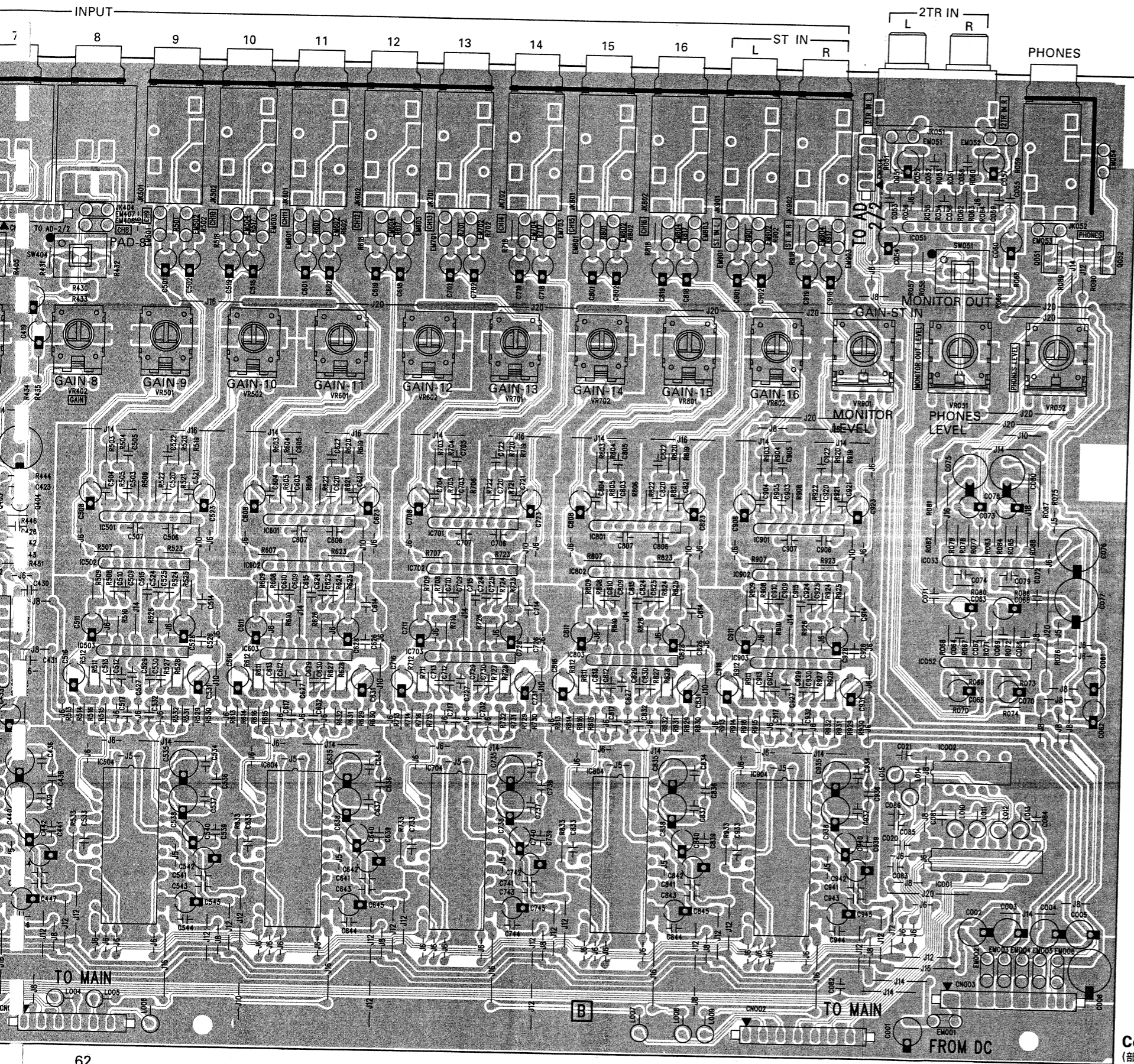
Pattern side (パターン側)



Pattern side (パターン側)

• AD 1/2 Circuit Board





Notes)

Circuit Board: AD 1/2 (PHONES) (NX007700)
 XS397B0
 AD 2/2 (XLRS) (NX007710) XS397B0

01. IC

IC 001: SN74HC245N (IR024550)
 TRANSCIEVER
 IC 002: HD74HC04P (IR000410) HEX
 INVERTER
 IC 051,052,101-104,201,202,301,302,
 401,402,501-503,601-603,701-703,
 801-803,901-903: NJM2068L-D (XM356A00) OP AMP
 IC 053: NJM4556AL (XP844A00) OP AMP
 IC 105,203,303,403,504,604,704,804,
 904: AK5390-VP (XQ199A00) A/D
 CONVERTER

02. Transistor

Q 051,052: 2SD1915(F) S,T (VK432900)
 Q 101,102,103,104,201,202,203,204,
 301,302,303,304,401,402,403,404:
 2SC2240 GR,BL (IC224030)

03. Mylar Capacitor

C 123,146,217,234,317,334,417,434,
 517,532,617,632,717,732,817,832,
 917,932: 6800P 50V J (UA353680)

04. Ceramic Capacitor-F

C 055,056,066,067,113,114,119,120,
 136,137,142,143,213,214,230,231,
 313,314,330,331,413,414,430,431,
 506,507,514,515,526,527,606,607,
 614,615,626,627,706,707,714,715,
 726,727,806,807,814,815,826,827,
 906,907,914,915,926,927:
 0.0100 50V Z (FG644100)

05. Ceramic Capacitor-SL

C 108,109,131,132,208,209,225,226,
 308,309,325,326,408,409,425,426,
 509,524,609,624,709,724,809,824,
 909,924: 10P 50V J (VD840100)
 C 110,112,133,135,210,212,227,229,
 310,312,327,329,410,412,427,429,
 510,525,610,625,710,725,810,825,
 910,925: 22P 50V J (VD840500)
 C 503-505,512,520,521,522,529,603-
 605,612,620-622,629,703,705,712,
 720-722,729,803-805,812,820-822,
 829,903-905,912,920-922,929:
 47P 50V J (VD840900)

06. Ceramic Capacitor-B

C 052,053,058,059,064,069,074,079,
 117,118,140,141: 100P 50V K (VD841300)
 C 103,104,111,126,127,134,203,204,
 211,220,221,228,303,304,311,320,
 321,328,403,404,411,420,421,428:
 220P 50V K (VD841800)
 C 105,106,128,129,205,206,222,223,
 305,306,322,323,405,406,422,423:
 1000P 50V K (VD842600)
 C 513,530,613,630,713,730,813,830,
 913,930: 82P 50V K (VD841200)

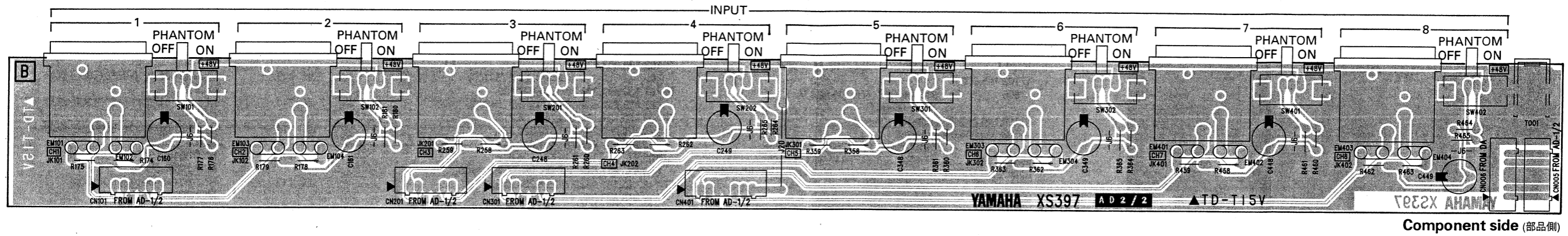
07. Semiconductive Cera. Cap.

C 020,021,071,072,147,148,150,151,
 153,155,157,158,235,236,238,239,
 241,243,245,246,335,336,338,339,
 341,343,345,346,435,436,438,439,
 441,443,445,446,533,534,536,537,
 539,541,543,544,633,634,636,637,
 639,641,643,644,733,734,736,737,
 739,741,743,744,833,834,836,837,
 839,841,843,844,933,934,936,937,
 939,941,943,944: 0.1000 25V Z (VC694800)

Component side
(部品側)



• AD 2/2 Circuit Board



08. Electrolytic Cap.

- C 001-003,149,152,237,240,337,340, 437,440,535,538,635,638,735,738, 835,838,935,938: 100.00 16.0V (UJ838100)
- C 004,005: 100.00 25.0V (UJ848100)
- C 006: 100.00 63.0V (UJ878100)
- C 051,054,057,060-062,065,070,115, 116,121,122,138,139,144,145,215, 216,232,233,315,316,332,333,415, 416,432,433,508,511,516,523,528, 531,608,611,616,623,628,631,708, 711,716,723,728,731,808,811,816, 823,828,831,908,911,916,923,928, 931: 47.00 25.0V (UJ847470)
- C 063,068,073,078: 10.00 35.0V (UJ857100)
- C 075,080: 220.00 16.0V (UJ838220)
- C 076,077: 470.00 25.0V (UJ848470)
- C 107,130,207,224, 307,324,407,424: 1000 6.3V (UJ819100)
- C 154,156,159,242,244,247,342,344, 347,442,444,447,540,542,545,640, 642,645,740,742,745,840,842,845, 940,942,945: 10.00 16.0V (UJ837100)
- C 160,161,248,249, 348,349,448,449: 47.00 63.0V (UJ877470)
- C 501,502,518,519,601,602,618,619, 701,702,718,719,801,802,818,819, 901,902,918,919: 10.00 50.0V (UJ867100)

09. Electrolytic Cap.-KL

- C 101,102,124,125,201,202,218,219, 301,302,318,319,401,402,418,419: 10.00 50.0V (VJ097400)

10. Carbon Resistor

- R 051,059: 10.0K 1/4 J (HF757100)
- R 052,054,060,062, 067,071: 220.0 1/4 J (HF755220)
- R 053,058,061,066,068,070,072,074, 082,088,123,125,132,133,158,160, 167,168,177,181,224,225,251,252, 261,265,324,325,351,352,361,365, 424,425,451,452,461,465,513,514, 529,530,613,614,629,630,713,714,

- 729,730,813,814,829,830,913,914, 929,930: 100.0K 1/4 J (HF758100)
- R 057,065,122,157: 39.0 1/4 J (HF754390)
- R 069,073,128,131,163,166,221,223, 226,227,248,250,253,254,321,322, 326,327,348,349,353,354,421,423, 426,427,448,450,453,454,509,512, 525,528,609,612,625,628,709,712, 725,728,809,812,825,828,909,912, 925,928: 100.0 1/4 J (HF755100)
- R 089,090: 4.7K 1/4 J (HF756470)
- R 107,108,111,112,134,135,142,143, 146,147,169,170,207,208,211,212, 234,235,238,239,307,308,311,312, 334,335,338,339,407,408,411,412, 434,435,438,439,515,516,531,532, 615,616,631,632,715,716,731,732, 815,816,831,832,915,916,931,932: 10.0 1/4 J (HF754100)
- R 124,159: 560.0 1/4 J (HF755560)
- R 171,255,355,455,533,633,733,833, 933: 1.0K 1/4 J (HF756100)
- R 501,502,517,518,601,602,617,618, 701,702,717: 1.0M 1/4 J (HF759100)
- R 718,801,802,817,818,901,902,917, 918: 1.0M 1/4 J (HF759100)

11. Flame Proof C. Resistor

- R 176,180,260,264, 360,364,460,464: 390.0 1/4 J (HV755390)

12. Metal Film Resistor

- R 055,063,078,084,74,175,178,179, 258,259,262,263,358,359,362,363, 458,459,462,463: 6.8K 1/5 F (VB067300)
- R 056,064,080,086,120,121,129,130, 155,156,164,165,220,222,247,249, 320,323,347,350,420,422,447,449, 503,504,510,511,519,520,526,527, 603,604,610,611,619,620,626,627, 703,704,710,711,719,720,726,727, 803,804,810,811,819,820,826,827, 903,904,910,911,919,920,926,927: 10.0K 1/5 F (VA074400)

- R 077,083,218,219,245,246,318,319, 345,346,418,419,445,446: 15.0K 1/5 F (VA074600)
- R 079,085: 2.4K 1/5 F (VB066400)
- R 103,138,203,230,303,330,403,430: 200.0 1/5 F (VB063200)
- R 104,105,139,140,204,205,231,232, 304,305,331,332,404,405,431,432: 2.0K 1/5 F (VB066200)
- R 106,141,206,233,306,333,406,433: 4.7K 1/5 F (VA074100)
- R 109,110,144,145,209,210,236,237, 309,310,336,337,409,410,436,437: 47.0K 1/5 F (VB068800)
- R 113,115,148,150,213,215,240,242, 313,315,340,342,413,415,440,442: 2.2K 1/5 F (VB066300)
- R 114,116,149,151,214,216,241,243, 314,316,341,343,414,416,441,443: 8.2K 1/5 F (VB067400)
- R 117,152: 22.0 1/5 F (VB060900)
- R 118,119,153,154: 43.0K 1/5 F (VB068700)
- R 126,161: 11.0K 1/5 F (VA074500)
- R 127,162: 4.3K 1/5 F (VB067000)
- R 217,244,317,344, 417,444: 20.0 1/5 F (VB060800)
- R 505,506,521,522,605,606,621,622, 705,706,721,722,805,806,821,822, 905,906,921,922: 5.6K 1/5 F (VB067100)
- R 507,523,607,623,707,723,807,823, 907,923: 2.7K 1/5 F (VB066500)
- R 508,524,608,624,708,724,808,824, 908,924: 33.0K 1/5 F (VB068400)

13. Metal Oxide Film Resistor

- R 081,087: 100.0 1W J (VC745000)

14. Rotary Variable Resistor

- VR 051: A20KX2 RK14K (VS144900) MONITOR OUT LEVEL
- VR 052: A20KX2 RK14K (VS144900) PHONES LEVEL
- VR 101,102,201,202,301,302, 401,402: 5K RK11K113 (VV701400) GAIN

- VR 501,502,601,602,701,702, 801,802: C 100K RK11K113 (VV701500) GAIN
- VR 901: C 100K RK14KX2 (VV701300) GAIN

15. Slide Switch

- SW 101,102,201,202,301,302, 401,402: SSSF112-S06N1 (VR365100) PHANTOM ON/OFF

16. Push Switch

- SW 051: SPEC12S (VG204800) CUE/2TR IN
- SW 103,104,203,204,303,304, 403,404: SPEC12S (VG204800) PAD

17. LC Filter

- EM 001,002,003,004,005,006, 053,054: LS MT Y223NB (FZ006970)

18. Ferrite Bead

- L 001-015,051,052,101-106,205,206, 303-306,401-408,501-506,601-606, 701-706,801-806,901-906: BL02RN1-R62T4 (GE300610)

19. Pin Jack, 2P

- JK 051: w/E YKC21-3045 (VM725600) 2TR IN L/R

20. Phone Jack

- JK 052: HLJ7001-01- (VS056300) PHONES
- JK 103,104: HLJ4306(STEREO) (LB301920) CH1, CH1 INSERT I/O
- JK 105,106: HLJ4306(STEREO) (LB301920) CH2, CH2 INSERT I/O
- JK 203,204,303,304,403,404: HLJ4306(STEREO) (LB301920) CH5-CH8
- JK 501,502,601,602,701,702, 801,802: HLJ7001-01- (VS056300) CH9-CH16
- JK 901,902: HLJ7001-01- (VS056300) ST IN L/R

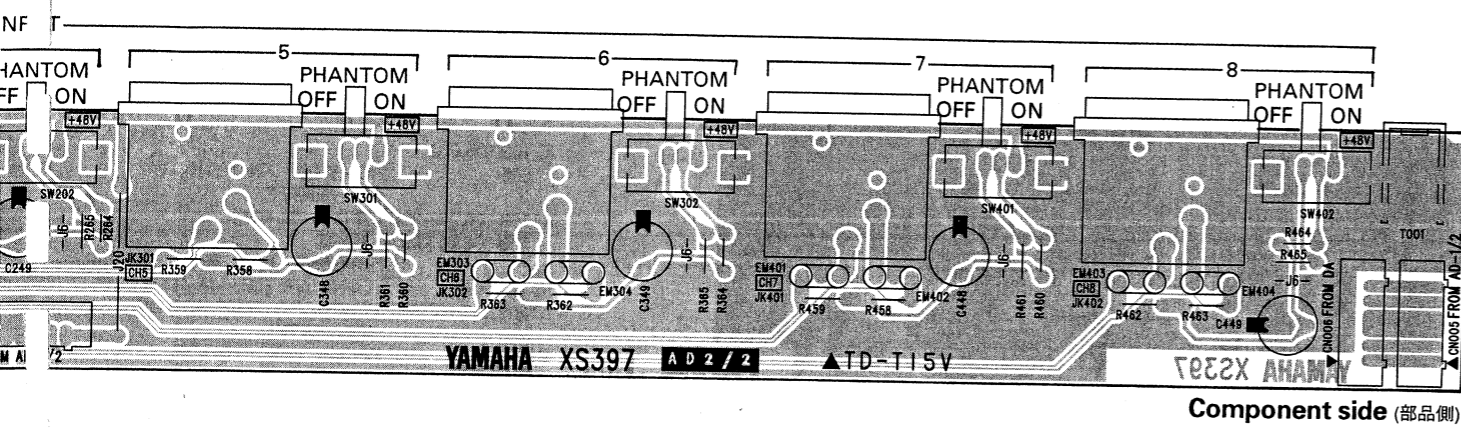
21. XLM Connector

- JK 101,102,201,202,301,302, 401,402: NC3FAH1-0 (VS133800) CH1-CH8

22. Connector

- CN 005: 52147- 6P TE (VF728300) to AD 1/2-CN004
- CN 006: 52147- 6P TE (VF728300) to DA-CN703
- CN 101: 52147- 6P TE (VF728300) to AD-CN102

- CN 201: 52147- 6P TE (VF728300) to AD-CN202
- CN 301: 52147- 6P TE (VF728300) to AD-CN302
- 23. Cable Holder
 - CN 001: 51048-12P TE (V1879000) to MAIN 1/2-CN003
 - CN 002: 51048-14P TE (V1879200) to MAIN 1/2-CN004
 - CN 003: 51048-15P TE (V1879300) to DC-CN105
 - CN 004: 51048- 6P TE (V1878400) to AD 2/2-CN005
 - CN 102: 51048- 6P TE (V1878400) to AD-CN101
 - CN 202: 51048- 6P TE (V1878400) to AD-CN201
 - CN 302: 51048- 6P TE (V1878400) to AD-CN301
 - CN 402: 51048- 7P TE (V1878500) to AD-CN401
- 24. Wire Trap
 - CN 401: 52147- 7P TE (VK025100) to AD-CN402
- 25. Jumper Wire
 - : FVP=2.0C26SB15-2 (--) CN003
 - : FVP=2.0C26SB12-1 (--) CN001
 - : FVP=2.0C26SB14-1 (--) CN002
 - : FVP=2.0C26SB6-60 (--) CN004, CN102, CN202, CN302
 - : FVP=2.0C26SB7-60 (--) CN402
 - : 0.55 (VA078900)

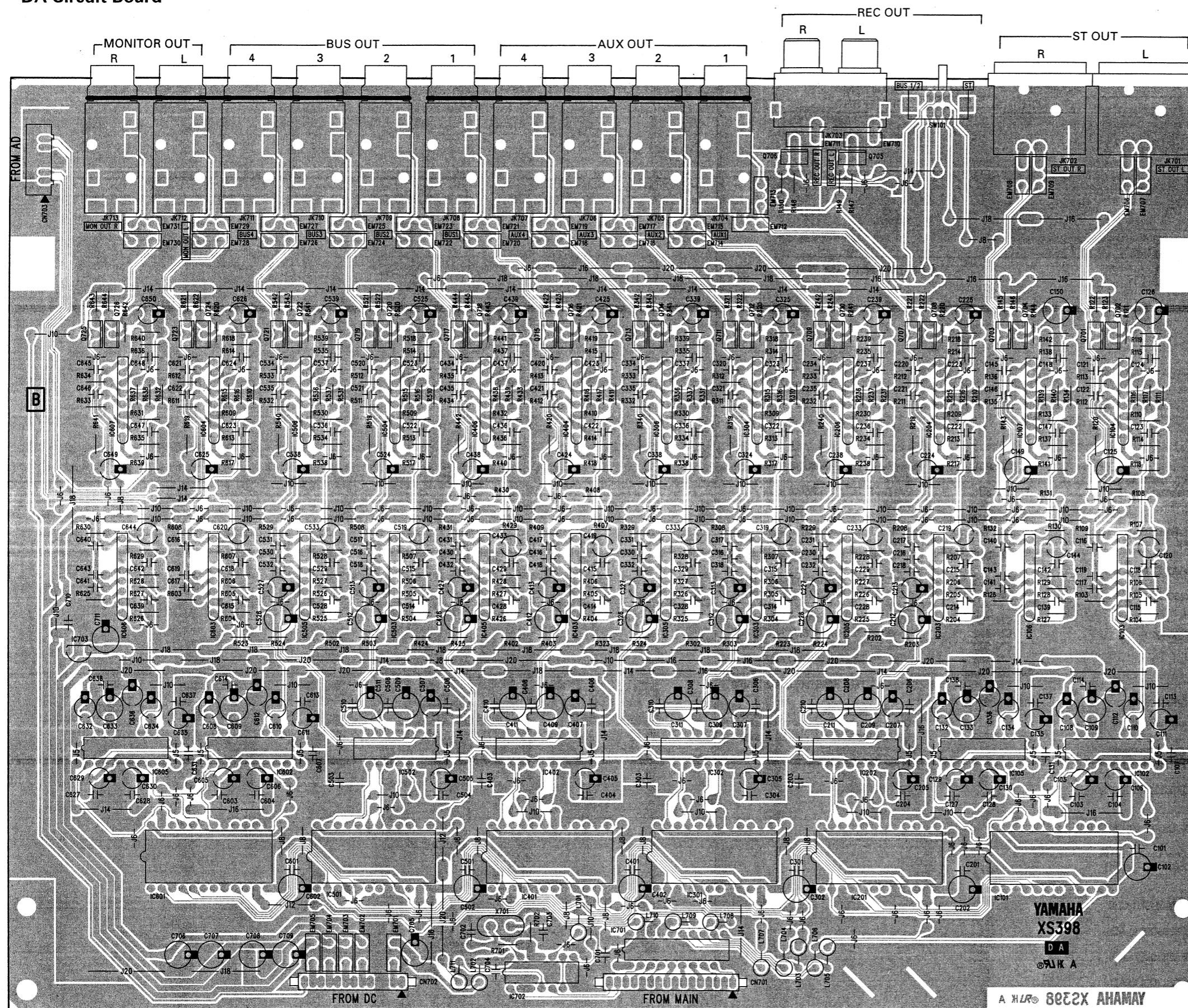


46, 319,
46:
K 1/5 F (VA074600)
30,403,430:
1/5 F (VB063200)
05, 1,232,
05, 1,432:
1/5 F (VB066200)
33,406,433:
1/5 (VA074100)
0, 3,237,
0, 3,437:
1/5 F (VB068800)
5,240,242,
5, 442:
1/5 (VB066300)
6,241,243,
6,441,443:
1/5 (VB067400)
1/5 (VB060900)
1/5 (VB068700)
1/5 F (VA074500)
1/5 F (VB067000)
1/5 (VB060800)
6, 622,
6,821,822,
1/5 F (VB067100)
3, 823,
1/5 (VB066500)
4,824,824,
1/5 F (VB068400)
W (VC745000)
2 RK14K (VS144900) MONITOR
LEVEL
2 RK14K (VS144900) PHONES
02,
1K113 (VV701400) GAIN

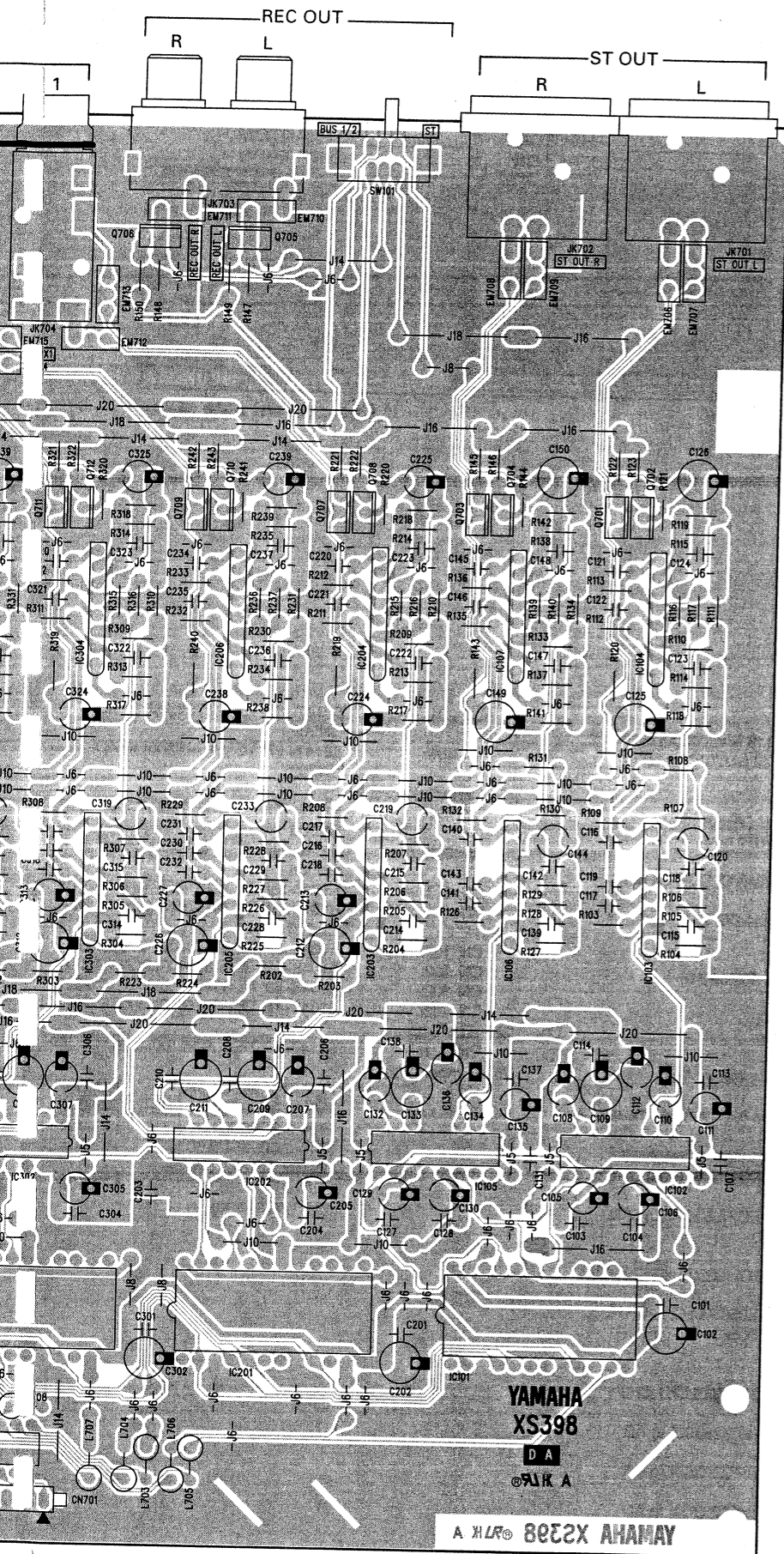
- VR 501,502,601,602,701,702,
801,802: C 100K RK11K113 (VV701500) GAIN
- VR 901: C 100K RK14KX2 (VV701300) GAIN
- 15. Slide Switch
SW 101,102,201,202,301,302,
401,402: SSSF112-S06N1 (VR365100)
PHANTOM ON/OFF
- 16. Push Switch
SW 051: SPEC12S (VG204800) CUE/2TR IN
SW 103,104,203,204,303,304,
403,404: SPEC12S (VG204800) PAD
- 17. LC Filter
EM 001,002,003,004,005,006,
053,054: LS MT Y223NB (FZ006970)
- 18. Ferrite Bead
L 001-015,051,052,101-106,205,206,
303-306,401-408,501-506,601-606,
701-706,801-806,901-906:
BL02RN1-R62T4 (GE300610)
- 19. Pin Jack, 2P
JK 051: w/E YKC21-3045 (VM725600) 2TR IN L/R
- 20. Phone Jack
JK 052: HLJ7001-01- (VS056300) PHONES
JK 103,104: HLJ4306(STEREO) (LB301920) CH1,
CH1 INSERT I/O
JK 105,106: HLJ4306(STEREO) (LB301920) CH2,
CH2 INSERT I/O
JK 203,204,303,304,403,404:
HLJ4306(STEREO) (LB301920) CH5-CH8
JK 501,502,601,602,701,702,
801,802: HLJ7001-01- (VS056300) CH9-CH16
JK 901,902: HLJ7001-01- (VS056300) ST IN L/R
- 21. XLM Connector
JK 101,102,201,202,301,302,
401,402: NC3FAH1-0 (VS133800) CH1-CH8
- 22. Connector
CN 005: 52147- 6P TE (VF728300) to AD
1/2-CN004
CN 006: 52147- 6P TE (VF728300) to DA-
CN703
CN 101: 52147- 6P TE (VF728300) to AD-
CN102

- CN 201: 52147- 6P TE (VF728300) to AD-
CN202
- CN 301: 52147- 6P TE (VF728300) to AD-
CN302
- 23. Cable Holder
CN 001: 51048-12P TE (VI879000) to MAIN 1/2-
CN003
CN 002: 51048-14P TE (VI879200) to MAIN 1/2-
CN004
CN 003: 51048-15P TE (VI879300) to DC-CN105
CN 004: 51048- 6P TE (VI878400) to AD 2/2-
CN005
CN 102: 51048- 6P TE (VI878400) to AD-CN101
CN 202: 51048- 6P TE (VI878400) to AD-CN201
CN 302: 51048- 6P TE (VI878400) to AD-CN301
CN 402: 51048- 7P TE (VI878500) to AD-CN401
- 24. Wire Trap
CN 401: 52147- 7P TE (VK025100) to AD-CN402
- 25. Jumper Wire
: FVP=2.0C26SB15-2 (-) CN003
: FVP=2.0C26SB12-1 (-) CN001
: FVP=2.0C26SB14-1 (-) CN002
: FVP=2.0C26SB6-60 (-) CN004,
CN102, CN202, CN302
: FVP=2.0C26SB7-60 (-) CN402
: 0.55 (VA078900)

• DA Circuit Board



- Notes)**
 Circuit Board: DA (VV169200) XS398B0
- 01. IC**
 IC 101,201,301,401,501,601: YSF210-D (XJ905A00) DIGITAL FILTER
 IC 102,105,602,605: PCM1702P (XN136A00) D/A CONVERTER
 IC 103,106,203-206,303-306,403-406,503-506,603,604,606,607: NJM2068L-D (XM356A00) OP AMP
 IC 104,107: NJM4556AL (XP844A00) OP AMP
 IC 202,302,402,502: PCM69AP-3 (XM051A00) D/A CONVERTER
 IC 701: SN74HC245N (IR024550) TRANSCEIVER
 IC 702: TC74HCU04AP (IG142200) HEX INVERTER
 IC 703: NJM78L05A (XJ596A00) REGULATOR +5V
- 02. Transistor**
 Q 701-726: 2SD1915(F) S,T (VK432900)
- 03. Mylar Capacitor**
 C 118,142,215,229,315,329,415,429,515,529,618,642: 6800P 50V J (UA353680)
 C 119,143,216,230,316,330,416,430,516,530,619,643: 3000P 50V J (UA353300)
 C 710: 0.1000 50V J (UA355100)
- 04. Ceramic Capacitor**
 C 115,139,615,639: 100P 50V K (VD841300)
 C 116,117,121,122,140,141,145,146,217,218,220,221,231,232,234,235,317,318,320,321,331,332,334,335,417,418,420,421,431,432,434,435,517,518,520,521,531,532,534,535,616,617,621,622,640,641,645,646: 0.0100 50V Z (FG644100)
 C 123,124,147,148,222,223,236,237,322,323,336,337,422,423,436,437,522,523,536,537,623,624,647,648: 33P 50V J (VD840700)
 C 214,228,314,328,414,428,514,528: 47P 50V J (VD840900)
 C 702,703: 22P 50V J (VD840500)
- 05. Semiconductive Cera. Cap.**
 C 101,103,104,107,113,114,127,128,131,137,138,201,203,204,206,208,210,301,303,304,306,308,310,401,403,404,406,408,410,501,503,504,506,508,510,601,603,604,607,613,614,627,628,631,637,638,701,704: 0.1000 25V Z (VC694800)
- 06. Monolithic Ceramic Cap.**
 C 151,152,651,652: 0.100 50V Z T=5 (VT957300)
- 07. Electrolytic Cap.**
 C 102,109,125,126,133,149,150,202,209,211,212,226,302,309,311,312,326,402,409,411,412,426,502,509,511,512,526,602,609,633,705,706,707,711: 100.00 16.0V (UJ838100)
 C 105,106,111,112,129,130,135,136,205,207,213,224,225,227,238,239,305,307,313,324,325,327,338,339,405,407,413,424,425,427,438,439,505,507,513,524,525,527,538,539,605,606,611,612,625,626,629,630,635,636,649,650: 10.00 16.0V (UJ837100)
 C 108,132,608,632: 22.00 16.0V (UJ837220)
 C 110,134,610,634: 47.00 16.0V (UJ837470)
 C 708,709: 100.00 25.0V (UJ848100)



Notes

Circuit Board: DA (VV169200) XS398B0.

- 01. IC**
 IC 101,201,301,401,501,601: YSF210-D (XJ905A00) DIGITAL FILTER
 IC 102,105,602,605: PCM1702P (XN136A00) D/A CONVERTER
 IC 103,106,203-206,303-306,403-406,503-506,603,604,606,607: NJM2068L-D (XM356A00) OP AMP
 IC 104,107: NJM4556AL (XP844A00) OP AMP
 IC 202,302,402,502: PCM69AP-3 (XM051A00) D/A CONVERTER
 IC 701: SN74HC245N (IR024550) TRANSCEIVER
 IC 702: TC74HCU04AP (IG142200) HEX INVERTER
 IC 703: NJM78L05A (XJ596A00) REGULATOR +5V

- 02. Transistor**
 Q 701-726: 2SD1915(F) S,T (VK432900)

- 03. Mylar Capacitor**
 C 118,142,215,229,315,329,415,429,515,529,618,642: 6800P 50V J (UA353680)
 C 119,143,216,230,316,330,416,430,516,530,619,643: 3000P 50V J (UA353300)
 C 710: 0.1000 50V J (UA355100)

- 04. Ceramic Capacitor**
 C 115,139,615,639: 100P 50V K (VD841300)
 C 116,117,121,122,140,141,145,146,217,218,220,221,231,232,234,235,317,318,320,321,331,332,334,335,417,418,420,421,431,432,434,435,517,518,520,521,531,532,534,535,616,617,621,622,640,641,645,646: 0.0100 50V Z (FG644100)
 C 123,124,147,148,222,223,236,237,322,323,336,337,422,423,436,437,522,523,536,537,623,624,647,648: 33P 50V J (VD840700)
 C 214,228,314,328,414,428,514,528: 47P 50V J (VD840900)
 C 702,703: 22P 50V J (VD840500)

- 05. Semiconductive Cera. Cap.**
 C 101,103,104,107,113,114,127,128,131,137,138,201,203,204,206,208,210,301,303,304,306,308,310,401,403,404,406,408,410,501,503,504,506,508,510,601,603,604,607,613,614,627,628,631,637,638,701,704: 0.1000 25V Z (VC694800)

- 06. Monolithic Ceramic Cap.**
 C 151,152,651,652: 0.100 50V Z T=5 (VT957300)

- 07. Electrolytic Cap.**
 C 102,109,125,126,133,149,150,202,209,211,212,226,302,309,311,312,326,402,409,411,412,426,502,509,511,512,526,602,609,633,705,706,707,711: 100.00 16.0V (UJ838100)
 C 105,106,111,112,129,130,135,136,205,207,213,224,225,227,238,239,305,307,313,324,325,327,338,339,405,407,413,424,425,427,438,439,505,507,513,524,525,527,538,539,605,606,611,612,625,626,629,630,635,636,649,650: 10.00 16.0V (UJ837100)
 C 108,132,608,632: 22.00 16.0V (UJ837200)
 C 110,134,610,634: 47.00 16.0V (UJ837470)
 C 708,709: 100.00 25.0V (UJ848100)

- 08. Electrolytic Cap.-BP**
 C 120,144,419,433: 47.00 25.0V (UN847470)
 C 219,233,319,333,519,533,620,644: 10.00 25.0V (UN847100)

- 09. Carbon Resistor**
 R 103,126,603,625,702: 1.0K 1/4 J (HF756100)
 R 107,130,207,228,307,328,407,429,507,528,607,629: 39.0 1/4 J (HF754390)
 R 109,120,121,132,143,144,208,219,220,229,240,241,308,319,320,329,340,341,409,420,421,431,442,443,508,519,520,529,540,541,608,619,620,630,641,642: 100.0K 1/4 J (HF758100)
 R 118,119,141,142,217,218,238,239,317,318,338,339,418,419,440,441,517,518,538,539,617,618,639,640: 75.0 1/4 J (HF754750)
 R 122,123,145,146,49,150,221,222,242,243,321,322,342,343,422,423,444,445,521,522,542,543,621,622,643,644: 4.7K 1/4 J (HF756470)
 R 701: 1.0M 1/4 J (HF759100)

- 10. Metal Film Resistor**
 R 104,127,604,626: 4.7K 1/5 F (VA074100)
 R 105,106,128,129,205,206,226,227,305,306,326,327,405,406,427,428,505,506,526,527,605,606,627,628: 1.0K 1/5 F (VB065500)
 R 108,131,408,430: 1.5K 1/5 F (VB065900)
 R 110,111,113,133,134,136,209,210,212,230,231,233,309,310,312,330,331,333,410,411,413,432,433,435,509,510,512,530,531,533,609,610,612,631,632,634: 10.0K 1/5 F (VA074400)
 R 112,135,211,232,311,332,412,434,511,532,611,633: 11.0K 1/5 F (VA074500)
 R 114,115,137,138,215,216,236,237,315,316,336,337,416,417,438,439,515,516,536,537,615,616,637,638: 18.0K 1/5 F (VB067900)
 R 116,117,139,140: 20.0K 1/5 F (VB068000)
 R 147,148: 1.1K 1/5 F (VB065600)
 R 202,223,302,323,402,424,502,523: 1.6K 1/5 F (VB066000)
 R 203,224,303,324,403,425,503,524: 330.0 1/5 F (VB063700)
 R 204,225,304,325,404,426,504,525: 9.1K 1/5 F (VB067500)
 R 213,214,234,235,313,314,334,335,414,415,436,437,513,514,534,535,613,614,635,636: 16.0K 1/5 F (VB067800)

- 11. Quartz Crystal Unit**
 X 701: 21.47727M AT-49 (VR529600)

- 12. Slide Switch**
 SW 101: SSS04 (VQ545800) SOURCE SELECT

- 13. LC Filter**
 EM 701,702,703,704,705: LS MT Y223NB (FZ006970)

- 14. Ferrite Bead**
 L 101-109,110,201-205,301-305,401-405,501-505,601-608,701-711: BL02RN1-R62T4 (GE300610)

- 15. Pin Jack**
 JK 703: REWH YKC21-3122 (VV031600) REC OUT L/R

- 16. Phone Jack**
 JK 704: HLJ7001-01-3010 (VS056300) AUX OUT 1
 HLJ7001-01-3010 (VS056300) AUX OUT 2
 JK 705: HLJ7001-01-3010 (VS056300) AUX OUT 3
 HLJ7001-01-3010 (VS056300) AUX OUT 4

- JK 706: HLJ7001-01-3010 (VS056300) AUX OUT 3
 JK 707: HLJ7001-01-3010 (VS056300) AUX OUT 4
 JK 708: HLJ7001-01-3010 (VS056300) SUB OUT 1
 JK 709: HLJ7001-01-3010 (VS056300) SUB OUT 2
 JK 710: HLJ7001-01-3010 (VS056300) SUB OUT 3
 JK 711: HLJ7001-01-3010 (VS056300) SUB OUT 4
 JK 712: HLJ7001-01-3010 (VS056300) MONITOR OUT L
 HLJ7001-01-3010 (VS056300) MONITOR OUT R

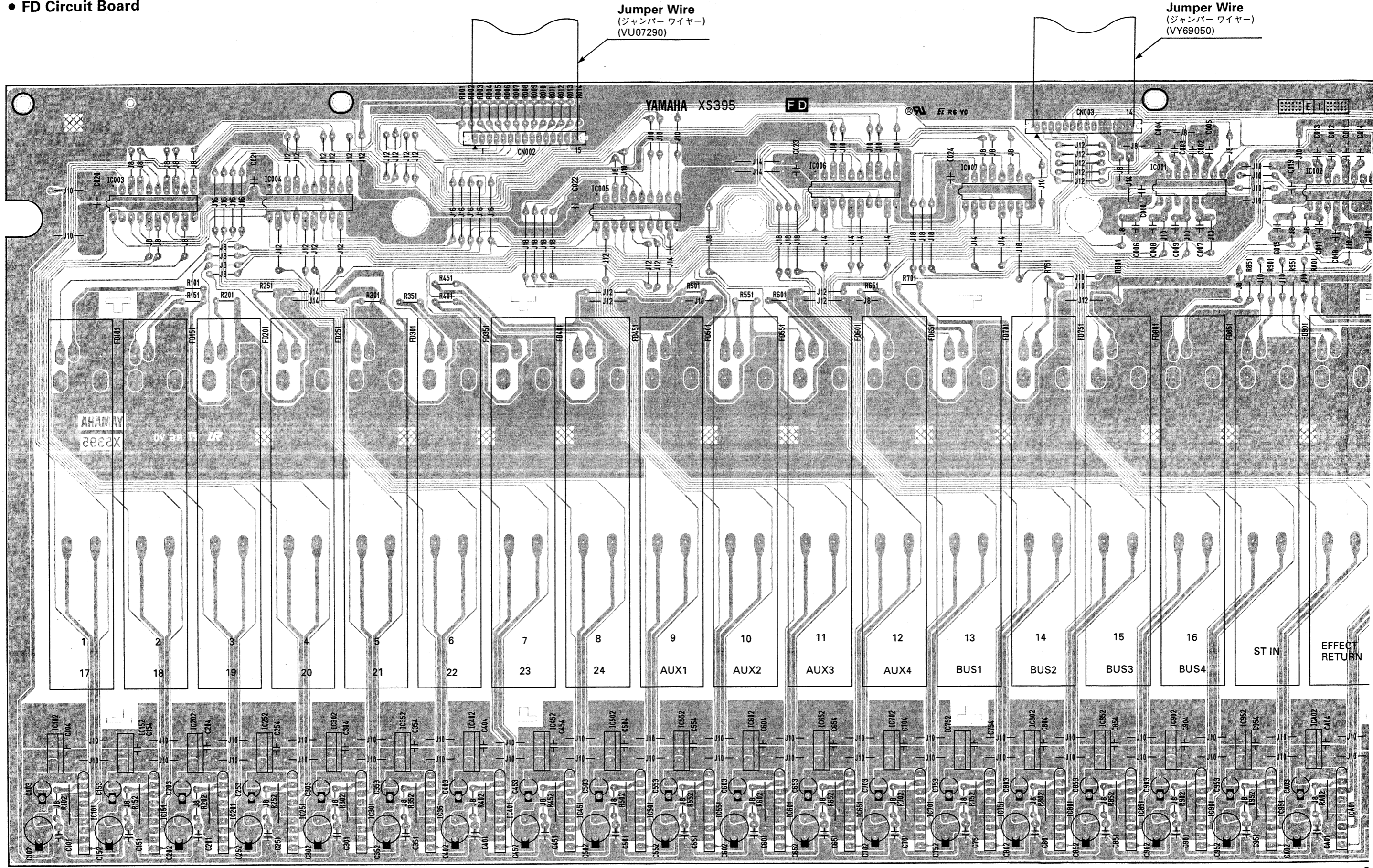
- 17. XLM Connector**
 JK 701: NC3MAH (VS133700) ST OUT L
 JK 702: NC3MAH (VS133700) ST OUT R

- 18. Connector**
 CN 703: 52147- 6P TE (VF728300) to AD 2/2-CN006

- 19. Cable Holder**
 CN 701: 51048-16P TE (V1879400) to MAIN 1/2-CN005
 CN 702: 51048-13P TE (V1879100) to DC-CN106

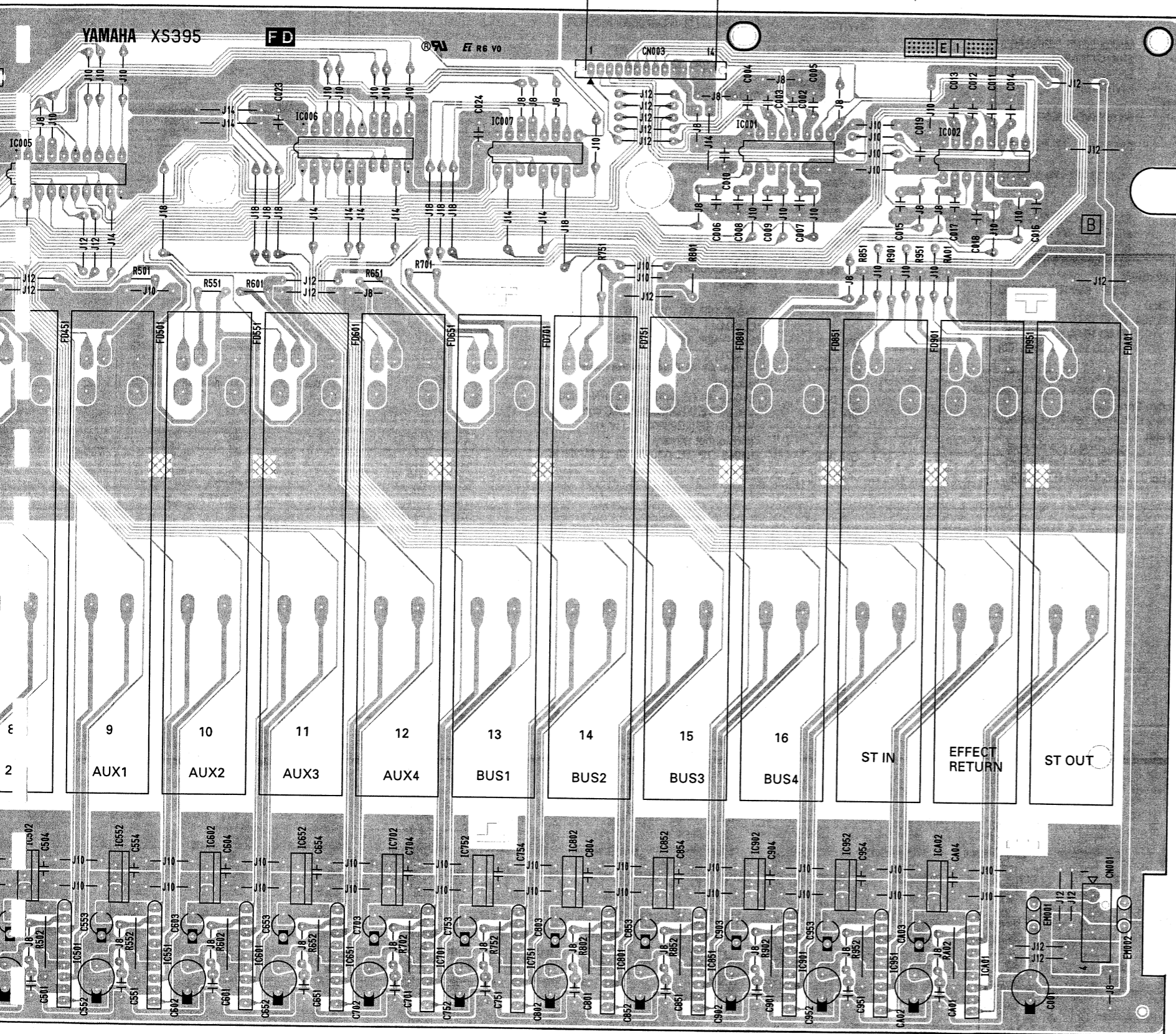
- 20. Jumper Wire**
 : FVP=2.0C26SB16-1 (-) CN701
 : FVP=2.0C26SB13-2 (-) CN702
 : FVP=2.0C26SB6-25 (-) CN703
 : 0.55 (VA078900)

● FD Circuit Board



Jumper Wire
(ジャンパーワイヤー)
(VU07290)

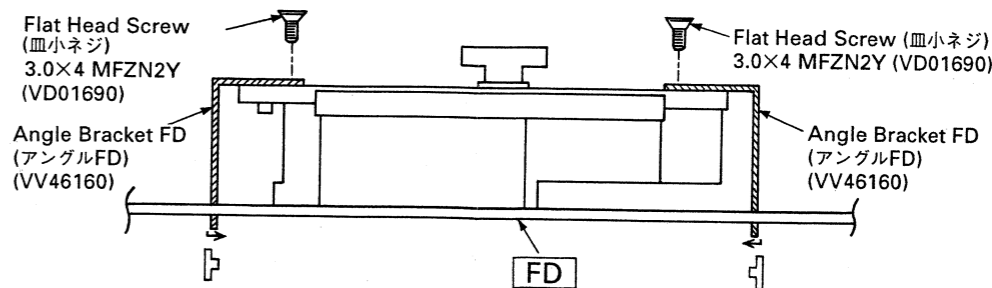
Jumper Wire
(ジャンパーワイヤー)
(VY69050)



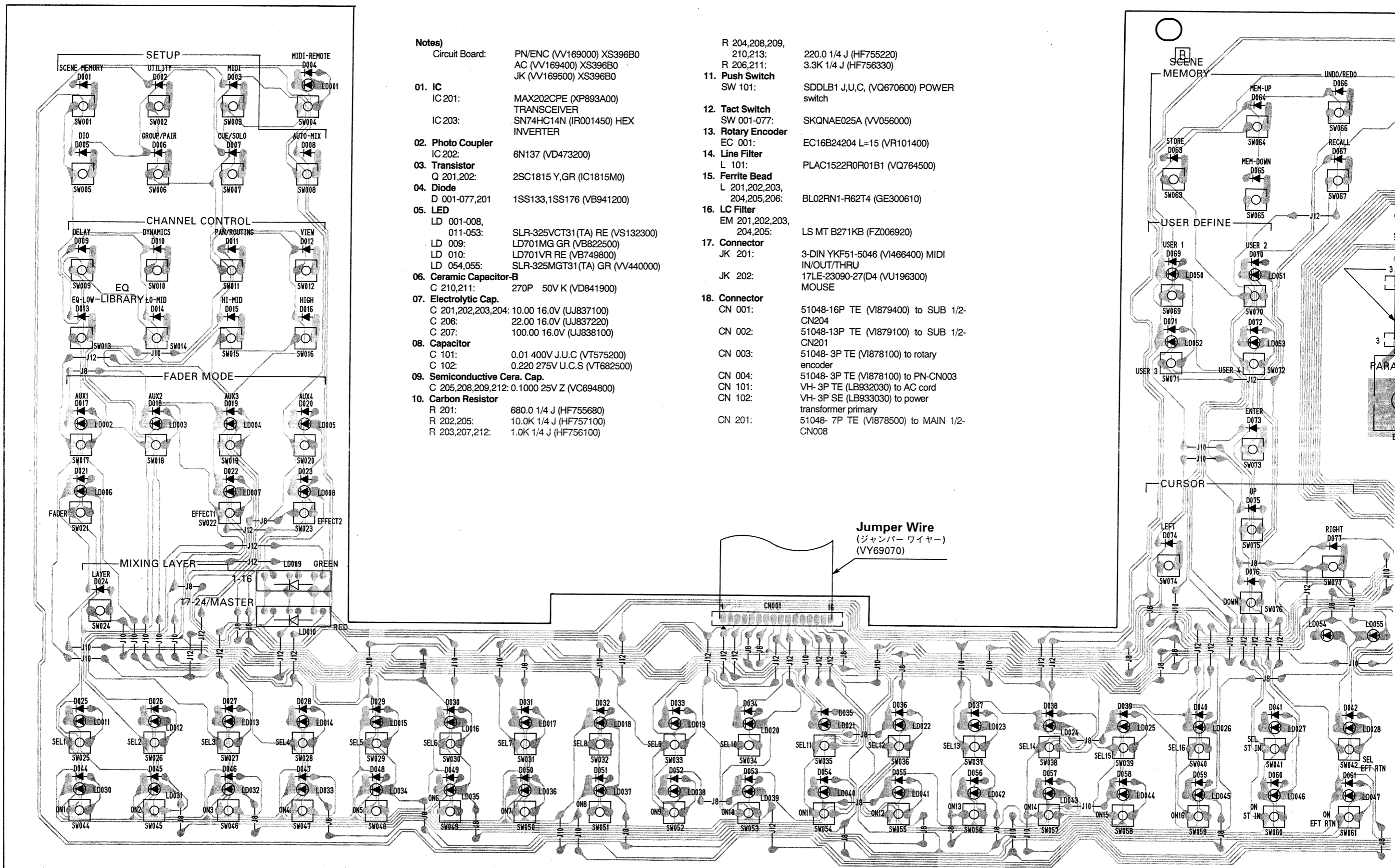
Notes)

- Circuit Board: FD (VV168900) XS395B0
- 01. IC
 - IC 001,002: TC4052BP (XA053A00) MULTIPLEXER
 - IC 003,004,005,006: SN74HC273N (IR027350) O-DFF
 - IC 007: SN74HC174N (IR017450) H-DFF
 - IC 101,151,201,251,301,351,401,451,501,551,601,651,701,751,801,851,901,951,A01: TA7291S (XF557A00) MOTOR DRIVER
 - IC 102,152,202,252,302,352,402,452,502,552,602,652,702,752,802,852,902,952,A02: NJM78M10FA (XS084A00) REGULATOR +10V
- 02. Electrolytic Cap.
 - C 001,102,152,202,252,302,352,402,452,502,552,602,652,702,752,802,852,902,952,02: 220.00 16.0V (UJ838220)
 - C 103,153,203,253,303,353,403,453,503,553,603,653,703,753,803,853,903,953,A03: 47.00 25.0V (UJ847470)
- 03. Semiconductive Cera. Cap.
 - C 002-024,101,104,151,154,201,204,251,254,301,304,351,354,401,404,451,454,501,504,551,554,601,604,651,654,701,704,751,754,801,804,851,854,901,904,951,954,A01,A04: 0.1000 25V Z (VC694800)
- 04. Carbon Resistor
 - R 001-.014: 10.0K 1/4 J (HF757100)
 - R 101,151,201,251,301,351,401,451,501,551,601,651,701,751,801,851,901,951,A01: 100.0 1/4 J (HF755100)
- 05. Metal Oxide Film Resistor
 - R 102,152,202,252,302,352,402,452,502,552,602,652,702,752,802,852,902,952,A02: 10.0 2W J (VC756300)
- 06. LC Filter
 - EM 001,002: LS MT Y223NB (FZ006970)
- 07. Slide Pot., Motor Drive
 - FD 101,151,201,251,301,351,401,451,501,551,601: B10K (VV626300)
 - FD 651,701,751,801,851,901,951,A01: B10K (VV626300)
- 08. Wire Assembly
 - CN 001: DC-FD (VV173700) to DC-CN102
- 09. Cable Holder
 - CN 002: 51048-15P TE (V1879300) to SUB 1/2-CN205
 - CN 003: 51048-14P TE (V1879200) to SUB 1/2-CN202
- 10. Jumper Wire
 - FVP=2.0C26SB15-1 (-) CN002
 - FVP=2.0C26SB14-2 (-) CN003
 - 0.55 (VA078900)
- 11. Cord Holder
 - BK-1 (CB069250)

• Angle Bracket FD installation (アングルFDの取り付け)



• PN/ENC Circuit Board



Notes)

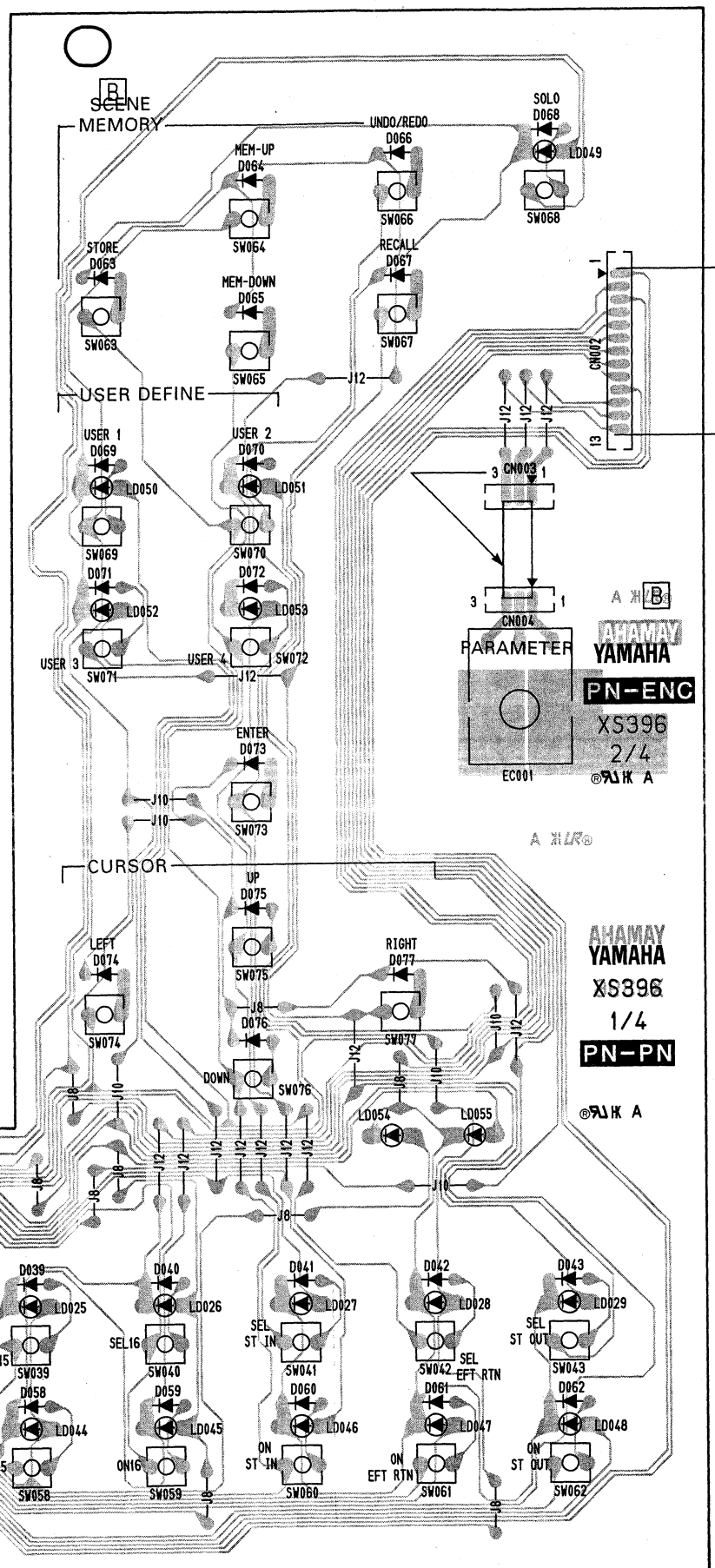
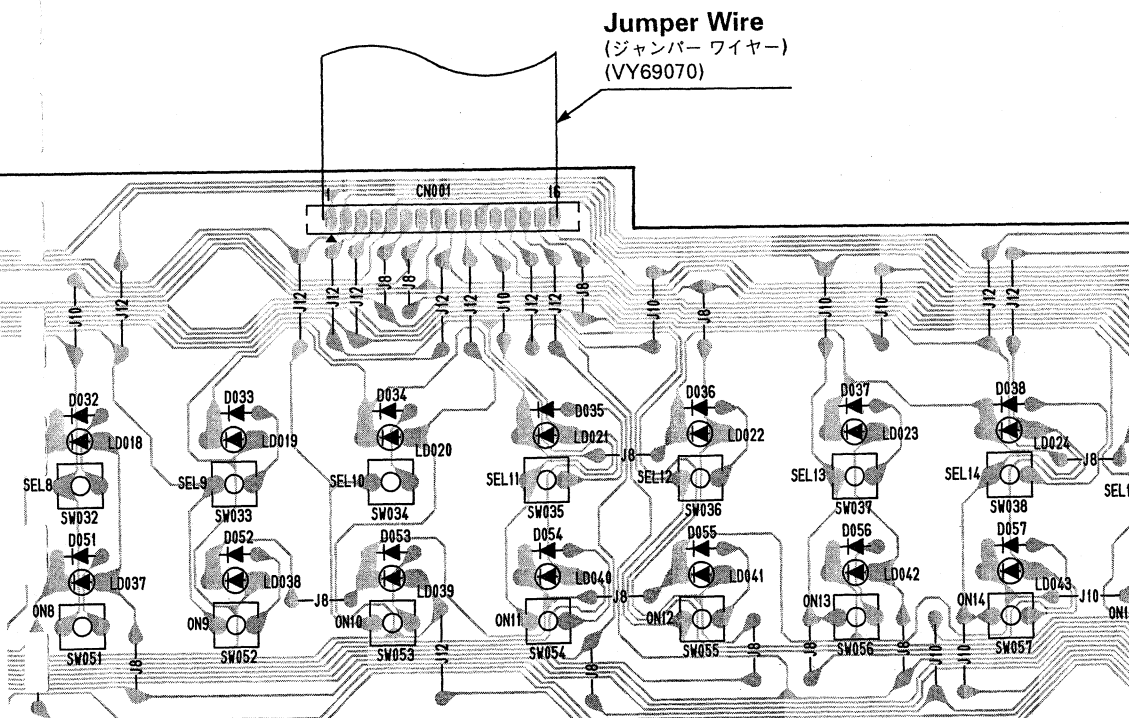
Circuit Board: PN/ENC (VV169000) XS396B0
 AC (VV169400) XS396B0
 JK (VV169500) XS396B0

- 01. IC
 IC 201: MAX202CPE (XP893A00) TRANSCEIVER
 IC 203: SN74HC14N (IR001450) HEX INVERTER
- 02. Photo Coupler
 IC 202: 6N137 (VD473200)
- 03. Transistor
 Q 201,202: 2SC1815 Y,GR (IC1815M0)
- 04. Diode
 D 001-077,201 1SS133,1SS176 (VB941200)
- 05. LED
 LD 001-008, 011-053: SLR-325VCT31(TA) RE (VS132300)
 LD 009: LD701MG GR (VB822500)
 LD 010: LD701VR RE (VB749800)
 LD 054,055: SLR-325MGT31(TA) GR (VV440000)
- 06. Ceramic Capacitor-B
 C 210,211: 270P 50V K (VD841900)
- 07. Electrolytic Cap.
 C 201,202,203,204: 10.00 16.0V (UJ837100)
 C 206: 22.00 16.0V (UJ837220)
 C 207: 100.00 16.0V (UJ838100)
- 08. Capacitor
 C 101: 0.01 400V J.U.C (VT575200)
 C 102: 0.220 275V U.C.S (VT682500)
- 09. Semiconductive Cera. Cap.
 C 205,208,209,212: 0.1000 25V Z (VC694800)
- 10. Carbon Resistor
 R 201: 680.0 1/4 J (HF755680)
 R 202,205: 10.0K 1/4 J (HF757100)
 R 203,207,212: 1.0K 1/4 J (HF756100)

- R 204,208,209, 210,213: 220.0 1/4 J (HF755220)
 R 206,211: 3.3K 1/4 J (HF756330)
- 11. Push Switch
 SW 101: SDDL1B1 J,U,C, (VQ670600) POWER switch
- 12. Tact Switch
 SW 001-077: SKQNAE025A (VV056000)
- 13. Rotary Encoder
 EC 001: EC16B24204 L=15 (VR101400)
- 14. Line Filter
 L 101: PLAC1522R0R01B1 (VQ764500)
- 15. Ferrite Bead
 L 201,202,203, 204,205,206: BL02RN1-R62T4 (GE300610)
- 16. LC Filter
 EM 201,202,203, 204,205: LS MT B271KB (FZ006920)
- 17. Connector
 JK 201: 3-DIN YKF51-5046 (V1466400) MIDI IN/OUT/THRU
 JK 202: 17LE-23090-27(D4) (VU196300) MOUSE
- 18. Connector
 CN 001: 51048-16P TE (V1879400) to SUB 1/2-CN204
 CN 002: 51048-13P TE (V1879100) to SUB 1/2-CN201
 CN 003: 51048-3P TE (V1878100) to rotary encoder
 CN 004: 51048-3P TE (V1878100) to PN-CN003
 CN 101: VH-3P TE (LB932030) to AC cord
 CN 102: VH-3P SE (LB933030) to power transformer primary
 CN 201: 51048-7P TE (V1878500) to MAIN 1/2-CN008

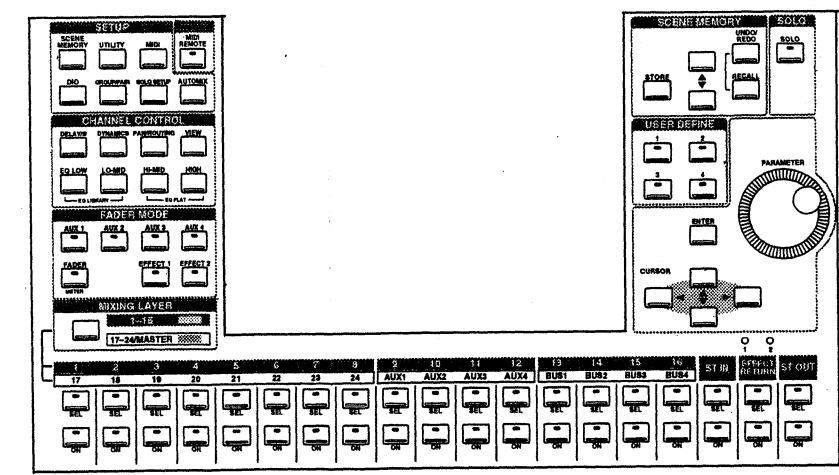
1/6 (0) XS396B0
 (00) XS396B0
 (00) XS396B0
 E (X 93A00)
 /ER
 J (FR001450) HEX
 732
 3R (IC1815M0)
 17K (B941200)
 T31 (TA) RE (VS132300)
 R (M822500)
 E (V 49800)
 T31 (A) GR (VV440000)
 (VD841900)
 (UJ 7100)
 (UJ 7220)
 (UJ838100)
 J.C T575200)
 J.C (VT682500)
 (VC694800)
 HF7 (680)
 HF7 (100)
 F756100)

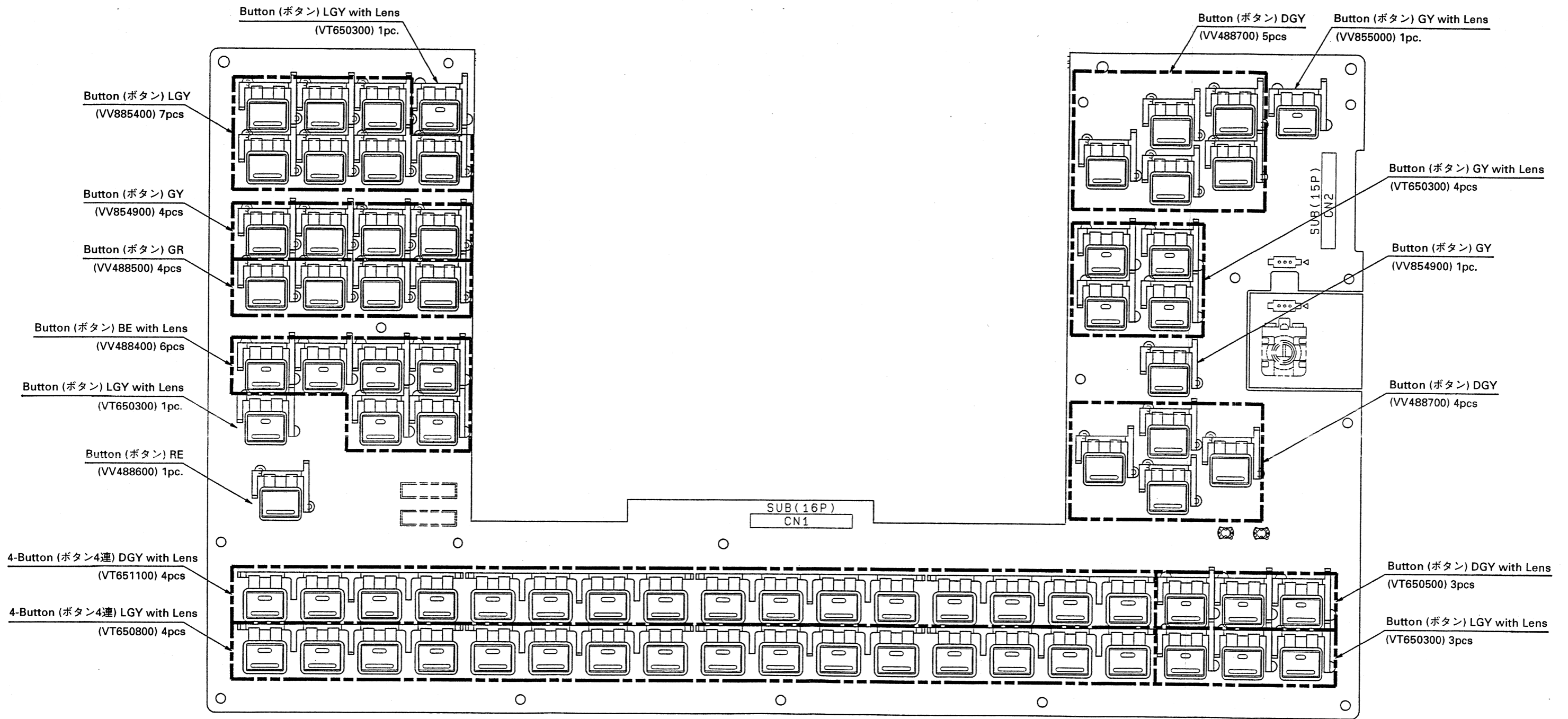
- R 204,208,209, 210,213: 220.0 1/4 J (HF755220)
- R 206,211: 3.3K 1/4 J (HF756330)
- 11. Push Switch SW 101: SDDL1 J,U,C, (VQ670600) POWER switch
- 12. Tact Switch SW 001-077: SKQNAE025A (VV056000)
- 13. Rotary Encoder EC 001: EC16B24204 L=15 (VR101400)
- 14. Line Filter L 101: PLAC1522R0R01B1 (VQ764500)
- 15. Ferrite Bead L 201,202,203, 204,205,206: BL02RN1-R62T4 (GE300610)
- 16. LC Filter EM 201,202,203, 204,205: LS MT B271KB (FZ006920)
- 17. Connector JK 201: 3-DIN YKF51-5046 (VI466400) MIDI IN/OUT/THRU
 JK 202: 17LE-23090-27(D4 (VU196300) MOUSE
- 18. Connector CN 001: 51048-16P TE (V1879400) to SUB 1/2-CN204
 CN 002: 51048-13P TE (V1879100) to SUB 1/2-CN201
 CN 003: 51048-3P TE (V1878100) to rotary encoder
 CN 004: 51048-3P TE (V1878100) to PN-CN003
 CN 101: VH- 3P TE (LB932030) to AC cord
 CN 102: VH- 3P SE (LB933030) to power transformer primary
 CN 201: 51048-7P TE (V1878500) to MAIN 1/2-CN008



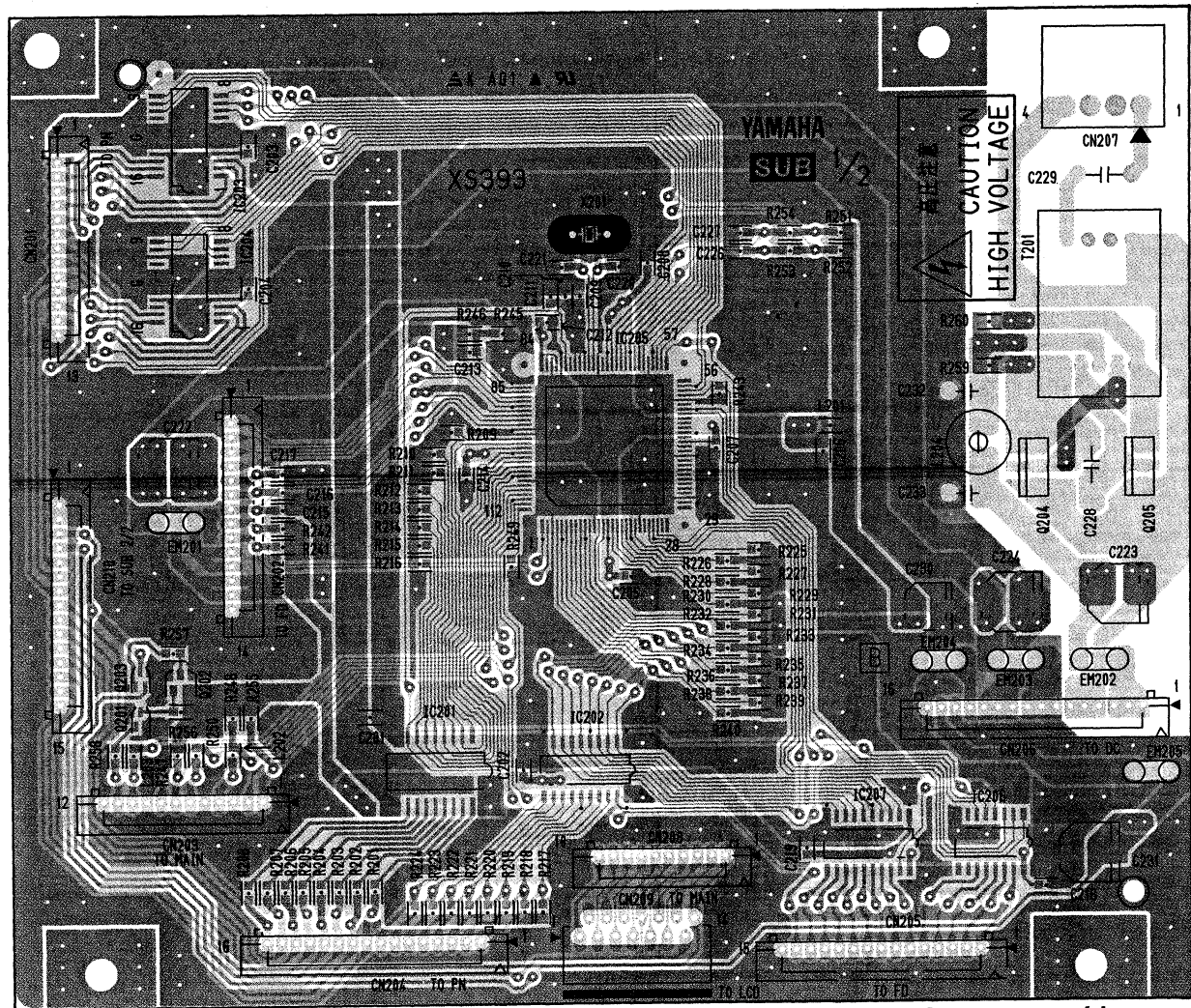
- 19. Jumper Wire
 : FVP=2.0C26SB3-50 (-) CN003
 : FVP=2.0C26SB13-2 (-) CN002
 : FVP=2.0C26SB7-30 (-) CN201
 : FVP=2.0C26SB16-1 (-) CN001
 : 0.55 (VA078900)
- 20. Button, LED
 TL/L-GY: (VT650300), ST IN, EFFECT RETURN, ST OUT, USER DEFINE(1-4), FADER METER, MIDI REMOTE
 TL/D-GY: (VT650500), ST IN, EFFECT RETURN, ST OUT
 TL/L-GY: (VT650800), Channel ON(1-16)
 TL/D-GY: (VT651100), Channel SEL(1-16)
 TL/BE: (VV488400), FADER MODE (AUX1, AUX2, AUX3, AUX4, EFFECT1, EFFECT2)
 GR/GR: (VV488500), CHANNEL CONTROL (EQ LOW, LO-MID, HI-MID, HIGH)
 RE/RE: (VV488600), MIXING LAYER
 D-GY/D-GY: (VV488700), CURSOR (4), SCENE MEMORY (5)
 409-3-GY/409-3-G: (VV854900), CHANNEL CONTROL (DELAY, DYNAMICS, PAN/ROUTING, VIEW), ENTER
 TL/409-3-GY: (VV855000), SOLO
 L-GY/L-GY: (VV885400), SETUP (SCENE MEMORY, MIDI, UTILITY, DIO, GROUP /PAIR, SOLO SETUP, AUTOMIX)
- 21. LED Spacer
 : (VM642400)

● Panel layout (パネル・レイアウト)



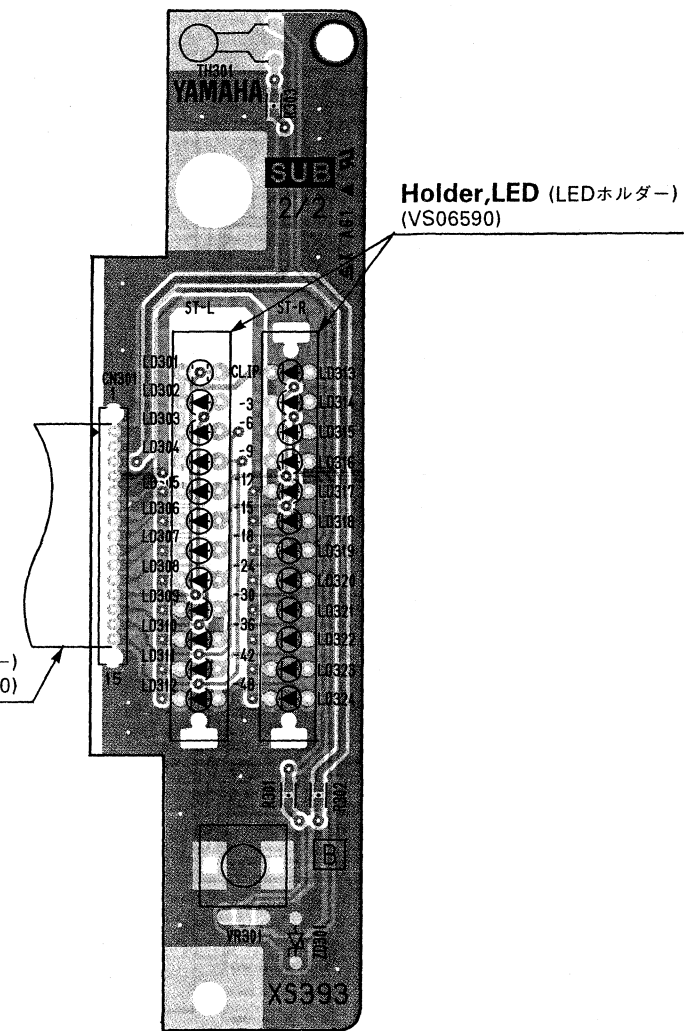


● SUB 1/2 Circuit Board



Component side (部品側)

● SUB 2/2 Circuit Board



Component side (部品側)

Notes

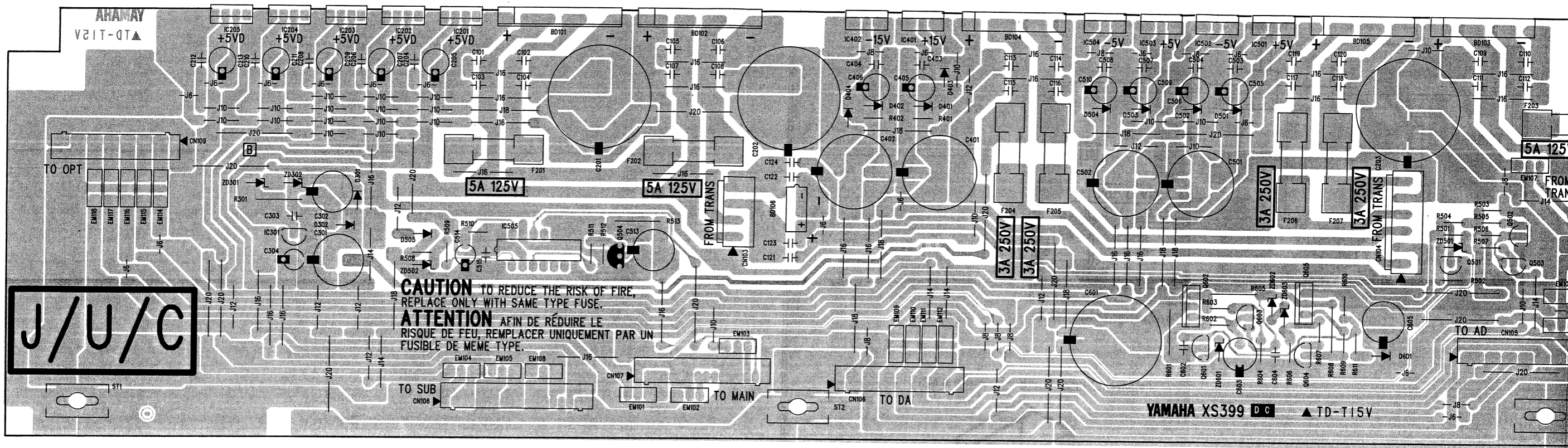
- Circuit Board: SUB 1/2(LCD-D) (NX007680) XS393B0
SUB 2/2(LEVEL) (NX007690) XS393B0
01. IC
IC 202,207: SN74HC245NSR (XD838A00)
TRANSCIEVER
IC 205: HD6437034F20 (XT198A00) CPU V1.00
IC 206: SN74HC138NSR (XD835A00)
DECODER
02. Transistor
Q 201,203: 2SC2SC4081T106 (VQ986700)
Q 202: 2SA1052 B,C (VQ395600)
Q 204,205: 2SD1863 TV2 82-3 (VS185600)
03. Transistor Array
IC 201: TD62783AF (VQ248400)
IC 203,204: TD62309F(EL) (VY703900)
04. Zener Diode
ZD 301: MTZJ6.8B 6.8V (VQ553900)
05. Thermistor
TH 301: ERT-D2FGL332S 3. (VT816300)
06. LED
LD 301,313: LN882RPX-(TA) OR (VQ735300)
LD 302-307, 314-319: LN482YPX-(TA) YE (VS184400)

- LD 308-312, 320-324: LN382GPX-(TA) GR (VQ917600)
07. Ceramic Capacitor-SL
C 229: 18P 3KV J (VS147400)
08. Monolithic Ceramic Cap.
C 201-219: F 0.100 25V Z (UB245100)
C 220,221: CH 10P 50V D (VJ899500)
C 226,227: CH 1000P 50V J (VJ904300)
09. Electrolytic Cap. (chip)
C 222,223,224: 100 16V (UF038100)
C 228: 0.068 250 ECQE (VP318400)
C 230: 33 16V (UF037300)
C 231: 47 35V UUR1 (UF157470)
10. Carbon Resistor (chip)
R 201-208: 33.0 0.1 J (RD254330)
R 209-243,246-249,251,252, 255-258,301: 10.0K 0.1 J (RD257100)
R 245,250: 100.0 0.1 J (RD255100)
R 253,254: 100.0K 0.1 J (RD258100)
R 259,260: 5.6K 0.1 J (RD256560)
R 302: 1.2K 0.1 J (RD256120)
R 303: 11.0K 0.1 J (RD257110)
11. Rotary Variable Resistor
VR 301: B10.0K RK09K1130 (VS368200)
CONTRUST control

12. Inverter Transformer
T 201: CLF16A (VT646400)
13. Coil
L 204: LH L 08TB221K (VS587900)
14. Chip Inductance
L 201-203: BLM21B751S 2125 (VS740100)
15. Quartz Crystal Unit
X 201: 20.0000M AT-49 (VI927300)
16. LC Filter
EM 201,202,203, 204,205: LS MT Y223NB (FZ006970)
17. Connector
CN 201: 52147-13P TE (VK025700) to PN-CN002
CN 202: 52147-14P TE (VK025800) to FD-CN003
CN 203: 52147-12P TE (VK025600) to MAIN 1/2-CN006
CN 204: 52147-16P TE (VJ861600) to PN-CN001
CN 205: 52147-15P TE (VF667600) to FD-CN002
CN 206: 52147-16P TE (VJ861600) to DC-CN108
CN 207: 53259-4P SE (VT389600) to LCD
CN 208: 52147-10P TE (VF728200) to MAIN 1/2-CN007
CN 209: 52044-14P SE (VF982200) to LCD
CN 210: 52147-15P TE (VF667600) to SUB 2/2-CN301

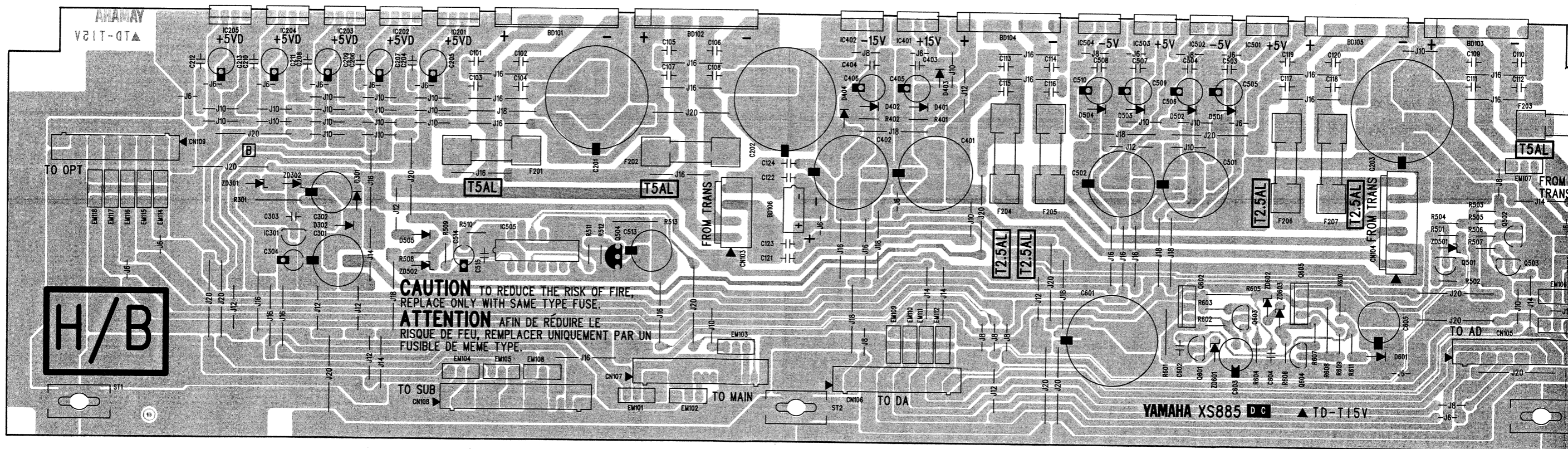
- CN 301: 51048-15P TE (VI879300) to SUB 1/2-CN210
18. LED Holder
: (VS065900)
19. Jumper Wire
: FVP=2.0C26SB15-8 (--) CN301

• DC Circuit Board (Japanese, U·S and Canadian models)

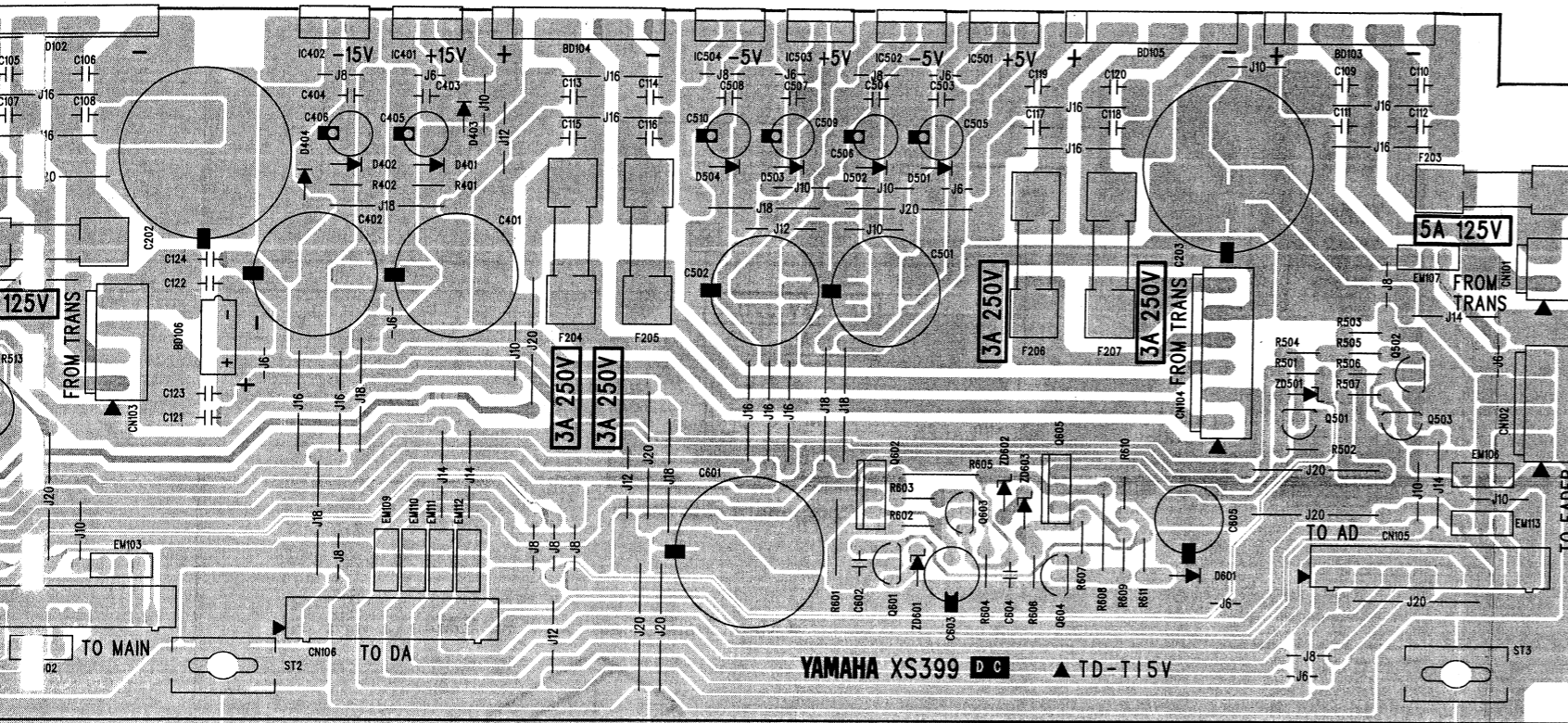


Component side

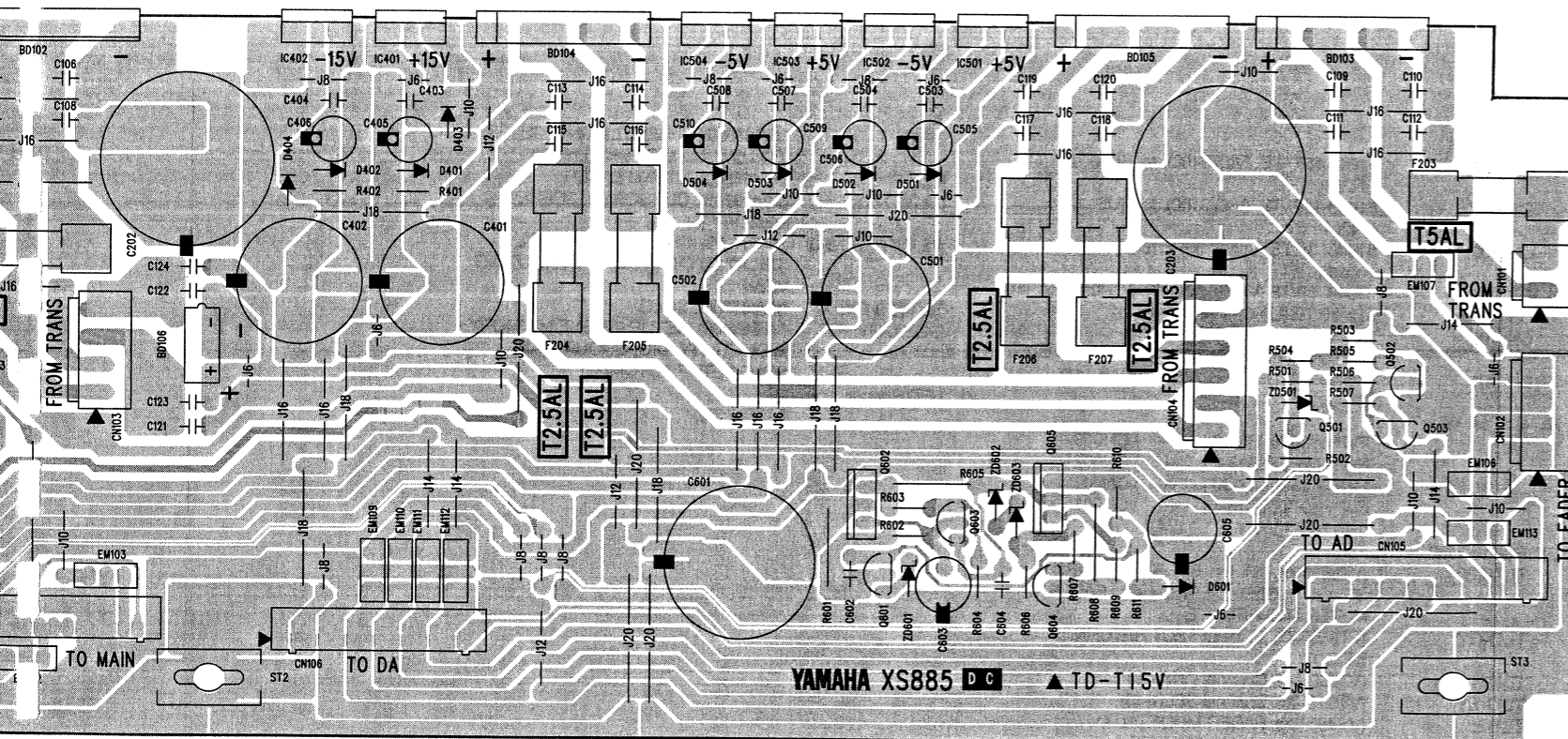
• DC Circuit Board (European model)



Component side



Component side (部品側)



Component side (部品側)

Notes

- Circuit Board: DC (-) J,U,C,V XS399B0
DC (-) H,B,W XS885B0
01. IC
IC 201,202,203, 204,205: PQ05RF2 (XH672A00) REGULATOR +5V 2A
IC 301: NJM79L24A (XS571A00) REGULATOR -24V 0.1A
IC 401: UPC2415AHF (XR608A00) REGULATOR +15V
IC 402: NJM7915FA (XD854A00) REGULATOR -15V
IC 501,503: UPC2405AHF (XR607A00) REGULATOR +5V
IC 502,504: NJM7905FA (XK309A00) REGULATOR -5V
IC 505: HD74HC123AP (IR012310) SINGLE SHOT
02. Transistor
Q 501: 2SC1815 Y,GR (IC1815M0)
Q 502: 2SA1015 O,Y (IA101590)
Q 503: 2SB647 C,D (IB064730)
Q 504: 2SD667 C,D (ID066700)
Q 601,603,604: 2SC3200 GR (VS150800)
Q 602,605: 2SD2015 (VM923000)
03. Diode
D 301,302,401-404, 501-505,601: 11ES4 (VB481900)
04. Diode Stack
BD 101,102: D6SB60L 6.0A 600 (VT682400)
BD 103,104,105: D3SBA20 4.0A 20 (VT359600)
BD 106: S1WB(A)60 1.0A (VB845300)
05. Zener Diode
ZD 301: MTZJ15B 15.0V (VQ556000)
ZD 302: MTZJ24B 24.0V (VQ557500)
ZD 501: MTZJ6.2B 6.2V (VQ313100)
ZD 502: MTZJ4.3A 4.3V (V1241100)
ZD 601: MTZJ6.8B 6.8V (VQ553900)
ZD 602: MTZJ33B 33.0V (VQ558500)
ZD 603: MTZJ27B 27.0V (VQ557800)
06. Mylar Capacitor
C 303,403,404,503, 504,507,508: 0.1000 50V J (UA355100)
07. Monolithic Mylar Capacitor
C 204,206,208,210, 212: ECQ-V1H334JL3 (VR169000)
08. Ceramic Capacitor-E
C 101-124,602, 604: 4700P 500V M (VS589000)
09. Semiconductive Cera. Cap.
C 515: 0.1000 25V Z (VC694800)
10. Electrolytic Cap.
C 201,202: 22000 16 USP (VT598600)
C 203: 15000 25 USP (VS310900)
C 205,207,209,211, 213,505,506,509, 510: 100.00 16.0V (UJ838100)
C 301: 100.00 100.0V (UJ698100)
C 302,605: 47.00 100.0V (UJ697470)
C 304: 10.00 50.0V (UJ867100)
C 401,402: 2200 35.0V (UJ659220)
C 405,406: 100.00 25.0V (UJ848100)
C 501,502: 4700 16.0V (UJ639470)
C 513: 1000 16.0V (UJ839100)
C 514: 1.00 50.0V (UJ866100)
C 601: 1000 100 USP (VT598700)
C 603: 10.0 100.0V (UJ897100)

11. Carbon Resistor

- R 401,402,505, 506,606: 10.0K 1/4 J (HF757100)
R 501,511,512: 4.7K 1/4 J (HF756470)
R 502,503,607, 609: 2.2K 1/4 J (HF756220)
R 504,507,602: 22.0K 1/4 J (HF757220)
R 508: 1.2K 1/4 J (HF756120)
R 509: 1.0K 1/4 J (HF756100)
R 510: 75.0K 1/4 J (HF757750)
R 603: 5.6K 1/4 J (HF756560)
R 604: 100.0K 1/4 J (HF758100)

12. Metal Film Resistor

- R 610: 47.0K 1/5 F (VB068800)
R 611: 8.2K 1/5 F (VB067400)

13. Metal Oxide Film Resistor

- R 301: 560.0 1W J (VC746800)
R 513: 47.0 1W J (VC744200)
R 601: 5.6K 1W J (VC749400)
R 605: 22.0 1W J (VC743400)
R 608: 12.0K 1W J (VC750200)

14. LC Filter

- EM 101-118: LS MT Y223NB (FZ006970)

15. Base Post Connector

- CN 101: VH- 2P TE (LB932020) to Power transformer secondary
CN 102: VH- 4P TE (LB932040) to FD-CN001
CN 103: VH- 4P TE (LB932040) to Power transformer secondary
CN 104: VH- 6P TE (LB932060) to Power transformer secondary

16. Connector

- CN 105: 52147-15P TE (VF667600) to AD 1/2-CN003
CN 108: 52147-16P TE (VJ861600) to SUB 1/2-CN206

17. Wire Trap

- CN 106: 52147-13P TE (VK025700) to DA-CN702
CN 107: 52147-14P TE (VK025800) to MAIN 1/2-CN002
CN 109: 52147-13P TE (VK025700) to MAIN 2/2-CN503

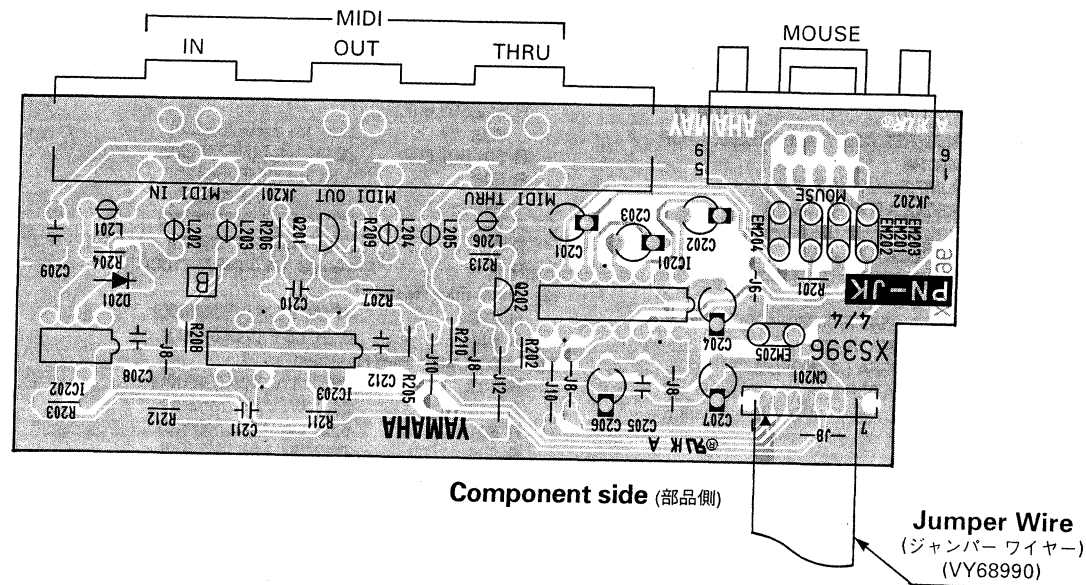
18. Fuse Holder

- F 201,202,203,204, 205,206,207: PC-PH1 (LB201530)

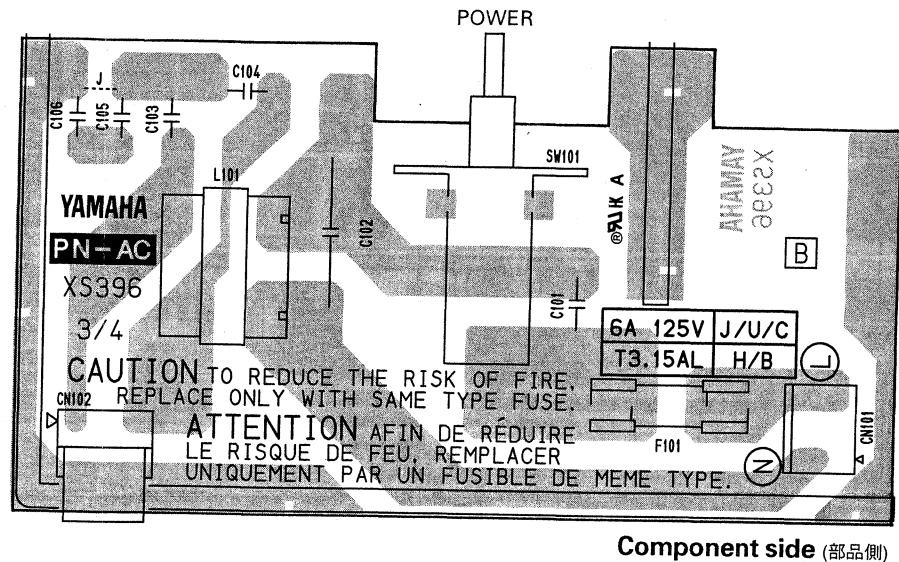
19. Jumper Wire

- : 0.55 (VA078900)

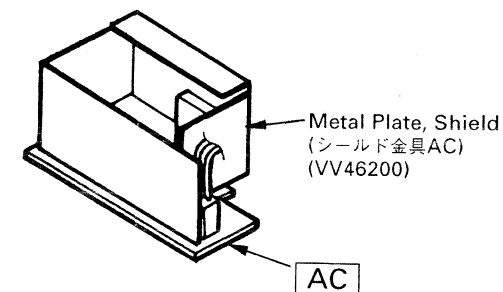
• JK Circuit Board



• AC Circuit Board



• Metal Plate,Shield (シールド金具AC)



Notes

- Circuit Board: PN/ENC (VV169000) XS396B0
AC (VV169400) XS396B0
JK (VV169500) XS396B0
- 01. IC
IC 201: MAX202CPE (XP893A00)
TRANSCEIVER
IC 203: SN74HC14N (IR001450) HEX
INVERTER
- 02. Photo Coupler
IC 202: 6N137 (VD473200)
- 03. Transistor
Q 201,202: 2SC1815 Y,GR (IC1815M0)
- 04. Diode
D 001-077,201: 1SS133,1SS176 (VB941200)
- 05. LED
LD 001-008,
011-053: SLR-325VCT31(TA) RE (VS132300)
LD 009: LD701MG GR (VB822500)
LD 010: LD701VR RE (VB749800)
LD 054,055: SLR-325MGT31(TA) GR (VV440000)
- 06. Ceramic Capacitor-B
C 210,211: 270P 50V K (VD841900)
- 07. Electrolytic Cap.
C 201,202,203,204: 10.00 16.0V (UJ837100)
C 206: 22.00 16.0V (UJ837220)
C 207: 100.00 16.0V (UJ838100)
- 08. Capacitor
C 101: 0.01 400V J.U.C (VT575200)
C 102: 0.220 275V U.C.S (VT682500)

09. Semiconductive Cera. Cap.

C 205,208,209,212: 0.1000 25V Z (VC694800)

10. Carbon Resistor

- R 201: 680.0 1/4 J (HF755680)
- R 202,205: 10.0K 1/4 J (HF757100)
- R 203,207,212: 1.0K 1/4 J (HF756100)
- R 204,208,209,
210,213: 220.0 1/4 J (HF755220)
- R 206,211: 3.3K 1/4 J (HF756330)

11. Push Switch

SW 101: SDDL B1 J,U,C, (VQ670600) POWER
switch

12. Tact Switch

SW 001-077: SKQNAE025A (VV056000)

13. Rotary Encoder

EC 001: EC16B24204 L=15 (VR101400)

14. Line Filter

L 101: PLAC1522R0R01B1 (VQ764500)

15. Ferrite Bead

L 201,202,203,
204,205,206: BL02RN1-R62T4 (GE300610)

16. LC Filter

EM 201,202,203,
204,205: LS MT B271KB (FZ006920)

17. Connector

JK 201: 3-DIN YKF51-5046 (V1466400) MIDI
IN/OUT/THRU
JK 202: 17LE-23090-27(D4) (VU196300)
MOUSE

18. Connector

- CN 001: 51048-16P TE (V1879400) to SUB 1/2-
CN204
- CN 002: 51048-13P TE (V1879100) to SUB 1/2-
CN201
- CN 003: 51048- 3P TE (V1878100) to rotary
encoder
- CN 004: 51048- 3P TE (V1878100) to PN-CN003
- CN 101: VH- 3P TE (LB932030) to AC cord
- CN 102: VH- 3P SE (LB933030) to power
transformer primary
- CN 201: 51048- 7P TE (V1878500) to MAIN 1/2-
CN008

19. Jumper Wire

- : FVP=2.0C26SB3-50 (-) CN003
- : FVP=2.0C26SB13-2 (-) CN002
- : FVP=2.0C26SB7-30 (-) CN201
- : FVP=2.0C26SB16-1 (-) CN001
- : 0.55 (VA078900)

20. Button, LED

- TL/L-GY: (VT650300), ST IN, EFFECT RETURN,
ST OUT,USER DEFINE(1-4), FADER
METER,MIDI REMOTE
- TL/D-GY: (VT650500), ST IN,EFFECT RETURN,
ST OUT
- TL/L-GY: (VT650800), Channel ON(1-16)
- TL/D-GY: (VT651100), Channel SEL(1-16)
- TL/BE: (VV488400), FADER MODE (AUX1,
AUX2, AUX3, AUX4, EFFECT1,
EFFECT2)

GR/GR:

(VV488500), CHANNEL CONTROL
(EQ LOW, LO-MID,HI-MID,HIGH)

RE/RE:

(VV488600), MIXING LAYER

D-GY/D-GY:

(VV488700), CURSOR (4), SCENE
MEMORY (5)

409-3-GY/409-3-G:

(VV854900), CHANNEL CONTROL
(DELAY, DYNAMICS, PAN/ROUTING,
VIEW

TL/409-3-GY:

(VV855000), SOLO

L-GY/L-GY:

(VV885400), SETUP (SCENE MWMORY,
MIDI, UTILITY, DIO, GROUP /PAIR,
SOLO SETUP,AUTOMIX

21. LED Spacer

: (VM642400)

INSPECTIONS

A PREPARATION

Unless otherwise specified, the controls and switches are to be set as follows:

- Set the word clock at 48 kHz (Internal).
- Turn on only measurement channel.

PAN	Center
GAIN	Minimum
PAD	ON
FADER	NOMINAL (0 dB)

- The analog output loads are as follows:

STEREO OUT (XLR):	600 Ω
BUS OUT 1, 2, 3, 4:	10 k Ω
AUX OUT 1, 2, 3, 4:	10 k Ω
REC OUT (PIN):	10 k Ω
MONITOR OUT:	10 k Ω
PHONES:	8 Ω
- 0 dBs=0.775 Vrms
- 0 dBV=1 Vrms=2.2 dBs
- Oscillator output impedance: 150 Ω
- Oscilloscope input impedance: more than 100 k Ω
- Level meter input impedance: more than 100 k Ω
- For the noise level measurement, use a low pass filter with the cut-off frequency of 12.7 kHz, -6 dB/OCT must be used. (Make measurement in the average effect value, not the actual effect value.)

B INITIALIZATION

After you have performed initialization to reset the console to its factory settings, carry out inspections.

Turn the POWER switch on while pressing the STORE key, then press the RECALL key to initialize.

C TEST PROGRAM

While pressing the UTILITY, HI-MID and FADER keys simultaneously, turn the POWER switch on to enter the test program.

Refer to the TEST PROGRAM section of this service manual for details of the inspections using the test program.

D INSPECTION

1. ST OUT L/R

Condition: Apply a signal to INPUT CH1.

① Frequency response (L/R)

Condition: The allowable range is based on 1 kHz.

Input frequency	Input level	Allowable range
20 Hz	+10 dBs	-1.5 dB~0 dB
20 kHz	+10 dBs	-1.0 dB~0 dB

② Residual Noise (L/R)

Condition: Set the ST OUT switch OFF.

Rated output level
Less than -94 dBs

③ Crosstalk between L and R

Condition: Set the PAN at L.

Input frequency	Output level (L)	Allowable range (R)
1 kHz	+16 dBs	Less than -54 dBs

Note: Confirm that the Rch crosstalk is at the same level as above.

④ Level difference between L/R

Check that the difference in 1 kHz gain measured in status

① is within the following range.

Rated output level
Less than 1 dB

2. REC OUT L/R

Conditions: Apply a signal to INPUT CH1.

Set the SOURCE SELECT to ST OUT.

① Gain (L/R)

Input frequency	Input level	Rated output level	Allowable range
1 kHz	+10 dBs	-10 dBV	-10 dBV \pm 2 dB

② Frequency response (L/R)

Condition: The allowable range is based on 1 kHz.

Input frequency	Input level	Allowable range
20 Hz	+10 dBs	-1.5 dB~0 dB
20 kHz	+10 dBs	-1.0 dB~0 dB

3. AUX OUT 1, 2, 3, 4 BUS OUT 1, 2, 3, 4

Conditions: Apply a signal to INPUT CH1.

Set the ASSIGN switches 1~4 to ON.

Set the AUX CH FADER at NOMINAL (0 dB).

Set the BUS MASTER FADER at NOMINAL (0 dB).

① Frequency response (AUX 1, 2, 3, 4/ BUS 1, 2, 3, 4)

Condition: The allowable range is based on 1 kHz.

Input frequency	Input level	Allowable range
20 Hz	+10 dBs	-1.5 dB~0 dB
20 kHz	+10 dBs	-1.0 dB~0 dB

② Residual Noise (AUX 1, 2, 3, 4/ BUS 1, 2, 3, 4)

Conditions: Set the AUX OUT and BUS OUT switches to OFF.

Allowable range
Less than -87 dBs

③ Crosstalk between odd-numbered channels and even-numbered channels

Conditions: Set the measured AUX CH FADER at NOMINAL (0 dB).

Set the measured BUS ASSIGN switch to ON.

Input frequency	Output level (Odd-numbered channel)	Allowable range (Even-numbered channel)
1 kHz	+16 dBs	Less than -54 dBs

Note: Confirm that the even-numbered channel crosstalk is at the same level as above.

- ④ Gain difference between channels AUX (1, 2, 3, 4), BUS (1, 2, 3, 4)

Check that the difference in 1 kHz gain measured in status ① is within the following range.

Allowable range
Within 1 dB

4. REC OUT L/R

Conditions: Apply a signal to input CH1.
 Set ASSIGN switches 1 and 2 to ON.
 Set the BUS MASTER FADERS 1 and 2 at NOMINAL (0 dB).
 Set the SOURCE SELECT to BUS OUT.

- ① Gain

Input frequency	Input level	Rated output level	Allowable range
1 kHz	+10 dBs	-10 dBV	-10 dBV ±2 dB

5. MONITOR OUT L/R

Conditions: Apply a signal to INPUT CH1.
 Set the SOLO/2TR IN to SOLO.
 Set the MONITOR OUT LEVEL at Maximum.

- ① Frequency response (L/R)

Condition: The allowable range is based on 1 kHz.

Input frequency	Input level	Allowable range
20 Hz	+10 dBs	-1.5 dB~0 dB
20 kHz	+10 dBs	-1.0 dB~0 dB

- ② Residual Noise (L/R)

MONITOR OUT LEVEL	Allowable range (MONITOR)
Maximum	Less than -94 dBs
Minimum	Less than -100 dBs

- ③ Crosstalk between L and R

Condition: Set the PAN at L.

Input frequency	Output level (L)	Allowable range (R)
1 kHz	+16 dBs	Less than -54 dBs

Note: Confirm that the Rch crosstalk is at the same level as above.

- ④ Level difference between L/R

Check that the difference in 1 kHz gain measured in status ① is within the following range.

Allowable range
Within 1 dB

6. OUTPUT LEVEL DIFFERENCE

Conditions: Check that the difference in gain between each output of ST OUT (L, R), AUX (1, 2, 3, 4), BUS OUT (1, 2, 3, 4) and MONITOR OUT (L, R) are within the range shown below with 1 kHz as a reference.

Allowable range
Within 2 dB

7. PHONES OUT L/R

Conditions: Apply a signal to INPUT CH1.
 Set the PHONES LEVEL at Maximum.

- ① Frequency response(L/R)

Condition: The allowable range is based on 1 kHz.

Input frequency	Input level	Allowable range
20 Hz	+10 dBs	-3 dB~0 dB
20 kHz	+10 dBs	-1 dB~0 dB

- ② Residual Noise (L/R)

Condition: Set the PHONES LEVEL at Minimum.

Allowable range
Less than -100 dBs

- ③ Crosstalk between L and R

Condition: Set the PAN at L.

Input frequency	Output level(L)	Allowable range (R)
1 kHz	-10 dBs	Less than -75 dBs

Note: Confirm that the Rch crosstalk is at the same level as above.

- ④ Level difference between L/R

Check that the difference in 1 kHz gain measured in status ① is within the following range.

Allowable range
Within 1 dB

8. MAXIMUM OUTPUT

Set the internal oscillator frequency and level, output terminal assignment and fader position as follows:

A Oscillator and output assignment

A-1 Select the "00" address using ▲ or ▼ buttons on the SCENE MEMORY section and press the RECALL button. (Fig. 1)

A-2 Press the UTILITY button in the SETUP section. (Fig. 2)

A-2-1 Select the SINE 1 kHz using CURSOR ▼ button on the screen control section and press the ENTER button. (Fig. 2)

A-2-2 Move the cursor to the OSC ON using CURSOR ▼ button on the screen control section and press the ENTER button. to set the internal oscillator to "ON". (Fig. 2)

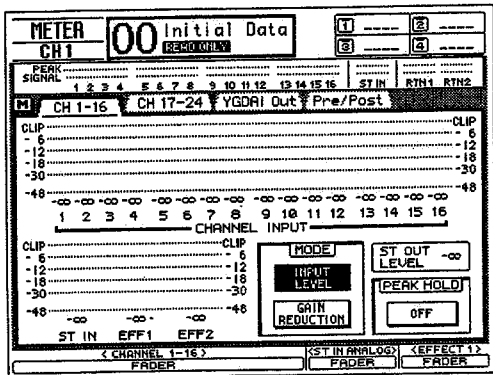
A-2-3 Move the cursor to the LEVEL using CURSOR ► button and set the oscillator output level to "0 dB" using the PARAMETER dial. (Fig. 2)

A-3 Move the cursor to the ASSIGN using CURSOR ► button and set the output terminal selecting the AUX 1-4, BUS 1-4 AND ST OUT one by one and set "ON". (Fig. 2)

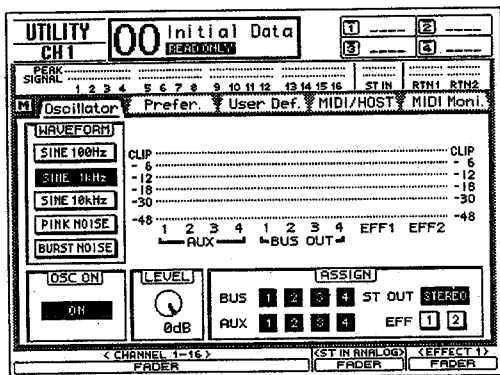
B Fader position setting

B-1 Set the "CH17~24" using the MIXING LAYER button. (Fig. 3)

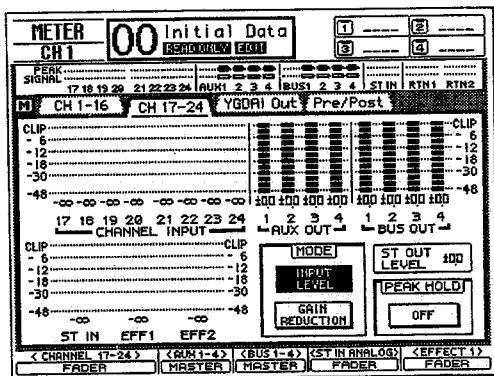
B-2 Select the "CH17~24" page using the FADER button in the FADER MODE section and set the faders (AUX 1-4, BUS 1-4 AND ST OUT) to NOMINAL position = ±0.0. (Fig. 3)



(Fig. 1)



(Fig. 2)



(Fig. 3)

8-1 ST OUT Maximum output (L/R)

Input frequency	Output level	Allowable range (Distortion)
1 kHz	+18 dBs ± 0.5 dB	Less than 0.03%

8-2 (AUX 1, 2, 3, 4/ BUS 1, 2, 3, 4) Maximum output

Input frequency	Output level	Allowable range (Distortion)
1 kHz	+18 dBs ± 0.5 dB	Less than 0.02%

8-3 MONITOR OUT Maximum output (L/R)

Input frequency	Output level	Allowable range (Distortion)
1 kHz	+18 dBs ± 0.5 dB	Less than 0.03 %

8-4 PHONES OUT Maximum output (L/R)

Input frequency	Output level	Allowable range (Distortion)
1 kHz	-4.5 dBs ± 0.5 dB	Less than 0.05 %

9. 2TR IN L/R

Conditions: Measure the output at MONITOR OUT.
Set the MONITOR OUT LEVEL at Maximum.
Set the SOLO/2TR IN to 2TR IN.

① Gain (L/R)

Input frequency	Input level	Rated output level	Allowable range
1 kHz	-10 dBV	+4 dBs	+4 dBs ± 2 dB

② Frequency response(L/R)

Condition: The allowable range is based on 1 kHz.

Input frequency	Input level	Allowable range
20 Hz	-10 dBV	-1.0 dB ~ 0 dB
20 kHz	-10 dBV	-1.0 dB ~ 0 dB

③ Distortion (L/R)

Input frequency	Output level	Allowable range
1 kHz	+16 dBs	Less than 0.003 %

④ Residual Noise (L/R)

Condition: Connect a 150 Ω resistor at the 2TR IN.

Allowable range
Less than -98 dBs

⑤ Level difference between L/R

Check that the difference in gain measured in status ① is within the following range.

Allowable range
Within 1 dB

⑥ Crosstalk between L and R

Conditions: Apply a signal to L channel.

Connect a 150 Ω resistor at R channel..

Set the MONITOR OUT LEVEL at Maximum.

Input frequency	Output level(L)	Allowable range(R)
1 kHz	+16 dBs	Less than -54 dBs

Note: Confirm that the Rch crosstalk is at the same level as above.

10. CH IN 1~CH 8 (XLR, PHONE)

Condition: Measure the output at the ST OUT L channel.

10-A. GAIN Maximum, PAD OFF

① Gain (CH1~CH8)

Input frequency	Input level	Rated output level	Allowable range
1 kHz	-60 dBs	+4 dBs	+4 dBs ±2 dB

② Frequency response (CH1~CH8)

Condition: The allowable range is based on 1 kHz.

Input frequency	Input level	Allowable range
20 Hz	-60 dBs	-2.0 dB~0 dB
20 kHz	-60 dBs	-1.0 dB~0 dB

③ Distortion (CH1~CH8)

Input frequency	Output level	Allowable range
1 kHz	+16 dBs	Less than 0.02 %

④ Noise level EIN (CH1~CH8)

Allowable range
Less than -64 dBs

If the measured noise level is out of the rated value, check that the converted value is within the range shown below.

Measurement value - gain at 1 kHz ≤ -128

⑤ Level difference between (CH1~CH8)

Check that the difference in gain measured in status ① is within the following range.

Allowable range
Within 2 dB

10-B. GAIN Minimum, PAD ON

① Gain (CH1~CH8)

Input frequency	Input level	Rated output level	Allowable range
1 kHz	+10 dBs	+4 dBs	+4 dBs ±2 dB

② Distortion (CH1~CH8)

Input frequency	Output level	Allowable range
1 kHz	+16 dBs	Less than 0.02 %

③ Noise level (CH1~CH8)

Allowable range
Less than -90 dBs

④ Crosstalk between odd-numbered channels and even-numbered channels

Conditions: Apply a signal to an odd-numbered channel.

Connect a 150 Ω resistor to an even-numbered channel.

Input frequency	Output level (Odd-numbered channel)	Allowable range (Even-numbered channel)
1 kHz	+16 dBs	Less than -54 dBs

Note: Confirm that the even-numbered channel crosstalk is at the same level as above.

⑤ INSERT OUT gain (CH1~CH2)

Input frequency	Input level	Rated output level	Allowable range
1 kHz	+10 dBs	+4 dBs	+4 dBs ±1.5 dB

⑥ INSERT OUT noise level (CH1~CH2)

Allowable range
Within -90 dBs

10-C. PHANTOM (CH1~CH8)

Short circuit pin-2 and pin-3 of an appropriate INPUT (XLR) connector, and connect a 10 k Ω load between pin-2 and pin-1. Check that the voltage is within the range shown below when the PHANTOM switch is turned on.

Allowable range
DC 31 V~37 V

Check that the circuit discharges quickly when turning off the PHANTOM switch.

11. CH IN 9~16, ST IN L, R

Condition: Measure the output at the ST OUT L and R.

11-A. GAIN Maximum

① Gain (CH9~CH16, ST IN L, R)

Input frequency	Input level	Rated output level	Allowable range
1 kHz	-20 dBs	+4 dBs	+4 dBs ±2 dB

② Frequency response (CH9~CH16, ST IN L, R)

Condition: The allowable range is based on 1 kHz.

Input frequency	Input level	Allowable range
20 Hz	-20 dBs	-2.0 dB~0 dB
20 kHz	-20 dBs	-1.0 dB~0 dB

③ Distortion (CH9~CH16, ST IN L, R)

Input frequency	Output level	Allowable range
1 kHz	+16 dBs	Less than 0.02 %

④ Noise level EIN (CH9~CH16, ST IN L, R)

Allowable range
Less than -82 dBs

If the measured noise level is out of the rated value, check that the converted value is within the range shown below.

Measurement value - gain at 1 kHz ≤ -104

⑤ Level difference between odd-numbered channels and even-numbered channels

Check that the difference in gain measured in status ① is within the following range.

Allowable range
Within 1 dB

⑥ Level difference between channels (CH9~CH16, ST IN L, R)

Check that the difference in gain measured in status ① is within the following range.

Allowable range
Within 2 dB

11-B. GAIN Minimum

① Gain (CH9~CH16, ST IN L, R)

Input frequency	Input level	Rated output level	Allowable range
1 kHz	+10 dBs	+4 dBs	+4 dBs ±2 dB

② Distortion (CH9~CH16, ST IN L, R)

Input frequency	Output level	Allowable range
1 kHz	+16 dBs	Less than 0.02 %

③ Noise level (CH9~CH16, ST IN L, R)

Allowable range
Less than -90 dBs

④ Crosstalk between odd-numbered channels and even-numbered channels

Conditions: Apply a signal to an odd-numbered channel.

Connect a 150 Ω resistor to an even-numbered channel.

Input frequency	Output level (Odd-numbered channel)	Allowable range (Even-numbered channel)
1 kHz	+16 dBs	Less than -54 dBs

Note: Confirm that the even-numbered channel crosstalk is at the same level as above.

⑤ Crosstalk between ST IN L, R.

Condition: Apply a signal to ST IN L channel.

Connect a 150 Ω resistor at ST IN R channel.

Input frequency	Output level(L)	Allowable range(R)
1 kHz	+16 dBs	Less than -44 dBs

Note: Confirm that the Rch crosstalk is at the same level as above.

12. DIGITAL ST IN DIGITAL

Conditions: Set up an A/D converter AD2X, and set the word clock to INT 48 kHz.

12-A. MONITOR WHEN EMPHASIS OFF.

Conditions: Measure the outputs ST OUT L and R.

Set the ST IN to DIGITAL.

Set the AD2X emphasis OFF.

① Gain (AES/EBU, COAXIAL)

Input frequency	Input level (AD2X)	Rated output level	Allowable range
1 kHz	+4 dBs	+4 dBs	+4 dBs ±2 dB

② Frequency response (AES/EBU)

Condition: The allowable range is based on 1 kHz.

Input frequency	Input level(AD2X)	Allowable range
20 Hz	+4 dBV	-1.0 dB~+0.5 dB
20 kHz	+4 dBV	-1.0 dB~+0.5 dB

③ Distortion (AES/EBU)

Input frequency	Output level(03D)	Allowable range
1 kHz	+16 dBs	Less than 0.02 %

12-B. MONITOR WHEN EMPHASIS ON

Conditions: Measure the outputs ST OUT L and R.

Set the ST IN to DIGITAL.

Set the AD2X emphasis ON.

① Gain (AES/EBU, COAXIAL)

Input frequency	Input level (AD2X)	Rated output level	Allowable range
1 kHz	+4 dBs	+4 dBs	+4 dBs ±2 dB

② Frequency response (AES/EBU)

Condition: The allowable range is based on 1 kHz.

Input frequency	Input level(AD2X)	Allowable range
20 Hz	+4 dBV	-1.0 dB~+0.5 dB
20 kHz	+4 dBV	-1.0 dB~+0.5 dB

13. ST OUT DIGITAL

Conditions: Apply a signal to INPUT CH1.

Set up an A/D converter AD2X.

① Gain (AES/EBU, COAXIAL)

Input frequency	Input level	Rated output level	Allowable range
1 kHz	+10 dBs	+6 dBs	+6 dBs ±2 dB

② Frequency response (AES/EBU)

Condition: The allowable range is based on 1 kHz.

Input frequency	Input level(AD2X)	Allowable range
20 Hz	+10 dBs	-1.0 dB~+0.5 dB
20 kHz	+10 dBs	-1.0 dB~+0.5 dB

③ Distortion (AES/EBU)

Input frequency	Output level	Allowable range
1 kHz	+18 dBs	Less than 0.02 %

14. WORD CLOCK IN, OUT

Conditions: Measure the distortion at the ST OUT L and R.
 Measure the jitters at the WORD CLOCK OUT.
 Apply a signal to the CHI.
 Use the WORD CLOCK OUT of a DMR8.
 Set the WC SELECT switch to WC IN.

14-A. 48 kHz +6 %

Condition: Set the DRU8 word clock to 48 kHz +6 % (PLL).

① Distortion (L/R)

Input frequency	Output level	Allowable range
1 kHz	+16 dBs	Less than 0.03 %

② Jitters

Allowable range
Less than 25 nsec

14-B. 32 kHz -6%

Condition: Set the DRU8 word clock to 32 kHz -6 % (PLL).

① Distortion (L/R)

Input frequency	Output level	Allowable range
1 kHz	+16 dBs	Less than 0.02 %

② Jitters

Allowable range
Less than 25 nsec

14-C. 48 kHz

Condition: Set the DRU8 word clock to 48 kHz (Xtal).

① Jitters

Allowable range
Less than 10 nsec

E. INITIALIZATION

After inspections have been performed, carry out the initialization.

While pressing the STORE key, turn the POWER switch on, then press the RECALL key to initialize.

■ TEST PROGRAM

A. PREPARATION

Before turning the power switch on, connect the following jigs and set the switches.

1. Connect the SLOT INSPECTION jigs (NX818810) and MOUSE.
2. Connect the COMMUNICATION CHECK board and set the TO HOST ON/OFF switch to ON.
3. Prepare a Dsub 9 pin connector which is shorted pin 3 to pin 7, and pin 2 to pin 8; insert into the TO EDITOR terminal.

Jig: NX818810 SLOT INSPECTION jigs

B. ENTER THE TEST PROGRAM

While pressing the UTILITY, HI-MID, FADER keys simultaneously, turn the power switch on, then the menu screen will indicate the following.

03D DIAGNOSTICS PROGRAM V1.00	
<input checked="" type="checkbox"/> 1. Initial Test	<input type="checkbox"/> 9. WordClock Test
<input type="checkbox"/> 2. DSP&DRAM Test	<input type="checkbox"/> 10. DIO Test
<input type="checkbox"/> 3. LCD Test	<input type="checkbox"/> 11. Slot Test
<input type="checkbox"/> 4. LED Test	<input type="checkbox"/> 12. AD/DA Test (Sheet only)
<input type="checkbox"/> 5. Switch Test	<input type="checkbox"/> 13. --reserved--
<input type="checkbox"/> 6. Enc/Mouse Test	<input type="checkbox"/> 14. Exit
<input type="checkbox"/> 7. Fader Test	<input type="checkbox"/> 15. Fader Asins
<input type="checkbox"/> 8. Comm. Test	<input type="checkbox"/> 16. Factory Preset

Checked boxes indicate that the test checks are completed and OK.

The CHECK items and CHECK results are displayed.

* Confirm that the contrast control operates properly.

* To select a test program, use the cursor or enter the appropriate MIDI code.

* MIDI control function of TEST PROGRAM

The 03D test program can usually be started by inputting the following MIDI system exclusive message on normal mode.

```
F0 43 00 7E 00 18 4C 4D 20 20 38 42 30 33 54 20
30 33 44 20 44 49 41 47 20 53 54 41 52 54 4C F7
```

Each test can start by the MIDI program change data after the test has been started, based on the assignments of the signal.

C0 XX [XX = (Test No. -1)x8]

Example: Initial Test = C0 00, IC Test = C0 08 ..., Exit = C0 68, ...

Press the ENTER key to proceed to the next program and change the screen. The screen can also be changed by entering the number attained when 1 is added to the current program number.

C0 XX [XX = (Test No. -1)x8]

Example: Initial Test=test number 1 C0 00
 DSP&DRAM Test=test number 2 C0 08
 Exit=test number 14 C0 68

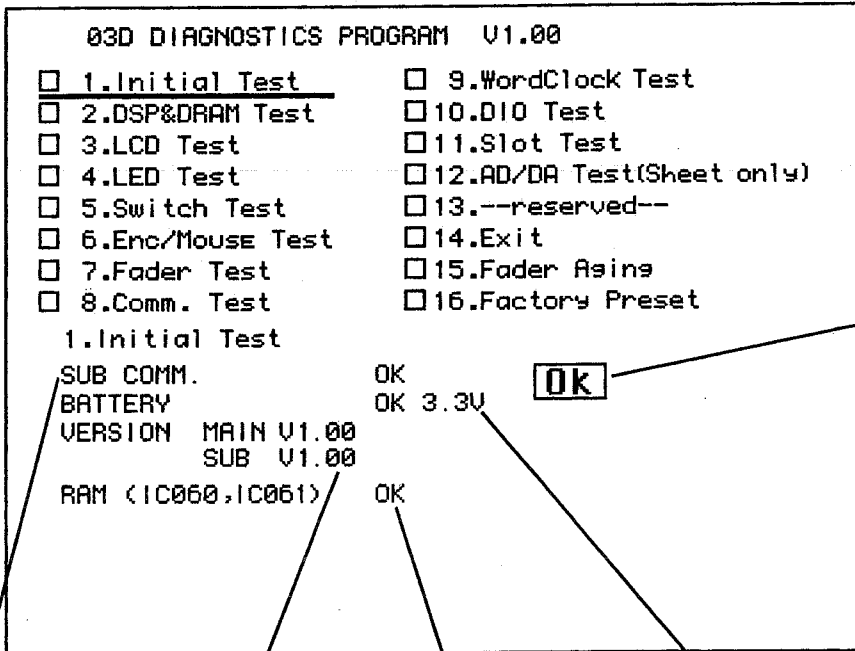
When each test is completed, the following code which corresponds to the test result will output from MIDI OUT terminal.

Test result is OK: [4F 4B]
 Test result is NG: [4F 47]

1. INITIAL TEST

The following test will be performed:

- A. Battery voltage check.
- B. Communication between MAIN and SUS CPU check.
- C. RAM check.
- D. MAIN CPU, SUB CPU and DIAG version.



OK will be displayed when all test items test results are OK. (Other test results are also displayed in the same manner.)

MAIN and SUB communication result.

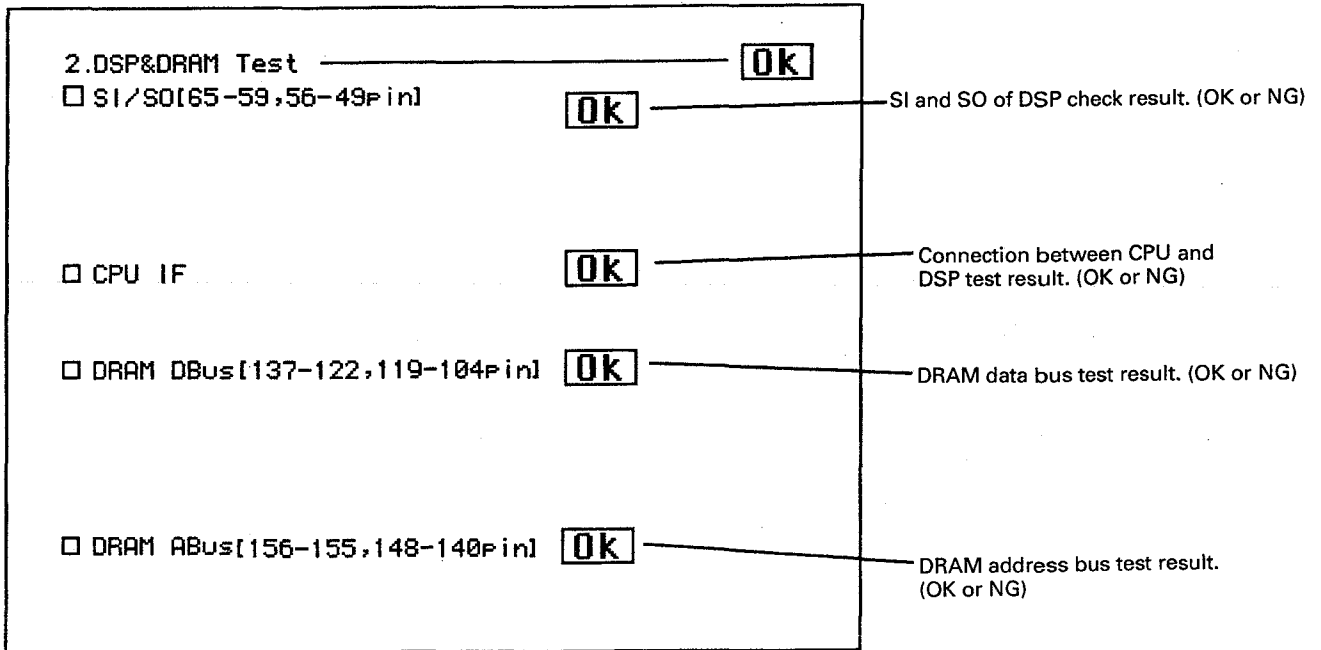
Version display.

RAM check result.

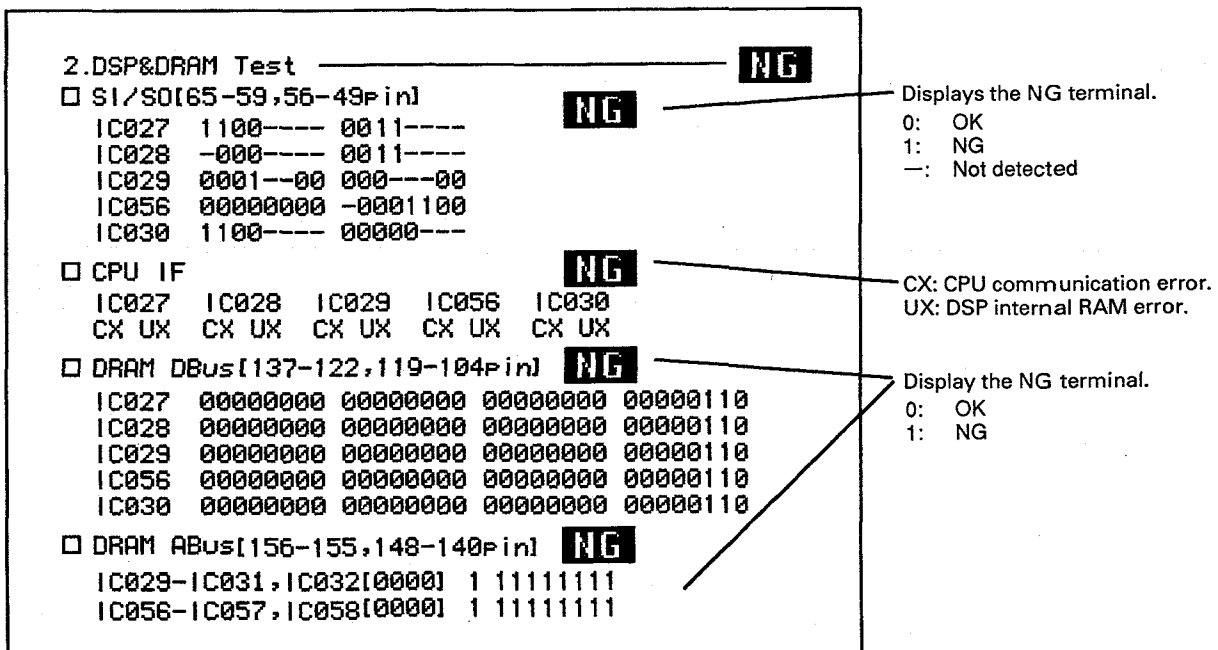
Battery voltage check result. (OK or NG)
(3.1 V ≤ OK < 3.5 V)

2. DSP & DRAM TEST

This test performs DSP and DRAM check.



In case of NG

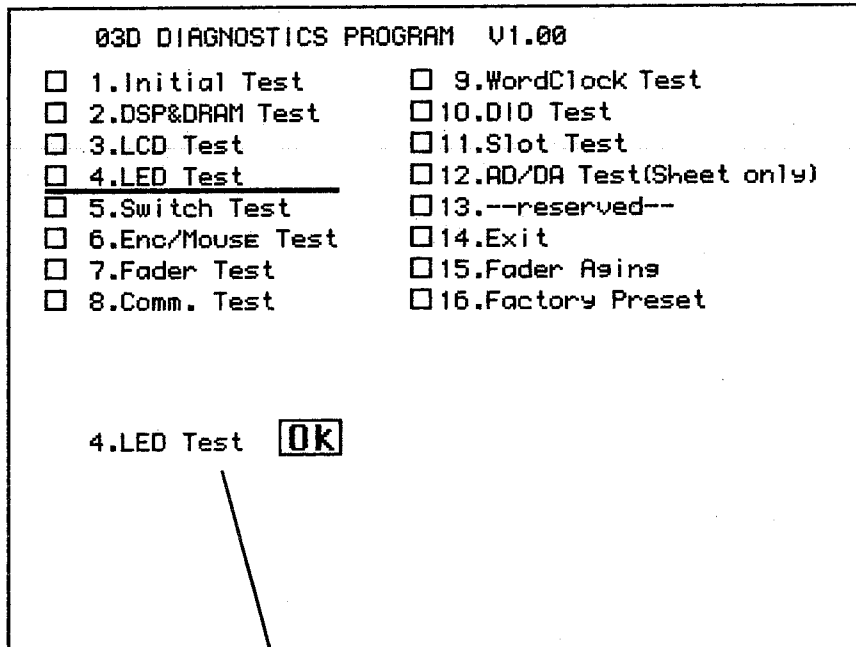


3. LCD TEST

Checks that the LCD screen changes white → black → white → black. Press the ENTER key to return to the menu screen.

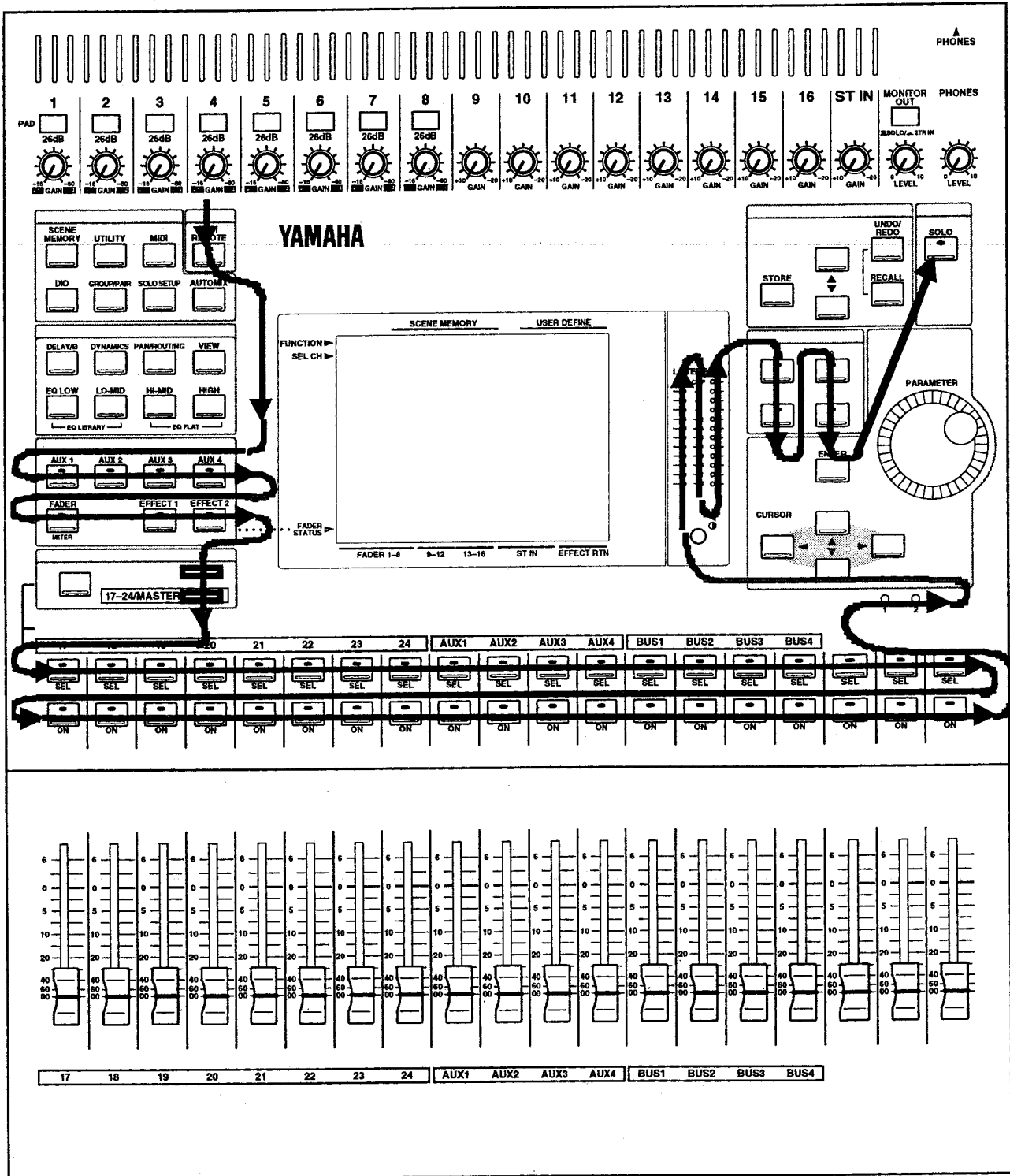
4. LED TEST

LEDs on the panel are turned on one after another in the order illustrated on the next page.



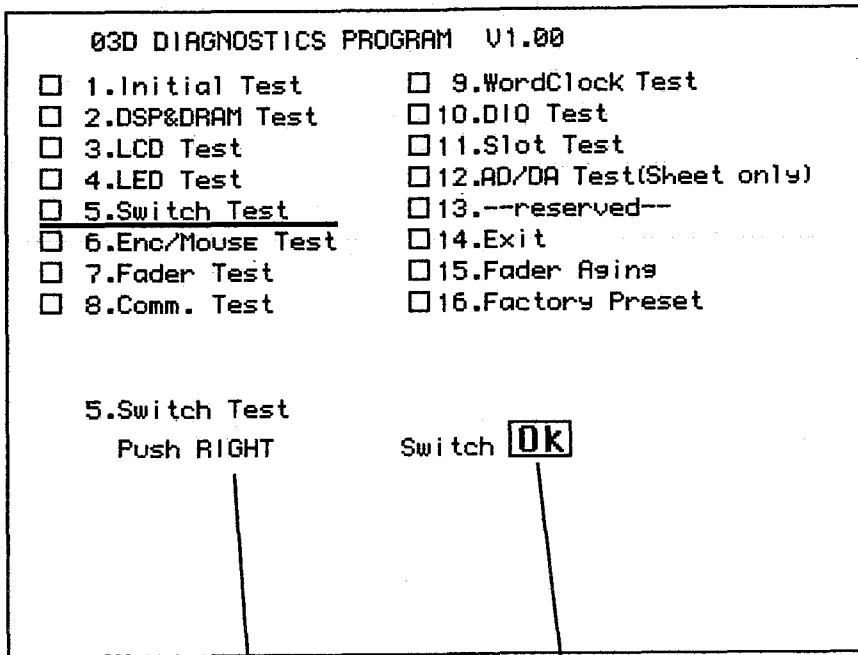
OK when all LEDs are light on.
If the ENTER key is pressed before every LED is light on,
NG is displayed.

LED lighting order



5. SWITCH TEST

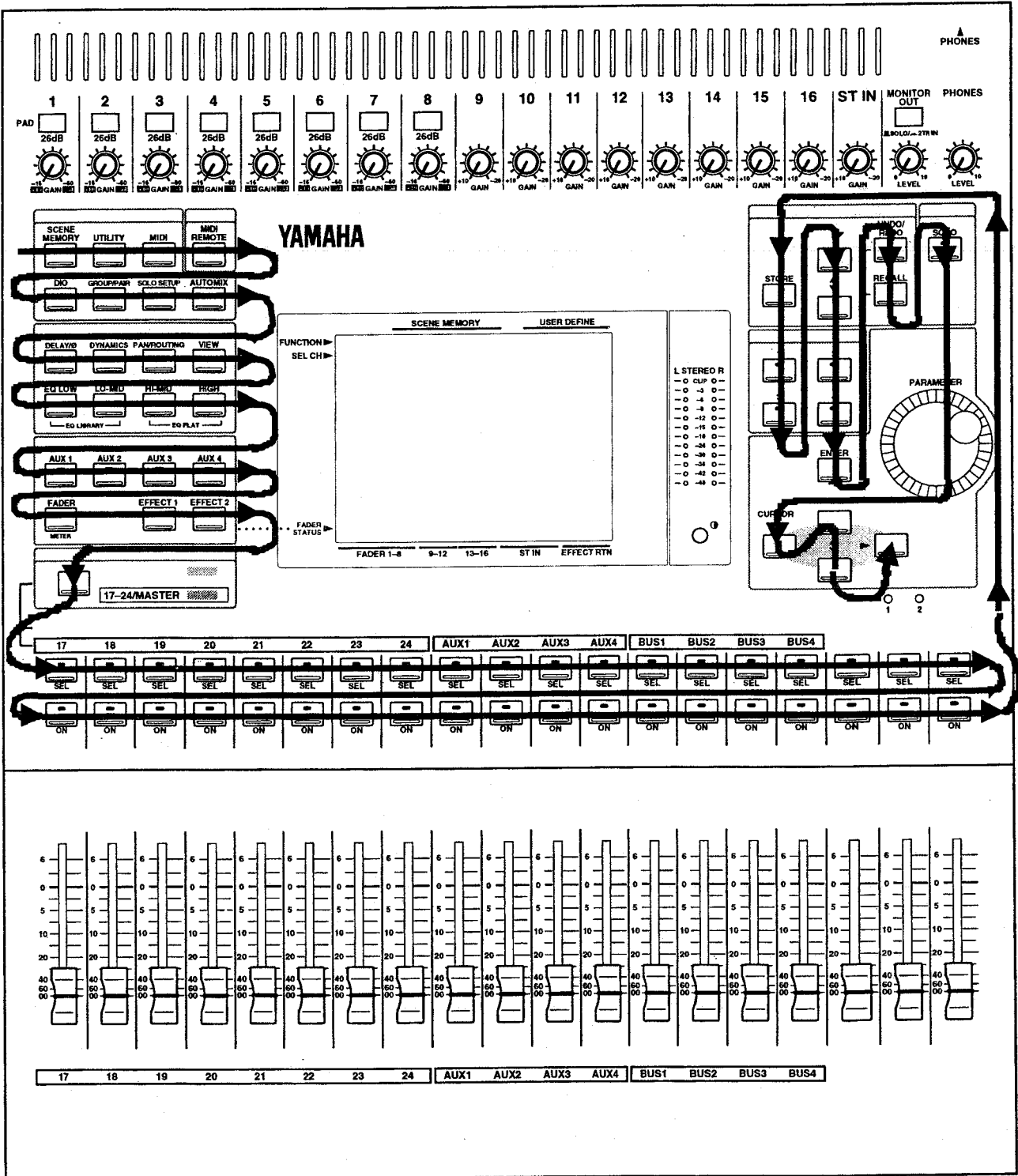
Press the switch with in the order shown in the figure on the next page. (The order will also be shown on LCD screen.)
If press the last key (CURSOR ►) is pressed during switch test, NG is displayed and the test will be finished.



The switch name to be pressed is indicated.

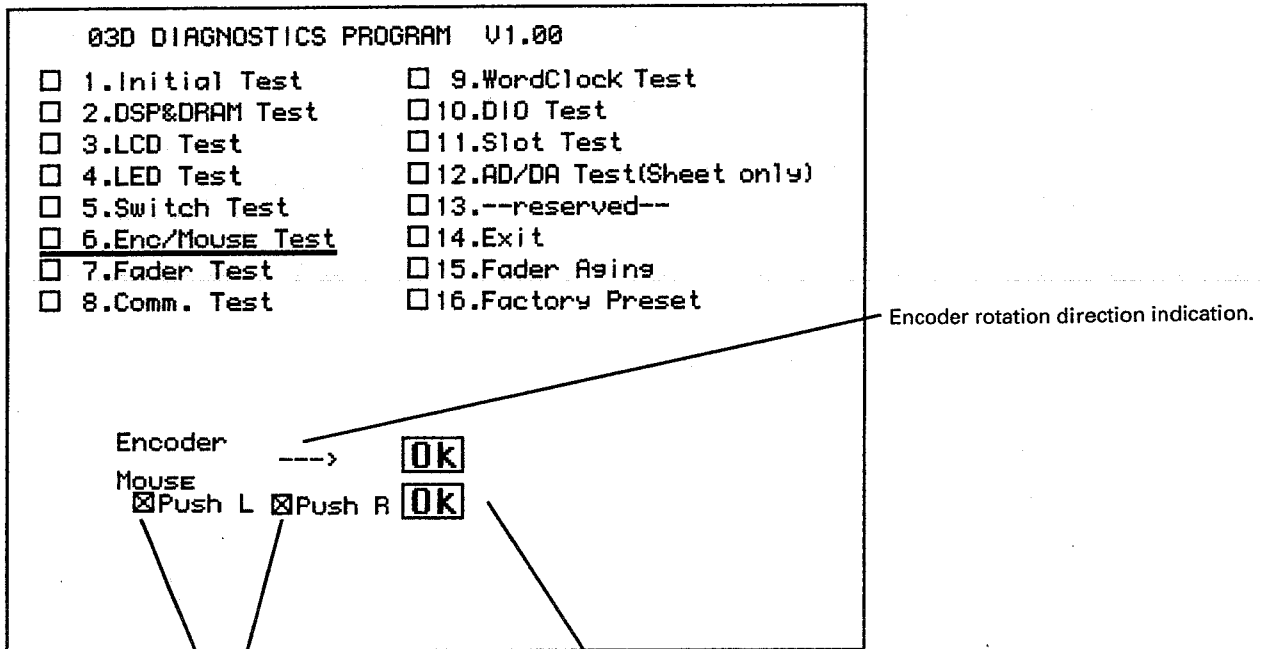
OK is indicated when the test has ended.
If the last key (CURSOR ►) during switch testing,
NG will be displayed.

Switch test order



6. ENCODER/MOUSE TEST

Checks encoder and mouse according to instruction on the LCD.



The mouse button to be pressed is indicated.

OK will be displayed when test result is OK.
If the ENTER key is pressed during the encoder testing,
NG will be displayed.

6-1 Encoder test

6-1-1 Turn the encoder to the left (Counter clockwise <---)

6-1-2 Turn the encoder to the right (Clockwise --->)

6-2-3 "OK" will be displayed when test result is OK and proceed to the mouse test. If the ENTER key is pressed during the encoder testing, NG is displayed and the test will be ended.

6-2 MOUSE TEST

6-2-1 Press the left side button.

6-2-2 Press the right side button.

6-2-3 OK will be displayed when test result is OK and the test will be ended.

7. FADER TEST

Measure the going and returning movement time of each fader after fader calibration has been automatically performed. If necessary, exchange slow faders or perform aging (test 15), because OK results do not come out unless all faders are OK.

```

03D DIAGNOSTICS PROGRAM V1.00
 1.Initial Test       9.WordClock Test
 2.DSP&DRAM Test    10.DIO Test
 3.LCD Test         11.Slot Test
 4.LED Test         12.AD/DA Test(Sheet only)
 5.Switch Test      13.--reserved--
 6.Enc/Mouse Test   14.Exit
 7.Fader Test       15.Fader Aging
 8.Comm. Test      16.Factory Preset

7.Fader Test
Fader Calibration : END
UP   [ 1] [ 2] [ 3] [ 4] [ 5] [ 6] [ 7] [ 8]
DOWN 0.11 0.14 0.12 0.11 0.15 0.11 0.15 0.12
DOWN 0.12 0.11 0.13 0.11 0.12 0.11 0.14 0.12
UP   [ 9] [10] [11] [12] [13] [14] [15] [16]
DOWN 0.11 0.14 0.12 0.11 0.15 0.11 0.15 0.12
DOWN 0.12 0.11 0.13 0.11 0.12 0.11 0.14 0.12
UP   [17] [18] [19]
DOWN 0.15 0.11 0.14
DOWN 0.12 0.11 0.11
OK
    
```

END is displayed when the calibration is completed.

Displays the movement time

Test result (OK or NG)

```

03D DIAGNOSTICS PROGRAM V1.00
 1.Initial Test       9.WordClock Test
 2.DSP&DRAM Test    10.DIO Test
 3.LCD Test         11.Slot Test
 4.LED Test         12.AD/DA Test(Sheet only)
 5.Switch Test      13.--reserved--
 6.Enc/Mouse Test   14.Exit
 7.Fader Test       15.Fader Aging
 8.Comm. Test      16.Factory Preset

7.Fader Test
Fader Calibration : END
UP   [ 1] [ 2] [ 3] [ 4] [ 5] [ 6] [ 7] [ 8]
DOWN 0.11 0.14 0.12 0.11 0.15 0.11 0.15 -NG-
DOWN 0.12 0.11 0.13 0.11 0.12 0.11 0.14 -NG-
UP   [ 9] [10] [11] [12] [13] [14] [15] [16]
DOWN 0.11 0.14 0.12 0.11 0.15 0.11 0.15 0.12
DOWN 0.12 0.11 0.13 0.11 0.12 0.11 0.14 0.12
UP   [17] [18] [19]
DOWN 0.15 0.11 0.14
DOWN 0.12 0.11 0.11
NG
    
```

NG is displayed when movement time exceeds rated time (0.3 sec.).

8. COMMUNICATION TEST

Check the port communication.

```

03D DIAGNOSTICS PROGRAM V1.00
 1.Initial Test       9.WordClock Test
 2.DSP&DRAM Test    10.DIO Test
 3.LCD Test         11.Slot Test
 4.LED Test         12.AD/DA Test(Sheet only)
 5.Switch Test      13.--reserved--
 6.Enc/Mouse Test   14.Exit
 7.Fader Test       15.Fader Rising
 8.Comm. Test      16.Factory Preset
    
```

8. Comm. Test

OK

TO HOST REFUSE
 9PIN REMOTE
 PLEASE FUSE TO HOST & REFUSE 9PIN REMOTE
 TO HOST Tx Rx
 9PIN REMOTE REFUSE

OK
 OK
 OK
 OK

Closed circuit check result.

Change the test setting and press the ENTER key.

Open circuit check result.

8-1 Closed circuit check

Check that the following set ups are completed; start the test. When the test result is OK, proceed to the next check (Open circuit check).

- A. Set the TO HOST ON/OFF switch on the communication check board to OFF.
- B. The short connector is inserted into the TO EDITOR terminal.

8-2 Open circuit check

When the closed circuit check is OK, the screen will display the following message; remove the short connector from the TO EDITOR terminal and turn the TO HOST ON/OFF switch on the communication check board to ON, and start the test by pressing the ENTER key.

PLEASE FUSE TO HOST & REFUSE 9PIN REMOTE

It can be performed using the MAIN circuit board test circuit or the TxRx shorted jack.

8-3 MIDI IN, OUT and THRU check

Applying program change data to MIDI IN; confirm that the same program change data is output to the THRU terminal and the test result data is output to MIDI OUT.

9. WORD CLOCK TEST

Performs word clock in and out check (BNC).

```

03D DIAGNOSTICS PROGRAM  V1.00
 1.Initial Test       9.WordClock Test
 2.DSP&DRAM Test   10.DIO Test
 3.LCD Test           11.Slot Test
 4.LED Test           12.AD/DA Test(Sheet only)
 5.Switch Test        13.--reserved--
 6.Enc/Mouse Test     14.Exit
 7.Fader Test         15.Fader Asins
 8.Comm. Test        16.Factory Preset

9.Word Clock Test ----- OK
Make Test Loop and Press ENTER!
 Internal Word Clock In/Out OK

Change External Switch and Press ENTER!
 Word Clock Min [32KHz-6.5%] OK
 Word Clock Max [48KHz+6.5%] OK

```

Displays OK when the results of all 3 items are OK, otherwise displays NG.

Connect WORD CLOCK OUT to WORD CLOCK IN on the communication check board; press the ENTER key to start the test.

Test result. (OK or NG)

```

03D DIAGNOSTICS PROGRAM  V1.00
 1.Initial Test       9.WordClock Test
 2.DSP&DRAM Test   10.DIO Test
 3.LCD Test           11.Slot Test
 4.LED Test           12.AD/DA Test(Sheet only)
 5.Switch Test        13.--reserved--
 6.Enc/Mouse Test     14.Exit
 7.Fader Test         15.Fader Asins
 8.Comm. Test        16.Factory Preset

9.Word Clock Test ----- OK
Make Test Loop and Press ENTER!
 Internal Word Clock In/Out OK

Change External Switch and Press ENTER!
 Word Clock Min [32KHz-6.5%] OK
 Word Clock Max [48KHz+6.5%] OK

```

Connect TO HOST word clock to WORD CLOCK IN on the communication check board; press the ENTER key to start the test.

Test result. (OK or NG)

Note: This test will not be performed when communication circuit is not connected.

10. DIO TEST

This test performs DIGITAL STEREO IN and OUT check (AES/EBU, COAXIAL).

```
03D DIAGNOSTICS PROGRAM V1.00
 1.Initial Test       9.WordClock Test
 2.DSP&DRAM Test    10.DIO Test
 3.LCD Test         11.Slot Test
 4.LED Test        12.AD/DA Test(Sheet only)
 5.Switch Test     13.--reserved--
 6.Enc/Mouse Test   14.Exit
 7.Fader Test      15.Fader Asins
 8.Comm. Test    16.Factory Preset
10.DIO Test -----  OK
Make Test Loop and Press Enter!
 AES/EBU   Status:  OK   Audio:  OK
 COAXIAL   Status:  OK   Audio:  OK
```

Displays OK when the results of all 4 items are OK, otherwise displays NG.

Connect the STEREO OUT (DIGITAL) and DIGITAL STEREO IN; press the ENTER key to start the test.

Test result. (OK or NG)

Test result. (OK or NG)

11. SLOT TEST

Check that cards jig is being inserted into its slot before executing the test.

Checks SLOT ID port of each slot.
 "O"—OK, "X"—NG
 When NG, the SLOT ID port or data bus 0~2 have some trouble.

Checks IRQSLT port of each slot.
 "O"—OK, "X"—NG
 When NG, the IRQSLT port or data bus 3 have some trouble.

```

03D DIAGNOSTICS PROGRAM V1.00
 1.Initial Test
 2.DSP&DRAM Test
 3.LCD Test
 4.LED Test
 5.Switch Test
 6.Enc/Mouse Test
 7.Fader Test
 8.Comm. Test
 9.WordClock Test
 10.DIO Test
 11.Slot Test
 12.AD/DA Test(Sheet only)
 13.--reserved--
 14.Exit
 15.Fader Asins
 16.Factory Preset

11.Slot Test
 SLOT ID(IDSLT0-2 & Data Bit0-2) [0001]
 IRQSLT(IRQSLT & Data Bus Bit3) [01]
 MUTEANA & RESANA & Data Bus Bit4-7
    [00000000]
 WORD CLOCK(WC1SLT-WC4SLT) [000001]
 SIGNAL CHECK(I1SLT-I4SLT & O1SLT-O4SLT)
    [0000]
    
```

Displays OK when the results of all 5 items are OK, otherwise displays NG.

Displays OK when the results of all items are OK, otherwise displays NG.

MUTEANA DATA BUS2 DATA BUS4 DATA BUS6
 RESANA DATA BUS3 DATA BUS5 DATA BUS7

Checks the MUTEANA, RESANA and DATA BUS 4~7. "O"--OK, "X"--NG

11. SLOT TEST

Check that cards jig is being inserted into its slot before executing the test.

Checks SLOT ID port of each slot.
"O"--OK, "X"--NG
When NG, the SLOT ID port or data bus 0~2 have some trouble.

Checks IRQSLT port of each slot.
"O"--OK, "X"--NG
When NG, the IRQSLT port or data bus 3 have some trouble.

03D DIAGNOSTICS PROGRAM V1.00

<input type="checkbox"/> 1.Initial Test	<input type="checkbox"/> 9.WordClock Test
<input type="checkbox"/> 2.DSP&DRAM Test	<input type="checkbox"/> 10.DIO Test
<input type="checkbox"/> 3.LCD Test	<input type="checkbox"/> 11.Slot Test
<input type="checkbox"/> 4.LED Test	<input type="checkbox"/> 12.AD/DA Test(Sheet only)
<input type="checkbox"/> 5.Switch Test	<input type="checkbox"/> 13.--reserved--
<input type="checkbox"/> 6.Enc/Mouse Test	<input type="checkbox"/> 14.Exit
<input type="checkbox"/> 7.Fader Test	<input type="checkbox"/> 15.Fader Psins
<input type="checkbox"/> 8.Comm. Test	<input type="checkbox"/> 16.Factory Preset

11.Slot Test

SLOT ID<IDSLT0-2 & Data Bit0-2> [0001]

IRQSLT<IRQSLT & Data Bus Bit3> [0]

MUTEANA & RESANA & Data Bus Bit4-7 [00000000]

WORD CLOCK<WC1SLT-WC4SLT> [00000]

SIGNAL CHECK<I1SLT-I4SLT & O1SLT-O4SLT> [0000]

Displays OK when the results of all 5 items are OK, otherwise displays NG.

- OK
- OK
- OK
- OK
- OK
- OK

Displays OK when the results of all items are OK, otherwise displays NG.

MUTEANA DATA BUS2 DATA BUS4 DATA BUS6
RESANA DATA BUS3 DATA BUS5 DATA BUS7

Checks the MUTEANA, RESANA and DATA BUS 4~7. "O"--OK, "X"--NG


```

03D DIAGNOSTICS PROGRAM V1.00
 1.Initial Test       9.WordClock Test
 2.DSP&DRAM Test    10.DIO Test
 3.LCD Test          11.Slot Test
 4.LED Test          12.AD/DA Test(Sheet only)
 5.Switch Test       13.--reserved--
 6.Enc/Mouse Test    14.Exit
 7.Fader Test        15.Fader Asins
 8.Comm. Test       16.Factory Preset
11.Slot Test _____
 SLOT ID(IDSLT0-2 & Data Bit0-2) [000]
 IRQSLT(IRQSLT & Data Bus Bit3) [0]
 MUTEANA & RESANA & Data Bus Bit4-7
[00000000]
 WORD CLOCK(WC1SLT-WC4SLT) [00???]
    
```

Input port

FSM 64FSM 256FSM
 SYNCM 128FSM ? : Being tested /Waiting

Checks the FSM, SYNCM, 64FSM, 128FSM, 256FSM outputs and the WC1SLT~WC4SLT port.
 "O"—OK, "X"—NG

```

03D DIAGNOSTICS PROGRAM V1.00
 1.Initial Test       9.WordClock Test
 2.DSP&DRAM Test    10.DIO Test
 3.LCD Test          11.Slot Test
 4.LED Test          12.AD/DA Test(Sheet only)
 5.Switch Test       13.--reserved--
 6.Enc/Mouse Test    14.Exit
 7.Fader Test        15.Fader Asins
 8.Comm. Test       16.Factory Preset
11.Slot Test _____
 SLOT ID(IDSLT0-2 & Data Bit0-2) [000]
 IRQSLT(IRQSLT & Data Bus Bit3) [0]
 MUTEANA & RESANA & Data Bus Bit4-7
[00000000]
 WORD CLOCK(WC1SLT-WC4SLT) [00000]
 SIGNAL CHECK(I1SLT-I4SLT & O1SLT-O4SLT)
[0000]
    
```

Displays OK when the result of all 5 items are OK, otherwise displays NG.

Test result. (OK or NG)

I1SLT,O1SLT I3SLT,O3SLT
 I2SLT,O2SLT I4SLT,O4SLT

Checks the I1SLT~I4SLT inputs and the O1SLT~O4SLT outputs.

12. AD/DA TEST (SEAT ONLY)

This test is for factory use only.

14. EXIT

Exit for DIAG program.

15. FADER AGING

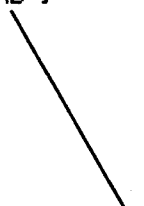
Faders move 100 times for aging. Pressing the ENTER key, returns to a menu screen.

```

03D DIAGNOSTICS PROGRAM  V1.00
 1.Initial Test            9.WordClock Test
 2.DSP&DRAM Test        10.DIO Test
 3.LCD Test              11.Slot Test
 4.LED Test              12.AD/DA Test(Sheet only)
 5.Switch Test          13.--reserved--
 6.Enc/Mouse Test       14.Exit
 7.Fader Test            15.Fader Aging
 8.Comm. Test           16.Factory Preset

15.Fader Aging
(100times)
[=END=]

```

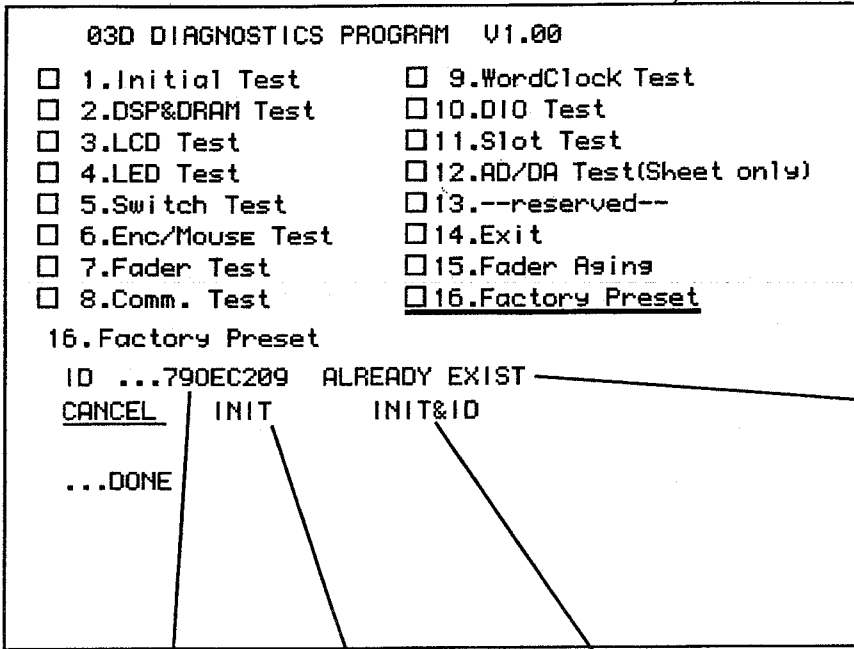


Indicates remaining times of aging movements. END will be displayed when aging is completed.

Note: Carry it out only when there is a bad fader in the movement. This aging is not required every time.

16. FACTORY SET

Initialize the data to the factory preset data and set the ID.



Displays the ID which is already exist.

Displays the ID which is already inputted or which is inputted through MIDI as described below.

Set the cursor and press the ENTER key, then the unit will be initialized.

Set the cursor and press the ENTER key, then the unit ID will be changed .

Each operation can be done by inputting the following MIDI program change message.

CANCEL C0 78
 INIT C0 78
 INIT&ID C0 78

To set the ID, input the following MIDI System Exclusive message. It can be done only one time.

F0 43 00 7E 00 18 4C 4D 20 20 38 42 30 33 54 21
 30 33 44 20 yy mo dd hh mn 20 20 20 20 20 00 F7
 yy: year
 mo: month
 dd: date
 hh: hour
 mn: minute

SOFTWARE LOADING METHOD

The 03D can be loaded with any existing version of 03D system software, using a MIDI data device (such as the MDF2 MIDI Data Filer) or a personal computer, or a second 03D. This is made possible in the 03D through the use of on-board flash memory.

A. Connection and recommended software

	Sender	Receiver	Connecting 03D terminal	Cables	Recommended software
1	03D	03D	TO HOST	Macintosh serial cable	none required
2	MDF2	03D	MIDI IN	MIDI cable	none required
3	Macintosh	03D	TO HOST	Macintosh serial cable	Terminal-J
4	PC	03D	TO HOST	PC serial cable	HyperTerminal

Macintosh serial cable: Mini-DIN 8P to Mini-DIN 8P cross cable for Macintosh
(eg: CCJ-MAC serial cable for YAMAHA CBX products)

PC cable: Dsub 9P to Mini-DIN 8P
(eg: CCJ-PC2 serial cable for YAMAHA CBX products)

Note: HyperTerminal is a standard application in Windows 95.

B. System Software Loading Procedure

1 Using the Macintosh

- 1-1 Load the Terminal-J program onto the hard drive of the Macintosh.
 - a. Insert the Terminal-J floppy disk into the floppy disk drive.
 - b. Double-click on the floppy disk icon.
 - c. Drag the Terminal-J folder onto the hard drive.
- 1-2 Load the new 03D software onto the hard drive of the Macintosh. *Note: this step is optional, as you may elect to load the software directly from the floppy disk.*
 - a. Insert the 03D software floppy disk into the floppy disk drive.
 - b. Double-click on the floppy disk icon.
 - c. Drag the two 03D files into the Terminal-J folder on the hard drive.
- 1-3 Connect the Macintosh and 03D with a Mini-DIN 8P "crossed" cable.
- 1-4 Turn the Macintosh power switch on.
- 1-5 Turn the 03D power switch on while pressing the UTILITY, DYNAMICS and EFFECT 2 keys.
- 1-6 Set the Macintosh APPLE TALK off.
- 1-7 Open the Macintosh Terminal-J program.
- 1-8 Select CONNECTION in the Option Menu and set the following: (see Fig. 1)
 - Method: Direct Serial
 - Baud Rate: 38.4k
 - Parity bits: None
 - Data bits: 8 bits
 - Stop bits: 1
 - Handshake: None
 Click "OK".
- 1-9 Select TRANSFER in the Option menu and highlight the "Binary" icon: (see Fig. 2)
 - Recognize and use MacBinary format for non-TEXT files: OFF (no "X" in the box)
 Click "OK".
- 1-10 Select X/YMODEM in Option menu: (see Fig. 3)
 - CRC: OFF
 Click "OK".
- 1-11 Select CONNECT in the Session menu of the Terminal-J program.
- 1-12 Set the 03D using the CURSOR and ENTER keys as follows: (see Fig. 4)
 - PORT: TO HOST
 - FLYING: ON
 - UPDATE BLOCK: ALL
- 1-13 Select TRANSMIT XMODEM in the File menu, locate the 03D_Vxxx.T file in the Terminal-J folder (or floppy disk drive) and highlight it (Fig. 5). DO NOT click "Transmit" yet.
- 1-14 Select the 03D START and press the ENTER key. Now click "Transmit" on the Macintosh to begin transmission.
- 1-15 Several messages will appear on 03D LCD screen. Wait till the following message is displayed: (Fig. 6)
 - "Please send 0,1,2,3,4,5,6,7,8,9,A,B,..."
- 1-16 Select TRANSMIT XMODEM in the File menu, locate the 03D_Vxxx.X file in the Terminal-J folder (or floppy disk drive) and highlight it (Fig. 5). DO NOT click "Transmit" yet.
- 1-17 Select the 03D START and press the ENTER key. Now click "Transmit" on the Macintosh to begin transmission. Transmission will take 15-20 minutes to complete.
- 1-18 When all files has been received, the 03D displays "[] EXIT". The 03D will return to normal program mode when EXIT is selected and the ENTER key is pressed.

Note: When the 03D is receiving data, an asterisk () mark slowly flashes on the 03D display.*

2 Using a PC (Windows 95)

- 2-1 Load the 03D software onto the hard drive of the PC. *Note: this step is optional, as you may elect to load the software directly from the floppy disk.*
- Insert the 03D software floppy disk into the floppy disk drive.
 - Copy the two 03D files into the HyperTerminal folder.
- 2-2 Connect the PC (Windows 95) and the 03D with a Dsub 9P-Mini DIN 8P cable. Make note of the COM port used for this connection.
- 2-3 Turn the PC power switch on.
- 2-4 Turn the 03D power switch on while pressing the UTILITY, DYNAMICS and EFFECT 2 keys.
- 2-5 Open the Windows 95 Hyper terminal program.
- 2-6 Select NEW CONNECTION in the File menu and type a name for the connection and click "OK". Ignore the icon selection in this window (Fig 7).
- 2-7 In the Phone Number window that next appears, set the "Connect using" selection to "Direct to Com X" (X= selected port). Click "OK".
- 2-8 In the COM"X" Properties window that next appears, make the following settings:
- | | |
|----------------|-----------------|
| Bits per sec.: | 38400 bits/sec. |
| Data bits.: | 8 |
| Parity: | None |
| Stop bit: | 1 |
| Flow control: | None |

Click "OK".

- 2-9 Select CONNECT in the Call menu.
- 2-10 Set the 03D using the CURSOR and ENTER keys as follows: (Fig. 4)
- ```

PORT: TO HOST
FLYING: ON
UPDATE BLOCK: ALL

```
- 2-11 Select SEND FILE in the Transfer menu.
- 2-12 In the Send File window that next appears, use Browse to locate the 03D\_Vxxx.T file (on the hard drive or floppy disk). Select XMODEM in the Protocol box, but DO NOT click "Send" yet. (Fig. 8)
- 2-13 Select the 03D START and press the ENTER key. Now click "Send" in the Send File window.
- 2-14 Several messages will appear on 03D LCD screen. Wait till the following message is displayed: (Fig. 6)
- ```

"Please send 0,1,2,3,4,5,6,7,8,9,A,B,..."

```
- 2-15 Select SEND FILE in the Transfer menu again.
- 2-16 In the Send File window that next appears, use Browse to locate the 03D_Vxxx.X file (on the hard drive or floppy disk). DO NOT click "Send" yet. (Fig. 8)
- 2-17 Select the 03D START and press the ENTER key. Now click "Send" in the Send File window. Transmission will take 15-20 minutes to complete.
- 2-18 When all files have been received, the 03D displays "[] EXIT". The 03D will return to normal program mode when the EXIT is selected and the ENTER key is pressed.

Note: When the 03D is receiving data, an asterisk () mark slowly flashes on the 03D display.*

3 Using an MDF2 MIDI DATA FILER

For this procedure three (3) floppy disks are needed:

Floppy Disk 1:	contains two files:	03Dxxx_.T, 03Dxxx_.X
Floppy Disk 2:	contains one file:	03Dxxx_.Y
Floppy Disk 3:	contains one file:	03Dxxx_.Z

- 3-1 Connect the MDF2 MIDI OUT to the 03D MIDI IN with a MIDI cable.
- 3-2 Turn the MDF2 power switch on and load floppy disk 1.
- 3-3 Turn the 03D power switch on while pressing the UTILITY, DYNAMICS and EFFECT 2 keys.
- 3-4 Set the 03D using the CURSOR and ENTER keys as follows: (see Fig. 4)
- ```

PORT: TO HOST
FLYING: ON
UPDATE BLOCK: ALL

```
- 3-5 Set the MDF2 to MDR mode and select the 03Dxxx\_.T file using the FILE DATA key.
- 3-6 Select the 03D START and press the ENTER key.
- 3-7 Start the MDF2.
- 3-8 Several messages will appear on 03D LCD screen. Wait till the following message is displayed: (Fig. 6)
- ```

"Please send 0,1,2,3,4,5,6,7,8,9,A,B,..."

```
- 3-9 Select the 03Dxxx_.X file on floppy disk 1 and start the MDF2.
- 3-10 Confirm that the file transfer has been completed; change floppy disk 1 to floppy disk 2 and select the 03Dxxx_.Y file. Start the MDF2.

3-11 Confirm that the file transfer has been completed; change floppy disk 2 to floppy disk 3 and select the 03Dxxx_.Z file. Start the MDF2.

3-12 When all files have been received, the 03D displays "[] EXIT". The 03D will return to normal program mode when EXIT is selected and the ENTER key is pressed.

Note: When the 03D is receiving data, an asterisk (*) mark slowly flashes on the 03D display.

4 Using a second 03D as software transmitter

Note: The second ("transmitter") 03D must be loaded with the version of software you wish to load into the first 03D.

4-1 Connect the "transmitter" 03D and the "receiver" 03D with a mini DIN 8P cross cable.

4-2 Turn on the transmitter 03D while pressing the UTILITY, DYNAMICS and EFFECT 2 keys.

Immediately after "BOOT UP PROGRAM....." is displayed on the 03D, press and hold the AUX4 and EFFECT1 keys, until the transmit screen is displayed. (Fig. 9)

Note: If the AUX4 and EFFECT1 keys are not pressed quickly enough, the 03D will enter "receiver" mode. If this happens, simply turn the 03D off and try step 4-2 again.

4-3 Turn on the receiver 03D while pressing the UTILITY, DYNAMICS and EFFECT 2 keys. (Fig. 4)

4-4 Set TRANSMIT: FAST on the transmitter 03D using the CURSOR and ENTER keys.

4-5 On the receiver 03D use the CURSOR and ENTER keys to set the following: (Fig. 4)

PORT: TO HOST
 FLYING: ON
 UPDATE BLOCK: ALL

4-6 Select the START on the receiver 03D and press the ENTER key.

4-7 Select the START on the transmitter 03D and press the ENTER key.

4-8 Several messages will appear on 03D LCD screen. Wait till the following message is displayed: (Fig. 6)

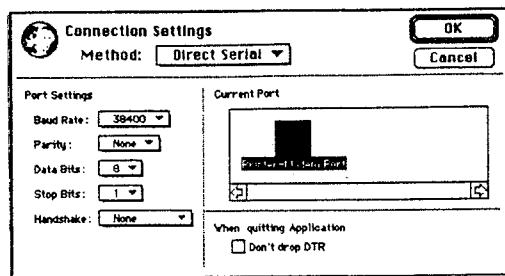
"Please send 0,1,2,3,4,5,6,7,8,9,A,B,..."

4-9 Again, select the START on the receiver 03D and press the ENTER key.

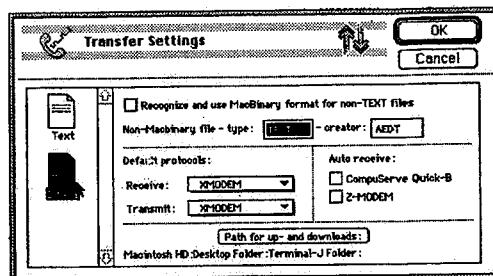
4-10 Again, select the START on the transmitter 03D and press the ENTER key.

4-11 When all files has been received, the 03D displays "[] EXIT". The 03D will return to normal program mode when the EXIT is selected and the ENTER key is pressed.

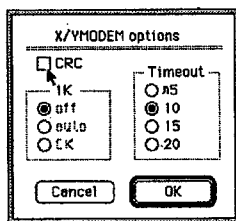
Note: When the 03D is receiving data, an asterisk (*) mark slowly flashes on the 03D display.



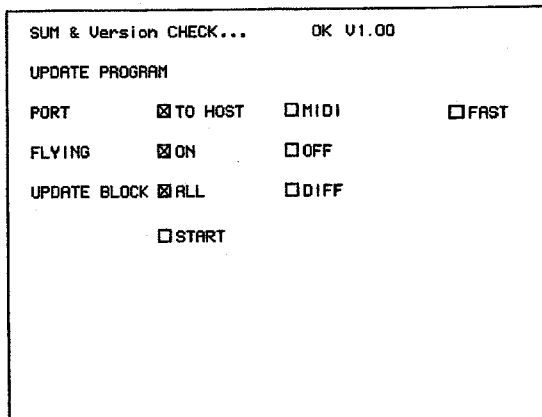
(Fig. 1)



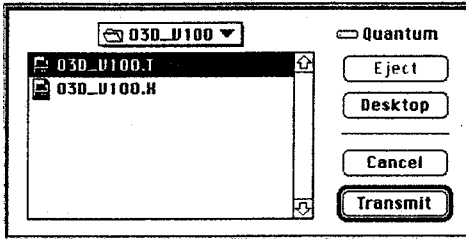
(Fig. 2)



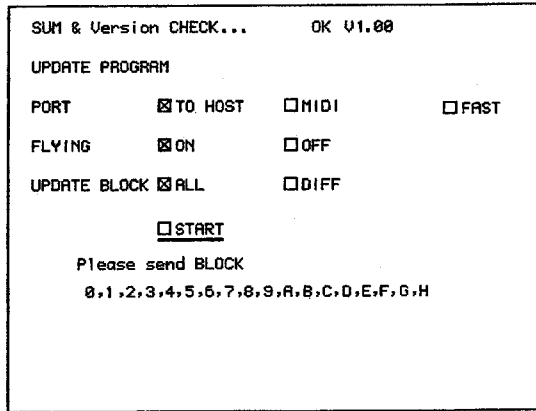
(Fig. 3)



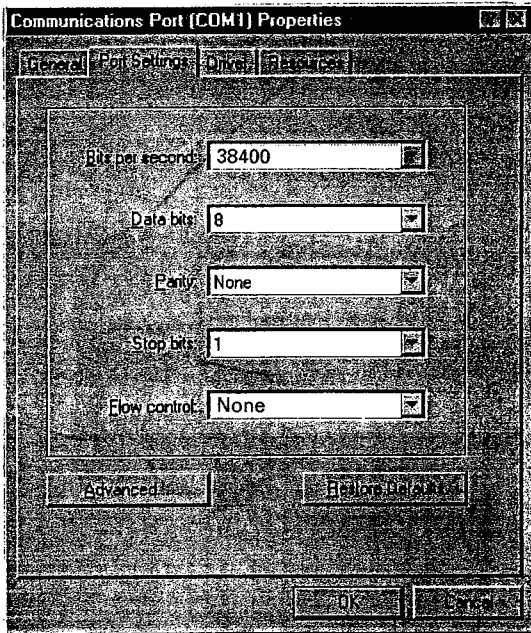
(Fig. 4)



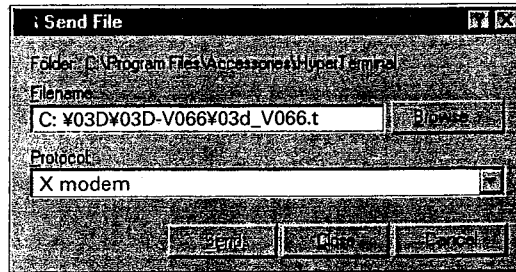
(Fig. 5)



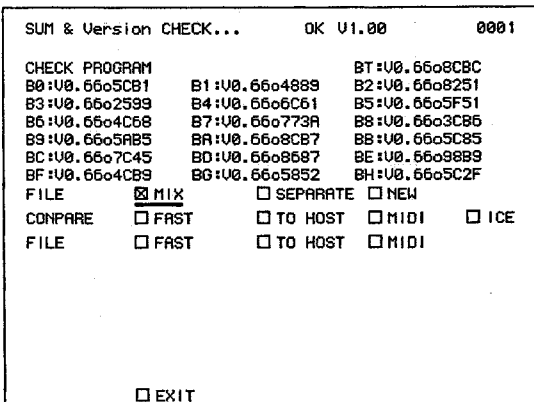
(Fig. 6)



(Fig. 7)



(Fig. 8)



(Fig. 9)

■ DISPLAY MESSAGES

Message	Meaning
AUTOMIX MEMORY FULL!	The automix memory is full. Delete some unnecessary data or back up your data to a MIDI data filer.
AUTOMIX REC ABORTED.	Automix recording was aborted and the data was discarded. If the automix undo buffer is set to ENABLE, you can undo the operation.
AUTOMIX REC STOPPED!	Automix recording was stopped.
AUTOMIX REC TIME EXCEEDED!	The total recording time for automix has been exceeded.
AUTOMIX RUNNING.	Cannot operate while automix is recording or playing.
BULK: AUTOMIX MEMORY FULL!	The received Bulk Dump data cannot be stored because the automix memory is full.
BULK: BYTE COUNT MISMATCH!	The byte count of the received Bulk Dump data is not correct.
BULK: CHECK SUM MISMATCH!	The check sum of the received Bulk Dump data is not correct.
BULK: MEMORY PROTECTED!	The Bulk Dump data cannot be stored because the destination is write-protected.
CANNOT CONNECT!	Connection could not be made with the device selected on the MIDI REMOTE page. Check the port setting and connections.
CANNOT EXECUTE (NO DATA).	Cannot execute as no data has been stored.
CH17-24 ARE DISABLED!	When a CD8-CS cascade card is installed in the YGDAI slot, input channels 17-24 are disabled.
DIGITAL ST IN SYNC ERROR!	The digital audio signal connected via the DIGITAL ST IN connector is not synchronized with the wordclock master. This may cause noise. Make sure that the device feeding the DIGITAL ST IN is synchronized to the master wordclock or make the DIGITAL ST IN the wordclock source. This message can be disabled by setting the DIGITAL ST IN SYNC CAUTION preference to OFF on the Prefer. page of the UTILITY function.
FOR EFFECT1 ONLY.	The selected effect program can be recalled only to Effect 1.
LOW BATTERY!!	The internal battery voltage is getting very low. Back up the setup data (<i>Bulk Dump</i> on page 242), and ask your dealer to replace the battery.
MIDI IN: DATA FRAMING ERROR!	An incorrect signal may have been input to the MIDI IN.
MIDI IN: DATA OVERRUN!	An incorrect signal may have been input to the MIDI IN.
MIDI: Rx BUFFER FULL!	The 03D is probably receiving too much MIDI data.
MIDI: Tx BUFFER FULL!	The 03D is probably transmitting too much MIDI data.
NO DATA TO RECALL.	Cannot recall as no data has been stored.
RECALL SAFE DATA CONFLICT!	Some channels are protected by the scene memory recall safe function. However, the memory you are trying to recall has different bus and aux pair settings and pan mode (stereo/surround) settings, so the scene recall could not be executed.
SOLO READY.	Solo mode is active. Use the [SEL] buttons to solo channels.
SOLO SLAVE.	When the 03D is configured as cascade slave, you cannot change the solo status. Use the [SOLO] button on the cascade master.
TC FRAME JUMP!	The timecode being received is jumping and dropping frames. Check the device outputting the timecode.

Message	Meaning
TC TYPE MISMATCH!	Timecode that is different from the automix Time Base setting has been input. The automix may not play back correctly. Review and correct the setting.
TO HOST: DATA FRAMING ERROR!	An incorrect signal may have been input to the TO HOST connector.
TO HOST: DATA OVERRUN!	An incorrect signal may have been input to the TO HOST connector.
TO HOST: DATA PARITY ERROR!	An incorrect signal may have been input to the TO HOST connector.
TO HOST: RX BUFFER FULL!	The 03D is probably receiving too much MIDI data at the TO HOST connector.
TO HOST: TX BUFFER FULL!	The 03D is probably transmitting too much MIDI data from the TO HOST connector.
WRONG WORD CLOCK!	The received wordclock is not correct and the 03D cannot synchronize correctly. Select an appropriate wordclock by reviewing the system connections, or use the AUTO NAVI-GATE function on the D.in Setup page of the DIO function.
YGDAI INPUT SYNC ERROR!	The digital audio signal connected via the YGDAI card is not synchronized with the wordclock master. This may cause noise. Make sure that the device feeding the YGDAI card inputs is synchronized to the master wordclock. Even if the sync system is correctly configured, the wordclock may become unstable until the digital MTR enters chase mode, and this message may appear. This message can be disabled by setting the YGDAI IN SYNC CAUTION preference to OFF on the Prefer. page of the UTILITY function.

■ 検査

A 準備

特に指定しないとき、各検査は以下の条件の下で行います。

- ・ ワードクロックは、インターナル 48 kHz にします。
- ・ 測定 CH のみ ON とします。

PAN	センター
GAIN	Minimum
PAD	ON
FADER	NOMINAL (0 dB)

- ・ アナログ出力の負荷は、以下の通りとします。

STEREO OUT (XLR):	600 Ω
BUS OUT 1, 2, 3, 4:	10 k Ω
AUX OUT 1, 2, 3, 4:	10 k Ω
REC OUT (PIN):	10 k Ω
MONITOR OUT:	10 k Ω
PHONES:	8 Ω

- ・ 0 dBs=0.775 Vrms
- ・ 0 dBV=1 Vrms=2.2 dBs
- ・ 発振器の出力インピーダンス: 150 Ω
- ・ オシロスコープの入力インピーダンス: 100 k Ω 以上
- ・ レベル計等の入力インピーダンス: 100 k Ω 以上
- ・ ノイズ測定は、12.7 kHz、-6 dB/OCT の LPF で補正します。(実効値ではなく平均値での測定とします。)

B 初期化

STORE キーを押しながら電源スイッチを ON してシステムを立ち上げ、次に RECALL キーを押して初期化を実行した後、各検査を実行します。

C. テストプログラム

UTILITY、HI-MID、FADER キーを同時に押しながら電源スイッチを ON してシステムを立ち上げると、テストプログラムが起動します。

テストプログラムによる検査は、本サービスマニュアルのテストプログラムの項目を参照して下さい。

D. 検査

1. ST OUT L/R

条件: CH1 から入力します。

① f 特(L/R 共)

条件: 許容範囲は 1 kHz を基準とします。

入力周波数	入力レベル	許容範囲
20 Hz	+10 dBs	-1.5 dB~0 dB
20 kHz	+10 dBs	-1.0 dB~0 dB

② 残留ノイズ(L/R 共)

条件: ST OUT を OFF します。

許容範囲
-94 dBs 以下

③ L/R 間のクロストーク

条件: PAN は、L 振り切りとします。

入力周波数	出力レベル(L)	許容範囲(R)
1 kHz	+16 dBs	-54 dBs 以下

注: R 側も同様であることを確認します。

④ L/R 間のレベル差

①で測定した 1 kHz の利得の差が、以下の範囲であることを確認します。

許容範囲
1 dB 以内

2. REC OUT L/R

条件: CH1 から入力します。

SOURCE SELECT: ST OUT

① 利得(L/R 共)

入力周波数	入力レベル	規定出力レベル	許容範囲
1 kHz	+10 dBs	-10 dBV	-10 dBV ±2 dB

② f 特(L/R 共)

条件: 許容範囲は 1 kHz を基準とします。

入力周波数	入力レベル	許容範囲
20 Hz	+10 dBs	-1.5 dB~0 dB
20 kHz	+10 dBs	-1.0 dB~0 dB

3. AUX OUT 1, 2, 3, 4 / BUS OUT 1, 2, 3, 4

条件: CH1 から入力します。

アサイン: 1~4 ON
AUX CH FADER: NOMINAL (0 dB)
BUS MASTER FADER: NOMINAL (0 dB)

① f 特(AUX 1, 2, 3, 4 / BUS 1, 2, 3, 4 共)

条件: 許容範囲は、1 kHz を基準とします。

入力周波数	入力レベル	許容範囲
20 Hz	+10 dBs	-1.5 dB~0 dB
20 kHz	+10 dBs	-1.0 dB~0 dB

② 残留ノイズ(AUX 1, 2, 3, 4 / BUS 1, 2, 3, 4 共)

条件: AUX OUT, BUS OUT を OFF します。

許容範囲
-87 dBs 以下

③ 奇数チャンネル/偶数チャンネル間のクロストーク

条件: 測定 AUX の CH FADER 出力側のみ NOMINAL (0 dB)

測定 BUS の ASSIGN 出力側のみ ON

入力周波数	出力レベル (奇数チャンネル)	許容範囲 (偶数チャンネル)
1 kHz	+16 dBs	-54 dBs 以下

注: 偶数側も同様であることを確認します。

- ④ AUX 1, 2, 3, 4/ BUS 1, 2, 3, 4 間のレベル差
①で測定した 1 kHz の利得の差が、以下の範囲であることを確認します。

許容範囲
1 dB 以内

4. REC OUT L/R

条件: CH1 から入力します。

アサイン: 1, 2 ON
BUS MASTER FADER 1, 2: NOMINAL (0 dB)
SOURCE SELECT: BUS OUT

①利得

入力周波数	入力レベル	規定出力レベル	許容範囲
1 kHz	+10 dBs	-10 dBV	-10 dBV ±2 dB

5. MONITOR OUT L/R

条件: CH1 から入力します。

SOLO/2TR IN: SOLO
MONITOR OUT LEVEL: Maximum

① f 特(L/R 共)

条件: 許容範囲は 1 kHz を基準とします。

入力周波数	入力レベル	許容範囲
20 Hz	+10 dBs	-1.5 dB~0 dB
20 kHz	+10 dBs	-1.0 dB~0 dB

②残留ノイズ(L/R 共)

MONITOR OUT LEVEL	許容範囲(MONITOR)
Maximum	-94 dBs 以下
Minimum	-100 dBs 以下

③ L/R 間のクロストーク

条件: PAN は、L 振り切りとします。

入力周波数	出力レベル(L)	許容範囲(R)
1 kHz	+16 dBs	-54 dBs 以下

注: R 側も同様であることを確認します。

④ L/R 間のレベル差

①で測定した 1 kHz の利得の差が、以下の範囲であることを確認します。

許容範囲
1 dB 以内

6. 出力レベル差

条件: ST OUT L/R/ AUX 1, 2, 3, 4/ BUS OUT 1, 2, 3, 4/
MONITOR OUT L/R の 1 kHz で測定した利得の差が、以下の範囲であることを確認します。

許容範囲
2 dB 以内

7. PHONES OUT L/R

条件: CH1 から入力します。

PHONES LEVEL: Maximum

① f 特(L/R 共)

条件: 許容範囲は 1 kHz を基準とします。

入力周波数	入力レベル	許容範囲
20 Hz	+10 dBs	-3 dB~0 dB
20 kHz	+10 dBs	-1 dB~0 dB

②残留ノイズ(L/R 共)

条件: PHONES LEVEL を、Minimum にします。

許容範囲
-100 dBs 以下

③ L/R 間のクロストーク

条件: PAN は、L 振り切りとします。

入力周波数	出力レベル(L)	許容範囲(R)
1 kHz	-10 dBs	-75 dBs 以下

注: R 側も同様であることを確認します。

④ L/R 間のレベル差

①で測定した 1 kHz の利得の差が、以下の範囲であることを確認します。

許容範囲
1 dB 以内

8. 最大出力

条件: 本体の本体内部発振器の周波数や出力レベル、出力先、フェーダー位置などを設定して測定して下さい。

A 内部発振器と出力先の設定

A-1 SCENE MEMORY セクションの▲キーもしくは▼キーで "00" 番地を選択して RECALL キーを押します。(図 1)

A-2 SETUP セクションの UTILITY キーを押します。(図 2)

A-2-1 画面コントロールセクション中の CURSOR▼キーで SINE 1kHz を選び、ENTER キーを押します。(図 2)

A-2-2 画面コントロールセクション中の CURSOR▼キーで OSC ON にカーソルを移動し、ENTER キーを押して "ON" にします。(図 2)

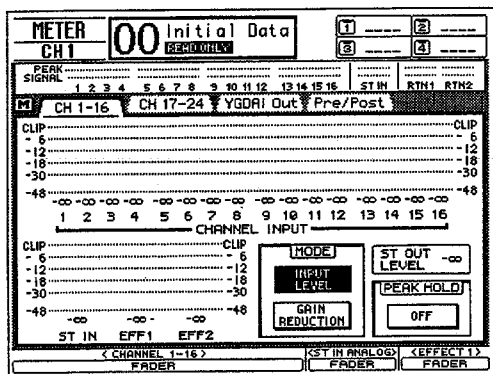
A-2-3 画面コントロールセクション中の CURSOR▶キーで LEVEL にカーソルを移動し、PARAMETER ダイアルで出力を "0 dB" にします。(図 2)

A-3 画面コントロールセクション中の CURSOR▶キーで ASSIGN に移動し、BUS 1~4, AUX 1~4, ST OUT を 1 つずつ選び、ENTER キーで出力先をセットします。(図 2)

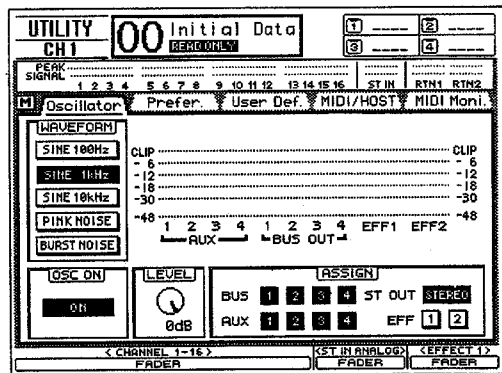
B フェーダー位置の設定

B-1 MIXING LAYER キーを押して"CH17~24"を選びます。(図3)

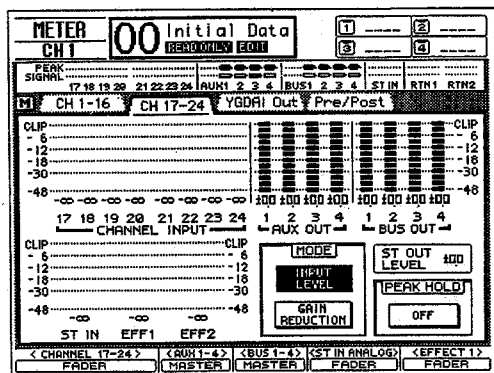
B-2 FADER MODE セクションの FADER キーで"CH17~24"のページを選んで、AUX OUT 1~4, BUS 1~4, ST OUT びフェーダーを、±0.0 (NOMINAL)にセットします。(図3)



(図1)



(図2)



(図3)

8-1 ST OUT の最大出力(L/R 共)

入力周波数	出力レベル	許容範囲(歪率)
1 kHz	+18 dBs±0.5 dB	0.03 %以下

8-2 AUX OUT (1, 2, 3, 4), BUS OUT (1, 2, 3, 4)の最大出力

入力周波数	出力レベル	許容範囲(歪率)
1 kHz	+18 dBs±0.5 dB	0.02%以下

8-3 MONITOR OUT の最大出力(L/R 共)

入力周波数	出力レベル	許容範囲(歪率)
1 kHz	+18 dBs±0.5 dB	0.03 %以下

8-4 PHONES OUT の最大出力(L/R 共)

入力周波数	出力レベル	許容範囲(歪率)
1 kHz	-4.5 dBs±0.5 dB	0.05 %以下

9. 2TR IN L/R

条件: MONITOR OUT で検査します。

MONITOR OUT LEVEL: Maximum
SOLO/2TR IN: 2TR IN

①利得(L/R 共)

入力周波数	入力レベル	規定出力レベル	許容範囲
1 kHz	-10 dBV	+4 dBs	+4 dBs ±2 dB

②f特(L/R 共)

条件: 許容範囲は 1 kHz を基準とします。

入力周波数	入力レベル	許容範囲
20 Hz	-10 dBV	-1.0 dB~0 dB
20 kHz	-10 dBV	-1.0 dB~0 dB

③歪率(L/R 共)

入力周波数	出力レベル	許容範囲
1 kHz	+16 dBs	0.003 %以下

④残留ノイズ(L/R 共)

条件: 2TR IN を、150 Ω でショートします。

許容範囲
-98 dBs 以下

⑤ L/R 間のレベル差

①で測定した利得の差が、以下の範囲であることを確認します。

許容範囲
1 dB 以内

⑥ L/R 間のクロストーク

条件: L 側に信号を入力し、R 側は 150 Ω でショートします。又、MONITOR OUT LEVEL は、Maximum にします。

入力周波数	出力レベル(L)	許容範囲(R)
1 kHz	+16 dBs	-54 dBs 以下

注: R 側も同様であることを確認します。

10. CH IN 1~CH 8 (XLR, PHONE)

条件: ST OUT の L で検査します。

10-A. GAIN Maximum, PAD OFF**①利得(CH1~CH8)**

入力周波数	入力レベル	規定出力レベル	許容範囲
1 kHz	-60 dBs	+4 dBs	+4 dBs ±2 dB

②f特(CH1~CH8)

条件: 許容範囲は 1 kHz を基準とします。

入力周波数	入力レベル	許容範囲
20 Hz	-60 dBs	-2.0 dB~0 dB
20 kHz	-60 dBs	-1.0 dB~0 dB

③歪率(CH1~CH8)

入力周波数	出力レベル	許容範囲
1 kHz	+16 dBs	0.02 %以下

④ノイズレベル EIN (CH1~CH8)

許容範囲
-64 dBs 以下

ただし、上記許容範囲に入らない場合でも、下記条件に入れば可とします。

測定値 -(1 kHz における利得) ≤ -128

⑤ L/R 間のレベル差(CH1~CH8)

①で測定した利得の差が、以下の範囲であることを確認します。

許容範囲
2 dB 以内

10-B. GAIN Minimum, PAD ON**①利得(CH1~CH8)**

入力周波数	入力レベル	規定出力レベル	許容範囲
1 kHz	+10 dBs	+4 dBs	+4 dBs ±2 dB

②歪率(CH1~CH8)

入力周波数	出力レベル	許容範囲
1 kHz	+16 dBs	0.02 %以下

③ノイズレベル(CH1~CH8)

許容範囲
-90 dBs 以下

④奇数 CH、偶数 CH 間のクロストーク

条件: 奇数 CH 側に信号を入力し、偶数 CH 側は 150 Ω でショートします。

入力周波数	出力レベル(奇数 CH)	許容範囲(偶数 CH)
1 kHz	+16 dBs	-54 dBs 以下

注: 偶数 CH 側も同様であることを確認します。

⑤ INSERT OUT 利得(CH1~CH2)

入力周波数	入力レベル	規定出力レベル	許容範囲
1 kHz	+10 dBs	+4 dBs	+4 dBs ±1.5 dB

⑥ INSERT OUT ノイズレベル(CH1~CH2)

許容範囲
-90 dBs 以内

10-C. ファントム(CH1~CH8)

XLR の 2 ピンと 3 ピンをショートし、2-1 ピン間に 10 k Ω 負荷を接続してファントム SW を ON したときの電圧が、以下の範囲にあることを確認します。

許容範囲
DC 31 V~37 V

ファントム SW を OFF したとき、速やかに放電を開始することを確認します。

11. CH IN 9~16, ST IN L, R

条件: ST OUT の L と R で検査します。

11-A. GAIN Maximum**①利得(CH9~CH16, ST IN L, R)**

入力周波数	入力レベル	規定出力レベル	許容範囲
1 kHz	-20 dBs	+4 dBs	+4 dBs ±2 dB

②f特(CH9~CH16, ST IN L, R)

条件: 許容範囲は 1 kHz を基準とします。

入力周波数	入力レベル	許容範囲
20 Hz	-20 dBs	-2.0 dB~0 dB
20 kHz	-20 dBs	-1.0 dB~0 dB

③歪率(CH9~CH16, ST IN L, R)

入力周波数	出力レベル	許容範囲
1 kHz	+16 dBs	0.02 %以下

④ノイズレベル EIN(CH9~CH16, ST INN L, R)

許容範囲
-82 dBs 以下

ただし、上記許容範囲に入らない場合でも、下記条件に入れば可とします。

測定値 -(1 kHz における利得) ≤ -104

⑤奇数 CH と偶数 CH 間のレベル差

①で測定した利得の差が、以下の範囲であることを確認します。

許容範囲
1 dB 以内

⑥ レベル差(CH9~CH16, ST IN L, R)

①で測定した利得の差が、以下の範囲であることを確認します。

許容範囲
2 dB 以内

11-B. GAIN Minimum

① 利得(CH9~CH16, ST IN L, R)

入力周波数	入力レベル	規定出力レベル	許容範囲
1 kHz	+10 dBs	+4 dBs	+4 dBs ±2 dB

② 歪率(CH9~CH16, ST IN L, R)

入力周波数	出力レベル	許容範囲
1 kHz	+16 dBs	0.02 %以下

③ ノイズレベル(CH9~CH16, ST IN L, R)

許容範囲
-90 dBs 以下

④ 奇数 CH、偶数 CH間のクロストーク

条件: 奇数 CH 側に信号を入力し、偶数 CH 側は 150 Ω でショートします。

入力周波数	出力レベル(奇数 CH)	許容範囲(偶数 CH)
1 kHz	+16 dBs	-54 dBs 以下

注: 偶数 CH 側も同様であることを確認します。

⑤ ST IN L, R間のクロストーク

条件: L 側に信号を入力し、R 側は 150 Ω でショートします。

入力周波数	出力レベル(L)	許容範囲(R)
1 kHz	+16 dBs	-44 dBs 以下

注: R 側も同様であることを確認します。

12. DIGITAL ST IN デジタル

条件: AD2X を用意し、ワードクロックは、INT 48 kHz にセットします。

12-A. エンファシス OFF 時の MONITOR

条件: ST OUT の L と R で検査します。

ST IN: DIGITAL
AD2X: エンファシス OFF

① 利得(AES/EBU, COAXIAL 共)

入力周波数	入力レベル (AD2X)	規定出力レベル	許容範囲
1 kHz	+4 dBs	+4 dBs	+4 dBs ±2 dB

② f 特(AES/EBU)

条件: 許容範囲は 1 kHz を基準とします。

入力周波数	入力レベル(AD2X)	許容範囲
20 Hz	+4 dBV	-1.0 dB~+0.5 dB
20 kHz	+4 dBV	-1.0 dB~+0.5 dB

③ 歪率(AES/EBU)

入力周波数	出力レベル(03D)	許容範囲
1 kHz	+16 dBs	0.02 %以下

12-B. エンファシス ON 時の MONITOR

条件: ST OUT の L と R で検査します。

ST IN: DIGITAL
AD2X: エンファシス ON

① 利得(AES/EBU, COAXIAL 共)

入力周波数	入力レベル (AD2X)	規定出力レベル	許容範囲
1 kHz	+4 dBs	+4 dBs	+4 dBs ±2 dB

② f 特(AES/EBU)

条件: 許容範囲は 1 kHz を基準とします。

入力周波数	入力レベル(AD2X)	許容範囲
20 Hz	+4 dBV	-1.0 dB~+0.5 dB
20 kHz	+4 dBV	-1.0 dB~+0.5 dB

13. ST OUT デジタル

条件: CH1 から入力します。

AD2X を使用します。

① 利得(AES/EBU, COAXIAL 共)

入力周波数	入力レベル	規定出力レベル	許容範囲
1 kHz	+10 dBs	+6 dBs	+6 dBs ±2 dB

② f 特(AES/EBU)

条件: 許容範囲は 1 kHz を基準とします。

入力周波数	入力レベル(AD2X)	許容範囲
20 Hz	+10 dBs	-1.0 dB~+0 dB
20 kHz	+10 dBs	-1.0 dB~+0 dB

③ 歪率(AES/EBU)

入力周波数	出力レベル	許容範囲
1 kHz	+18 dBs	0.02 %以下

14. WORD CLOCK IN, OUT

条件: 歪率は、ST OUT の L と R で検査します。
 ジッターは、WORD CLOCK OUT にて測定します。
 CHI から入力します。
 DRU8 の WORD CLOCK OUT を使用します。
 WC SELECT は、WC IN にします。

14-A. 48 kHz +6 %

条件: DRU8 は、48 kHz +6 % (PLL)にします。

①歪率(L/R 共)

入力周波数	出力レベル	許容範囲
1 kHz	+16 dBs	0.03 %以下

②ジッター

許容範囲
25 nsec 以下

14-B. 32 kHz -6%

条件: DRU8 は、32 kHz -6 % (PLL)にします。

①歪率(L/R 共)

入力周波数	出力レベル	許容範囲
1 kHz	+16 dBs	0.02 %以下

②ジッター

許容範囲
25 nsec 以下

14-C. 48 kHz

条件: DRU8 は、48 kHz (Xtal)にします。

①ジッター

許容範囲
10 nsec 以下

E. 初期化

検査終了後は、必要に応じて初期化を実行しておいで下さい。STORE キーを押しながら電源スイッチを ON してシステムを立ち上げ、次に RECALL キーを押すと初期化を行うことが出来ます。

■ テストプログラム

A. 準備

電源をオンする前に下記の治具類を接続してスイッチ類をセットします。

1. スロット点検治具カード(NX818810)と MOUSE をつなぎます。
2. COMMUNICATION のチェック用ボードをつなぎ、TO HOST ON/OFF スイッチは OFF にします。
3. Dsub 9 pin コネクタの 3 ピン-7 ピンと 2 ピン-8 ピンをショートしたコネクタを用意し、TO EDITOR 端子に差し込みます。

使用治具: NX818810 スロット点検治具カード

B. テストプログラムの入り方

[UTILITY]キー、[HI-MID]キー、[FADER]キーを同時に押しながら電源スイッチを ON してシステムを立ち上げると、DIAGNOSTICS に入り、メニュー画面が表示されます。

*コントラストつまみが正常に動作することを確認します。

*カーソルキーで進めて[ENTER]キーか MIDI からにより実行することが出来ます。

03D DIAGNOSTICS PROGRAM V1.00	
<input type="checkbox"/> 1.Initial Test	<input type="checkbox"/> 9.WordClock Test
<input type="checkbox"/> 2.DSP&DRAM Test	<input type="checkbox"/> 10.D10 Test
<input type="checkbox"/> 3.LCD Test	<input type="checkbox"/> 11.Slot Test
<input type="checkbox"/> 4.LED Test	<input type="checkbox"/> 12.AD/DA Test(Sheet only)
<input type="checkbox"/> 5.Switch Test	<input type="checkbox"/> 13.--reserved--
<input type="checkbox"/> 6.Enc/Mouse Test	<input type="checkbox"/> 14.Exit
<input type="checkbox"/> 7.Fader Test	<input type="checkbox"/> 15.Fader Asing
<input type="checkbox"/> 8.Comm. Test	<input type="checkbox"/> 16.Factory Preset

該当項目のテストがOKになった時、
チェックボックスがチェックされます。

CHECK項目とCHECK結果がここに表示されます。

* DIAGNOSTICS の MIDI コントロール機能について

03D の DIAGNOSTICS は通常動作モード上において以下のような MIDI System Exclusive メッセージを入力することで起動することが出来ます。

```
F0 43 00 7E 00 18 4C 4D 20 20 38 42 30 33 54 20
30 33 44 20 44 49 41 47 20 53 54 41 52 54 4C F7
```

また DIAGNOSTICS 起動後各テスト画面は MIDI プログラムチェンジ信号によって選択することが出来ます。信号の割り当ては、

C0 XX [XX = (Test No. -1)x8]
となっています。

例: Initial Test = C0 00, DSP&DRAM Test = C0 08 ..., Exit = C0 68, ...

テストの途中で[ENTER]キーを押す必要のある画面では、各画面起動の Program Change 番号を再度入力することで同様の動作が可能になります。

尚、各画面のテスト終了時には MIDI OUT 端子から[4F 4B]("OK"のアスキーコード)あるいは[4E 47]("NG"のアスキーコード)がテスト結果に応じて出力されます。

1. INITIAL TEST

バッテリー、MAIN-SUB 間のコミュニケーション、RAM のチェックと MAIN, SUB DIAG のバージョンを表示します。

```

03D DIAGNOSTICS PROGRAM V1.00
 1.Initial Test       9.WordClock Test
 2.DSP&DRAM Test   10.DIO Test
 3.LCD Test          11.Slot Test
 4.LED Test          12.AD/DA Test(Sheet only)
 5.Switch Test     13.--reserved--
 6.Enc/Mouse Test   14.Exit
 7.Fader Test       15.Fader Aging
 8.Comm. Test      16.Factory Preset

1.Initial Test
SUB COMM.
BATTERY
VERSION MAIN V1.00
          SUB V1.00
RAM (IC060,IC061)
  
```

この項目が全てOKならOKを表示します。
その他のMenuでも同様です。

SUBとの通信のチェック結果

バージョンを表示

RAMのチェック結果(OKまたはNG)

バッテリーのチェック結果を表示します。
(3.0 V以上3.5 V未満ならOK)

2. DSP & DRAM TEST

DSP と DRAM のチェックを行います。

2.DSP&DRAM Test	OK	
□ SI/SO[65-59,56-49Pin]	OK	DSPのSI, SOのチェック結果 (OK or NG)
□ CPU IF	OK	CPUとDSPとの接続チェック結果 (OK or NG)
□ DRAM DBus[137-122,119-104Pin]	OK	DRAMのDATAバスのチェック結果 (OK or NG)
□ DRAM ABus[156-155,148-140Pin]	OK	DRAMのADDRESSバスのチェック結果 (OK or NG)

NG の例

2.DSP&DRAM Test	NG	異常のある端子を表示します。
□ SI/SO[65-59,56-49Pin]	NG	0 : 正常 1 : 異常 - : 判定不可能
IC027 1100---- 0011----		
IC028 -000---- 0011----		
IC029 0001--00 000---00		
IC056 00000000 -0001100		
IC030 1100---- 00000---		
□ CPU IF	NG	CX:CPUとの接続に異常 UX:DSPの内部RAMエラー
IC027 IC028 IC029 IC056 IC030		
CX UX CX UX CX UX CX UX CX UX		
□ DRAM DBus[137-122,119-104Pin]	NG	異常のある端子を表示します。
IC027 00000000 00000000 00000000 00000110		0: 正常 1: 異常
IC028 00000000 00000000 00000000 00000110		
IC029 00000000 00000000 00000000 00000110		
IC056 00000000 00000000 00000000 00000110		
IC030 00000000 00000000 00000000 00000110		
□ DRAM ABus[156-155,148-140Pin]	NG	
IC029-IC031,IC032[0000] 1 11111111		
IC056-IC057,IC058[0000] 1 11111111		

3. LCD TEST

LCD画面が全白 -> 全黒 -> 全白 -> 全黒と切り替わります。[ENTER]キーでメニュー画面に戻ります。

4. LED TEST

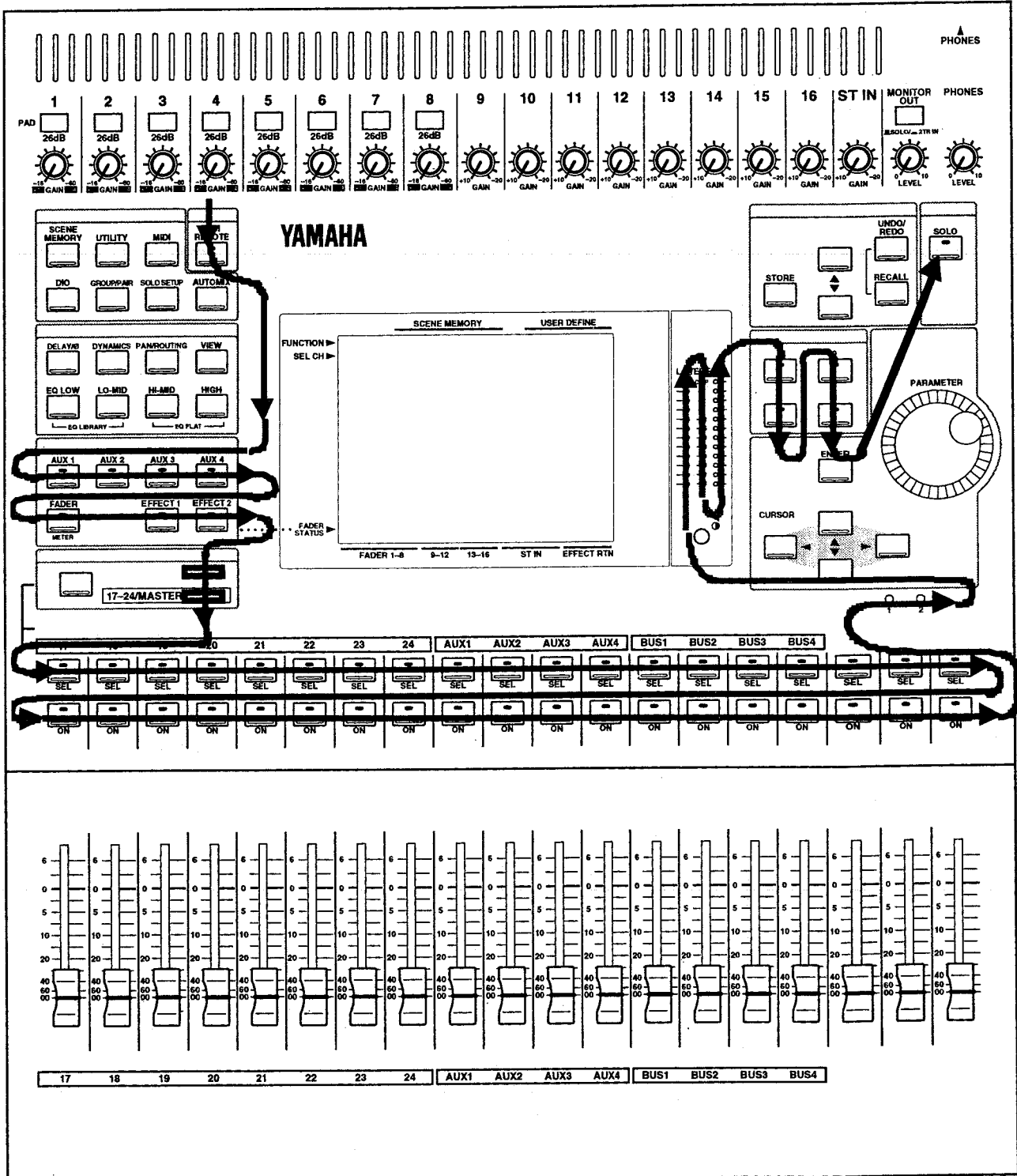
次のページの順番でLEDが点灯しますので目視で確認します。

```
03D DIAGNOSTICS PROGRAM V1.00
 1.Initial Test       9.WordClock Test
 2.DSP&DRAM Test    10.DIO Test
 3.LCD Test         11.Slot Test
 4.LED Test        12.AD/DA Test(Sheet only)
 5.Switch Test    13.--reserved--
 6.Enc/Mouse Test  14.Exit
 7.Fader Test      15.Fader Asins
 8.Comm. Test     16.Factory Preset

4.LED Test  OK
```

全てのLEDを点灯し終わったらOKを表示します。
全てのLEDを点灯し終える前に[ENTER]キーが押されるとNGを表示します。

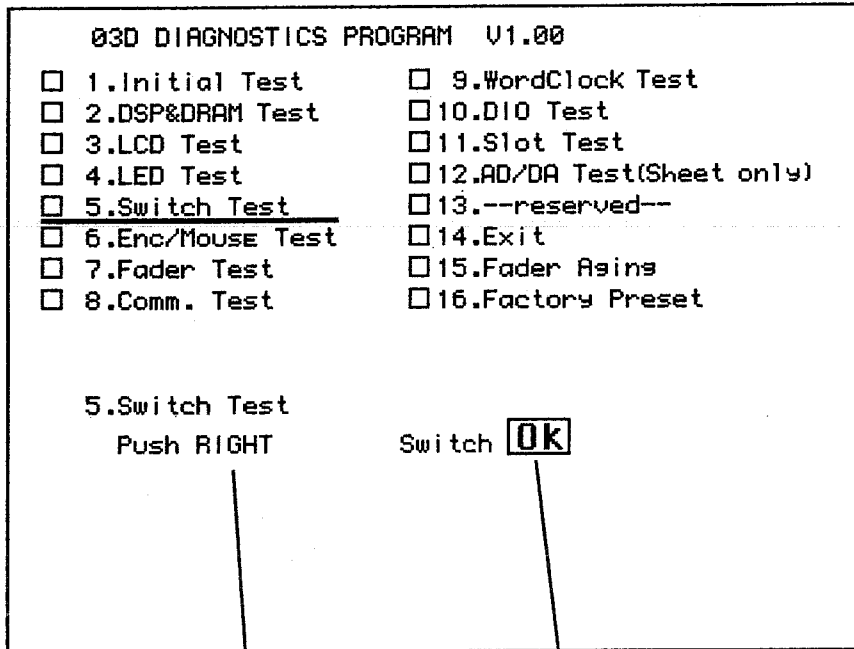
LED テストの点灯順



5. SWITCH TEST

画面に指示されたキーを順次押してチェックします。

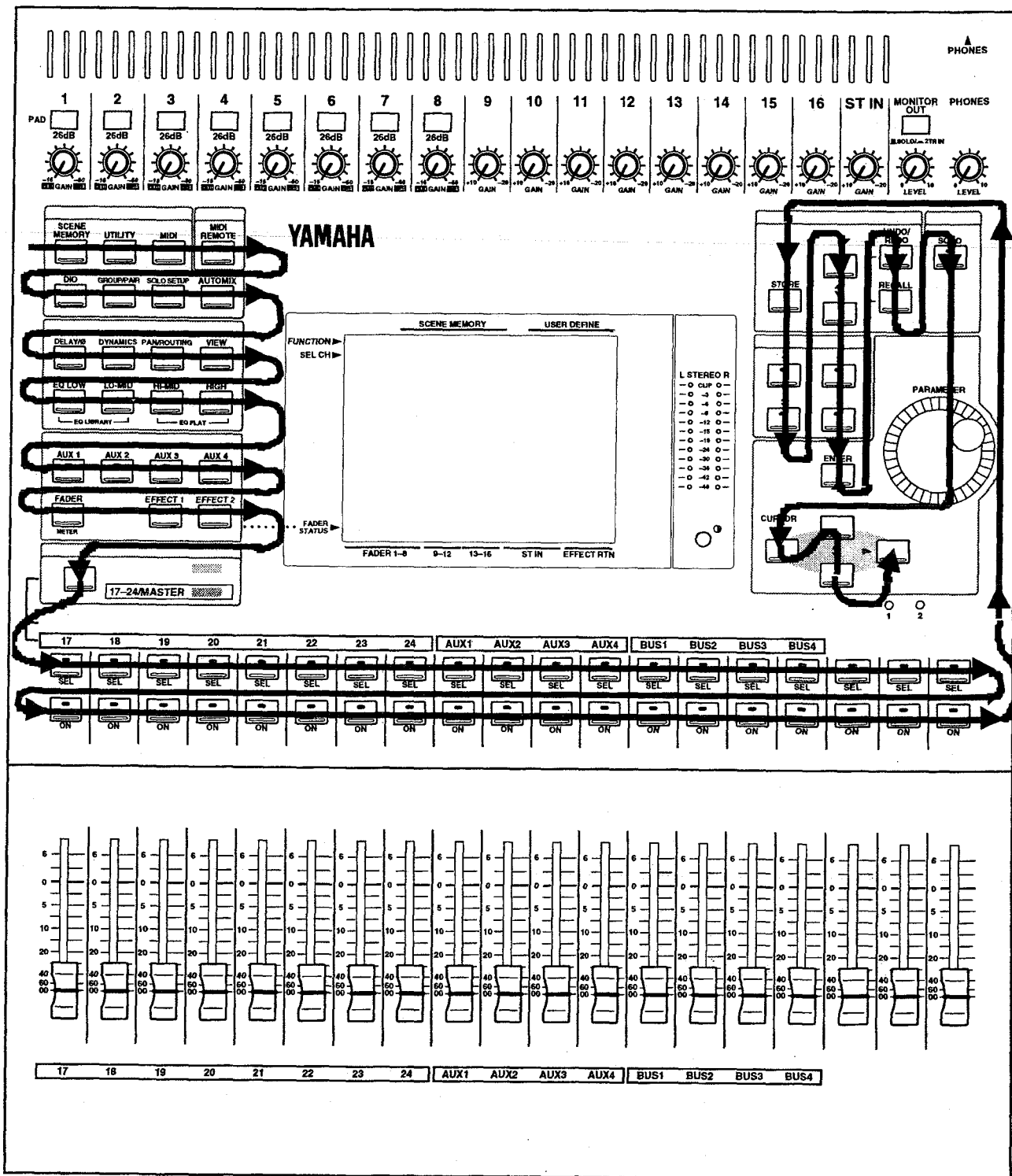
全て順番通りスイッチを押すと OK が表示され、途中で最後のキー(CURSOR ▶)を押すと NG が表示されテストは終了します。



押すべきキーの名称を表示します。

全て順番通りスイッチを押すとOKが表示され、途中で最後のキー(CURSOR ▶)を押すとNGが表示されテストは終了します。

SW テストの手順



6. ENCODER/MOUSE TEST

エンコーダとマウスを画面の指示に従い操作してチェックします。

03D DIAGNOSTICS PROGRAM V1.00

<input type="checkbox"/> 1.Initial Test	<input type="checkbox"/> 9.WordClock Test
<input type="checkbox"/> 2.DSP&DRAM Test	<input type="checkbox"/> 10.DIO Test
<input type="checkbox"/> 3.LCD Test	<input type="checkbox"/> 11.Slot Test
<input type="checkbox"/> 4.LED Test	<input type="checkbox"/> 12.AD/DA Test(Sheet only)
<input type="checkbox"/> 5.Switch Test	<input type="checkbox"/> 13.--reserved--
<input checked="" type="checkbox"/> 6.Enc/MOUSE Test	<input type="checkbox"/> 14.Exit
<input type="checkbox"/> 7.Fader Test	<input type="checkbox"/> 15.Fader Asing
<input type="checkbox"/> 8.Comm. Test	<input type="checkbox"/> 16.Factory Preset

Encoder --->

MOUSE Push L Push R OK

エンコーダを回す方向を表示します。

押すべきマウスのボタンを表示します。

正常に終了すればOKが表示され、途中で[ENTER]キーを押すとNGを表示し、テストは終了します。

6-1. エンコーダのテスト

- 6-1-1. エンコーダを「左」(時計と逆、表示は<---)に回します。
- 6-1-2. エンコーダを「右」(時計方向、表示は-->)に回します。
- 6-1-3. 正常の場合右側に OK が表示されて、マウスのテストに進みます。
途中で[ENTER]キーを押すと NG と表示してテストは終了します。

6-2. マウスのテスト

- 6-2-1. マウス「左」ボタンを押します。
- 6-2-2. マウス「右」ボタンを押します。
- 6-2-3. 正常の場合右側に OK が表示され、テストは終了します。

7. FADER TEST

フェーダーのキャリブレーションを自動実行した後、各フェーダーの往復の移動時間を測定します。1本でもNGがあるとOKの判定はできませんので、必要に応じてフェーダーの交換やエージング(Test No. 15)などを行います。

```

03D DIAGNOSTICS PROGRAM V1.00
 1.Initial Test       9.WordClock Test
 2.DSP&DRAM Test    10.DIO Test
 3.LCD Test          11.Slot Test
 4.LED Test          12.AD/DA Test(Sheet only)
 5.Switch Test       13.--reserved--
 6.Enc/Mouse Test    14.Exit
 7.Fader Test        15.Fader Asins
 8.Comm. Test     16.Factory Preset

7.Fader Test
Fader Calibration : END
  [ 1] [ 2] [ 3] [ 4] [ 5] [ 6] [ 7] [ 8]
UP  0.11 0.14 0.12 0.11 0.15 0.11 0.15 0.12
DOWN 0.12 0.11 0.13 0.11 0.12 0.11 0.14 0.12
  [ 9] [10] [11] [12] [13] [14] [15] [16]
UP  0.11 0.14 0.12 0.11 0.15 0.11 0.15 0.12
DOWN 0.12 0.11 0.13 0.11 0.12 0.11 0.14 0.12
  [17] [18] [19]
UP  0.15 0.11 0.14
DOWN 0.12 0.11 0.11
  
```

OK

キャリブレーション終了時
ENDを表示します。

移動時間表示

テスト結果(OKまたはNG)

```

03D DIAGNOSTICS PROGRAM V1.00
 1.Initial Test       9.WordClock Test
 2.DSP&DRAM Test    10.DIO Test
 3.LCD Test          11.Slot Test
 4.LED Test          12.AD/DA Test(Sheet only)
 5.Switch Test       13.--reserved--
 6.Enc/Mouse Test    14.Exit
 7.Fader Test        15.Fader Asins
 8.Comm. Test     16.Factory Preset

7.Fader Test
Fader Calibration : END
  [ 1] [ 2] [ 3] [ 4] [ 5] [ 6] [ 7] [ 8]
UP  0.11 0.14 0.12 0.11 0.15 0.11 0.15 -NG-
DOWN 0.12 0.11 0.13 0.11 0.12 0.11 0.14 -NG-
  [ 9] [10] [11] [12] [13] [14] [15] [16]
UP  0.11 0.14 0.12 0.11 0.15 0.11 0.15 0.12
DOWN 0.12 0.11 0.13 0.11 0.12 0.11 0.14 0.12
  [17] [18] [19]
UP  0.15 0.11 0.14
DOWN 0.12 0.11 0.11
  
```

NG

移動時間が規定時間(0.3秒)をオーバー
するとNGを表示します。

8. COMM TEST

Communication port のチェックを行います。

03D DIAGNOSTICS PROGRAM V1.00

<input type="checkbox"/> 1.Initial Test	<input type="checkbox"/> 9.WordClock Test
<input type="checkbox"/> 2.DSP&DRAM Test	<input type="checkbox"/> 10.DIO Test
<input type="checkbox"/> 3.LCD Test	<input type="checkbox"/> 11.Slot Test
<input type="checkbox"/> 4.LED Test	<input type="checkbox"/> 12.AD/DA Test(Sheet only)
<input type="checkbox"/> 5.Switch Test	<input type="checkbox"/> 13.--reserved--
<input type="checkbox"/> 6.Enc/Mouse Test	<input type="checkbox"/> 14.Exit
<input type="checkbox"/> 7.Fader Test	<input type="checkbox"/> 15.Fader Assign
<input checked="" type="checkbox"/> 8.Comm. Test	<input type="checkbox"/> 16.Factory Preset

8. Comm. Test

OK

TO HOST REFUSE
9PIN REMOTE
PLEASE FUSE TO HOST & REFUSE 9PIN REMOTE
TO HOST Tx Rx
9PIN REMOTE REFUSE

OK

OK

OK

OK

接続チェックの結果 (OKまたはNG)

この表示が出たら、接続を切り替えて [ENTER]キーを押します。

未接続状態チェックの結果 (OKまたはNG)

8-1 接続状態チェック

COMMUNICATION チェック用ボードの TO HOST ON/OFF スイッチが OFF になっていることと、TO EDITOR 端子に 3 ピン-7 ピンと 2 ピン-8 ピンをショートしたコネクタ(ショートコネクタ)が挿入されていることを確認してからテストをスタートします。OK の場合は次の未接続状態のテストに進みます。

8-2 未接続状態チェック

接続状態のテストが OK になると、画面に”PLEASE FUSE RO HOAT & REFUSE 9PIN REMOT”の指示が表示されますので、TO EDITOR 端子のショートコネクタを外し、COMMUNICATION チェック用ボードの TO HOST ON/OFF スイッチを ON にしてから [ENTER]キーを押して未接続状態でのチェックを行います。

尚、このチェックは TxRx をショートしたジャックを利用してもチェック出来ます。

8-3 MIDI IN/OUT、THRU のチェック

MIDI からの MIDI プログラムチェンジ信号で Menu を選び、MIDI OUT にテスト結果の OK や NG が出力されることで確認します。又、MIDI IN に入れた信号が MIDI THRU に出ることも確認します。

9. WORD CLOCK TEST

Word Clock In/Out (BNC)をテストします。

```

03D DIAGNOSTICS PROGRAM  V1.00
 1.Initial Test            9.WordClock Test
 2.DSP&DRAM Test        10.DIO Test
 3.LCD Test               11.Slot Test
 4.LED Test               12.AD/DA Test(Sheet only)
 5.Switch Test          13.--reserved--
 6.Enc/Mouse Test       14.Exit
 7.Fader Test            15.Fader Asins
 8.Comm. Test          16.Factory Preset

9.Word Clock Test -----  OK
Make Test Loop and Press ENTER!
 Internal Word Clock In/Out  OK

Change External Switch and Press ENTER!
 Word Clock Min [32KHz-6.5%]  OK
 Word Clock Max [48KHz+6.5%]  OK
  
```

3項目すべてOKならばOKとなり、それ以外はNGを表示します。

Communication チェック用ボードで、WORD CLOCK OUT からWORD CLOCK IN に信号が入力される状態にし、[ENTER]キーを押してテストを開始します。

テスト結果の表示(OKまたはNG)

```

03D DIAGNOSTICS PROGRAM  V1.00
 1.Initial Test            9.WordClock Test
 2.DSP&DRAM Test        10.DIO Test
 3.LCD Test               11.Slot Test
 4.LED Test               12.AD/DA Test(Sheet only)
 5.Switch Test          13.--reserved--
 6.Enc/Mouse Test       14.Exit
 7.Fader Test            15.Fader Asins
 8.Comm. Test          16.Factory Preset

9.Word Clock Test -----  OK
Make Test Loop and Press ENTER!
 Internal Word Clock In/Out  OK

Change External Switch and Press ENTER!
 Word Clock Min [32KHz-6.5%]  OK
 Word Clock Max [48KHz+6.5%]  OK
  
```

Communication チェック用ボードで、TO HOST から WORD CLOCK IN に信号が入力される状態にして、[ENTER]キーを押してテストを開始します。

テスト結果の表示(OKまたはNG)

注:この検査は、通信チェック用回路が接続されないと動作しません。

10. DIO TEST

DIGITAL STEREO IN/OUT (AES/EBU, COAXIAL)のテストを行います。

```
03D DIAGNOSTICS PROGRAM V1.00
 1.Initial Test       9.WordClock Test
 2.DSP&DRAM Test    10.DIO Test
 3.LCD Test         11.Slot Test
 4.LED Test         12.AD/DA Test(Sheet only)
 5.Switch Test      13.--reserved--
 6.Enc/Mouse Test   14.Exit
 7.Fader Test       15.Fader Preset
 8.Comm. Test      16.Factory Preset
10.DIO Test  OK
Make Test Loop and Press Enter!
 AES/EBU   Status:  OK   Audio:  OK
 COAXIAL   Status:  OK   Audio:  OK
```

4項目すべてOKならばOKとなり、それ以外はNGを表示します。

テスト開始前にSTEREO OUT (DIGITAL)とDIGITAL STEREO INを接続します。[ENTER]キーを押してテストを開始します。

テスト結果 (OKまたはNG)

テスト結果 (OKまたはNG)

11. SLOT TEST

スロットのテストを行います。スロットに治具用カードが挿入されていることを確認します。

スロットのSLOT IDポートをチェックします。
 "O"—OK, "X"—NG
 NGの場合はSLOT IDポートまたはData Bus
 0~2に異常があります。

スロットのIRQSLTをチェックします。
 "O"—OK, "X"—NG
 NGの場合はIRQSLTポートまたはData Bus
 3に異常があります。

```

03D DIAGNOSTICS PROGRAM V1.00

 1.Initial Test       9.WordClock Test
 2.DSP&DRAM Test   10.DIO Test
 3.LCD Test           11.Slot Test
 4.LED Test           12.AD/DA Test(Sheet only)
 5.Switch Test       13.--reserved--
 6.Enc/Mouse Test    14.Exit
 7.Fader Test        15.Fader Asins
 8.Comm. Test     16.Factory Preset

11.Slot Test
 SLOT ID(IDSLT0-2 & Data Bit0-2) [0001]
 IRQSLT(IRQSLT & Data Bus Bit3) [0]
 MUTEANA & RESANA & Data Bus Bit4-7
    [00000000]
 WORD CLOCK (WC1SLT-WC4SLT) [00000]
 SIGNAL CHECK(N1SLT-14SLT & O1SLT-O4SLT)
    [0000]
    
```

5項目すべて"O"なればOK、
それ以外はNGを表示します。

すべて"O"となればOK、
それ以外はNGを表示します。

MUTEANA DATA BUS2 DATA BUS4 DATA BUS6
 RESANA DATA BUS3 DATA BUS5 DATA BUS7

各スロットのMUTEANA, RESANA, DATA BUS 4~7をチェックします。 "O"—OK, "X"—NG

```

03D DIAGNOSTICS PROGRAM V1.00

 1.Initial Test            9.WordClock Test
 2.DSP&DRAM Test        10.DIO Test
 3.LCD Test                 11.Slot Test
 4.LED Test                  12.AD/DA Test(Sheet only)
 5.Switch Test             13.--reserved--
 6.Enc/Mouse Test          14.Exit
 7.Fader Test               15.Fader Asins
 8.Comm. Test             16.Factory Preset

11.Slot Test _____

 SLOT ID<IDSLT0-2 & Data Bit0-2> [000]
 IRQSLT<IRQSLT & Data Bus Bit3> [0]
 MUTEANA & RESANA & Data Bus Bit4-7
    [00000000]
 WORD CLOCK<WC1SLT-WC4SLT> [00???]
    
```

入力ポート

FSM 64FSM 256FSM
 SYNCM 128FSM ? :チェック中/チェック待ち

FSM, SYNCM, 64FSM, 128FSM, 256FSMの出力およびWC1SLT~WC4SLTポートをチェック結果
 "O"—OK, "X"—NG

```

03D DIAGNOSTICS PROGRAM V1.00

 1.Initial Test            9.WordClock Test
 2.DSP&DRAM Test        10.DIO Test
 3.LCD Test                 11.Slot Test
 4.LED Test                  12.AD/DA Test(Sheet only)
 5.Switch Test             13.--reserved--
 6.Enc/Mouse Test          14.Exit
 7.Fader Test               15.Fader Asins
 8.Comm. Test             16.Factory Preset

11.Slot Test _____

 SLOT ID<IDSLT0-2 & Data Bit0-2> [000]
 IRQSLT<IRQSLT & Data Bus Bit3> [0]
 MUTEANA & RESANA & Data Bus Bit4-7
    [00000000]
 WORD CLOCK<WC1SLT-WC4SLT> [00000]
 SIGNAL CHECK<I1SLT-I4SLT & O1SLT-O4SLT>
    [0000]
    
```

下の5項目すべてOKならばOK、
 それ以外はNGを表示します。

テスト結果 (OKまたはNG)

I1SLT,O1SLT I3SLT,O3SLT
 I2SLT,O2SLT I4SLT,O4SLT

I1SLT~I4SLT入力及びO1SLT~O4SLT出力のチェック結果を表示します。

12. AD/DA TEST (SEAT ONLY)

このテストは、MAINシートチェックで工場での検査用で、ここでは実行しません。

14. EXIT

DIAG から抜けます。

15. FADER AGING

フェーダーのエージングの為、フェーダーの上下動を 100 往復行います。[ENTER]キーでメニュー画面に戻ります。

```

03D DIAGNOSTICS PROGRAM V1.00

 1.Initial Test       9.WordClock Test
 2.DSP&DRAM Test   10.DIO Test
 3.LCD Test         11.Slot Test
 4.LED Test         12.AD/DA Test(Sheet only)
 5.Switch Test    13.--reserved--
 6.Enc/Mouse Test  14.Exit
 7.Fader Test      15.Fader Aging
 8.Comm. Test    16.Factory Preset

15.Fader Aging
(100times)
[=END=]
```

残り回数を表示します。終了時はENDと表示します。

16. FACTORY PRESET

Factory preset の為のメモリーイニシャライズと ID の設定を行います。

```

03D DIAGNOSTICS PROGRAM  V1.00
 1.Initial Test            9.WordClock Test
 2.DSP&DRAM Test        10.DIO Test
 3.LCD Test              11.Slot Test
 4.LED Test              12.AD/DA Test(Sheet only)
 5.Switch Test          13.--reserved--
 6.Enc/Mouse Test       14.Exit
 7.Fader Test           15.Fader Asins
 8.Comm. Test          16.Factory Preset

16.Factory Preset
ID ...790EC209  ALREADY EXIST
CANCEL  INIT    INIT&ID
...DONE
  
```

すでに入っているIDがある場合に
表示します。

すでに入っているIDが、下記のBULK
データにより送られたIDを表示します。

カーソルを合わせて[ENTER]キーを押すと
実行してIDを更新します。

カーソルを合わせて[ENTER]キーを押すと
イニシャライズ実行します。

各操作は、以下のようなプログラムチェンジで MIDI から操作することが出来ます。

```

CANCEL  C0 78
INIT    C0 78
INIT&ID C0 78
  
```

ID は、以下のような MIDI System Exclusive メッセージで入力することが出来ます。基本的に一度限りです。

```

F0 43 00 7E 00 18 4C 4D 20 20 38 42 30 33 54 21
30 33 44 20 yy mo dd hh mn 20 20 20 20 20 00 F7
yy: year
mo: month
dd: date
hh: hour
mn: minute
  
```

■ バージョンアップの方法

03Dは、フラッシュメモリーを搭載しており、MIDI IN もしくはTO HOST 端子からソフトウェアのバージョンアップが可能です。このバージョンアップは、Macintosh、WindowsPC、MIDI データーファイラーなどから行うことができます。

A 接続

各機種との接続は、下表に示す端子、ケーブル、ソフトウェアを使用します。

	送信側	受信側	使用する 03D の端子名	ケーブル	推奨ソフトウェア
1	03D	03D	TO HOST	Macintosh serial cable	-
2	MDF2	03D	MIDI IN	MIDI cable	-
3	Macintosh	03D	TO HOST	Macintosh serial cable	Terminal-J
4	PC	03D	TO HOST	PC serial cable	Hyper terminal

Macintosh serial cable: Mini DIN 8P-Mini DIN 8P cross cable for Macintosh
(ex. CCJ-MAC serial cable for YAMAHA CBX)

PC cable: Dsub 9P-mini DIN 8P
(ex. CCJ-PC2 serial cable YAMAHA CBX)

注: Hyper terminal は、Windows95 上の標準的なアプリケーションです。

B バージョンアップの方法

1 Macintosh を使用した場合のバージョンアップ

- 1-1 Macintosh と 03D を Mini DIN 8P cross cable で接続します。
 - 1-2 Macintosh の電源を入れます。
 - 1-3 03D の[UTILITY]キー、[DYNAMICS]キー、[EFFECT2]キーを押しながら電源を入れます。
 - 1-4 Macintosh の APPLE TALK を OFF します。
 - 1-5 Macintosh で Terminal-J を起動します。
 - 1-6 Terminal-J のメニューバーOption 内の Connection を以下のように設定します。
Method: Direct Serial/Baud Rate:38.4k/Parity bits:None/Data bits:8bits/Stop bits:1/Handshake:none. (図 1)
 - 1-7 Terminal-J のメニューバーOption 内の Transfer を以下のように設定します。
Binary[recognize and use MacBinary]OFF. (図 2)
 - 1-8 Terminal-J のメニューバーOption 内の X/YMODEM を以下のように設定します。
CRC OFF (図 3)
 - 1-9 Terminal-J のメニューバーSession 内の Connect を選択します。
 - 1-10 03D の[CURSOR]キーと[ENTER]キーを使って以下のように設定します。
PORT:TO HOST,FLYING:ON,UPDATE BLOCK:ALL (図 4)
 - 1-11 Terminal-J のメニューバーFile 内の TransmitXMODEM を選択し、ダイアログで 03D-V***.T を選択します。(***はバージョンナンバーです。)(図 5)
 - 1-12 03D の START を選んで[ENTER]キーを押します。
 - 1-13 しばらくすると 03D に下記のメッセージが表示されます。
"Please send 0,1,2,3,4,5,6,7,8,9,A,B,..." (図 6)
 - 1-14 Terminal-J のメニューバーFile 内の TransmitXMODEM を選択し、ダイアログで 03D-V***.X を選択します。(***はバージョンナンバーです。)(図 5)
 - 1-15 03D の START を選んで[ENTER]キーを押します。
 - 1-16 しばらくすると 03D に EXIT[] が現れます。EXIT を行うと通常モードに戻ります。
- 注: データ受信中は"*"が点滅します。

2 PC (Windows95)を使用した場合

- 2-1 PC (Windows95)と 03D を Dsub9P-miniDIN8P Cable で接続します。
- 2-2 PC の電源を入れます。
- 2-3 03D の[UTILITY]キー、[DYNAMICS]キー、[EFFECT2]キーを押しながら電源を入れます。
- 2-4 PC の Hyper terminal を起動します。
- 2-5 Hyper terminal の「ファイル」内で新しい接続を選択し、ウィザードに従い設定します。(図 7)

名前: 適当な名前をつけます。

接続方法: 接続している COM ポートにダイレクト

ポートの設定: ビット/秒: 38400
 データビット/秒: 8
 パリティ: なし
 ストップビット: 1
 フロー制御: なし

2-6 Hyper terminal の「通信」内の接続を選択します。

2-7 03D の[CURSOR]キーと[ENTER]キーを使って以下のように設定します。

PORT:TO HOST,FLYING:ON,UPDATE BLOCK:ALL (図 4)

2-8 Hyper terminal の「転送」内のファイル送信を選択し、ダイアログで XMODEM と 03D-V***.T を選択します。(***はバージョンナンバーです。)(図 8)

2-9 03D の START を選んで[ENTER]キー押します。

2-10 しばらくすると 03D に下記のメッセージが表示されます。

"Please send 0,1,2,3,4,5,6,7,8,9,A,B,..." (図 6)

2-11 Hyper terminal の「転送」内のファイル送信を選択し、ダイアログで XMODEM と 03D-V***.X を選択します。(***はバージョンナンバーです。)(図 8)

2-12 03D の START を選んで[ENTER]キー押します。

2-13 しばらくすると 03D に EXIT[] が現れます。EXIT を行うと通常モードに戻ります。

注: データ受信中は"*"が点滅します。

3 MDF2 (MIDI)を使用した場合

使用するフロッピーディスクは、3 枚あります。

A. ディスク 1: 03D***.T, 03D***.X

B. ディスク 2: 03D***.Y

C. ディスク 3: 03D***.Z

3-1 MDF2 の MIDI OUT と 03D の MIDI IN を MIDI Cable で接続します。

3-2 MDF2 の電源を入れ、ディスク 1 をセットします。

3-3 03D の[UTILITY]キー、[DYNAMICS]キー、[EFFECT2]キーを押しながら電源を入れます。

3-4 03D の[CURSOR]キーと[ENTER]キーを使って以下のように設定します。

PORT:MIDI,FLYING:ON,UPDATE BLOCK:ALL (図 4)

3-5 MDF2 を、MDR モードにして[FILE DATA]キーで 03D***.T を選択します。(***はバージョンナンバーです。)

3-6 03D の START を選んで[ENTER]キー押します。

3-7 MDF2 をプレーします。

3-8 しばらくすると 03D に下記のメッセージが表示されます。

"Please send 0,1,2,3,4,5,6,7,8,9,A,B,..." (図 6)

3-9 MDF2 のディスク 1 の 03D***.X を選択してプレーします。(***はバージョンナンバーです。)

3-10 ディスク 1 の全てのブロックの転送が終わったことを確認して、ディスク 2 と交換し、03D***.Y を選択してプレーします。(***はバージョンナンバーです。)

3-11 ディスク 2 の全てのブロックの転送が終わったことを確認して、ディスク 3 と交換し、03D***.Z を選択してプレーします。(***はバージョンナンバーです。)

3-13 しばらくすると 03D に EXIT[] が現れます。EXIT を行うと通常モードに戻ります。

注: データ受信中は"*"が点滅します。

4 03D を使用した場合

4-1 03D の送信側と受信側の TO HOST を mini DIN 8P cross cable で接続します。

4-2 送信側の 03D の[UTILITY]キー、[DYNAMICS]キー、[EFFECT2]キーを押しながら電源を入れます。

"BOOT UP PROGRAM..."の表示が現れたらすぐに AUX4 キー、EFFECT1 キーを押します。(図 9)

4-3 受信側の 03D の[UTILITY]キー、[DYNAMICS]キー、[EFFECT2]キーを押しながら電源を入れます。(図 4)

4-4 送信側の 03D を、[CURSOR]キーと[ENTER]キーを使って TRASMIT: FAST を選択します。

4-5 受信側の 03D を、[CURSOR]キーと[ENTER]キーを使って以下のように設定します。

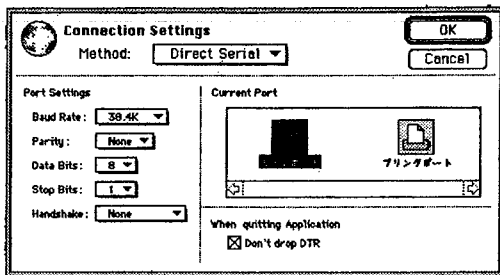
PORT:FAST,FLYING:ON,UPDATE BLOCK:ALL (図 4)

4-6 送信側の 03D の START を選んで[ENTER]キー押します。

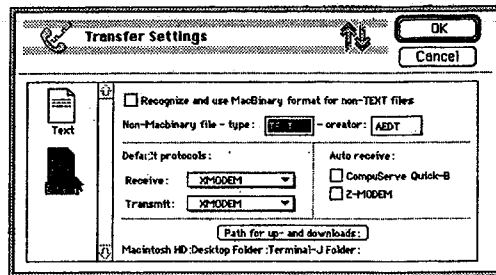
- 4-7 受信側の 03D の START を選んで[ENTER]キー押します。
- 4-8 しばらくすると 03D に下記のメッセージが表示されます。

"Please send 0,1,2,3,4,5,6,7,8,9,A,B,..." (図 6)

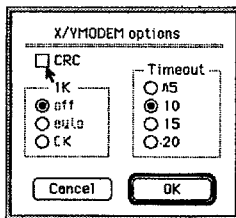
- 4-9 再度、送信側の 03D の START を選んで[ENTER]キー押します。
 - 4-10 再度、受信側の 03D の START を選んで[ENTER]キー押します。
 - 4-11 しばらくすると 03D に EXIT[]が現れます。EXIT を行うと通常モードに戻ります。
- 注: データ受信中は"*"が点滅します。



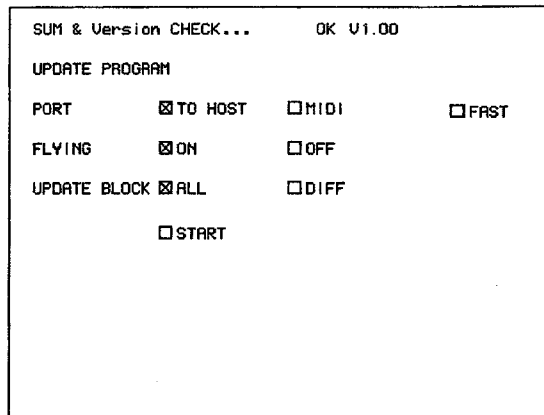
(図1)



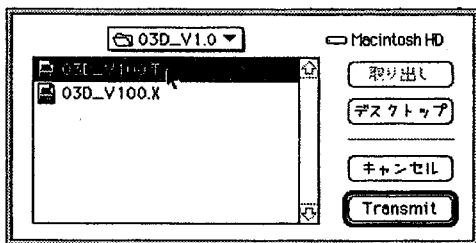
(図2)



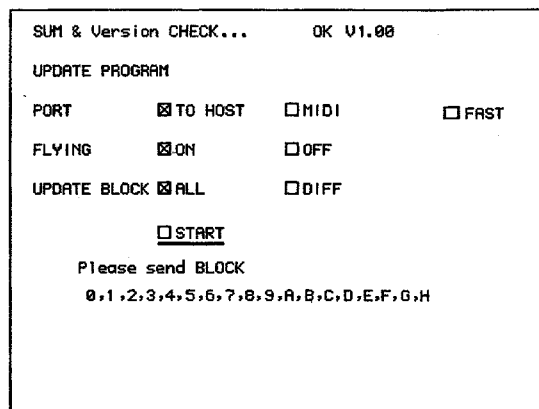
(図3)



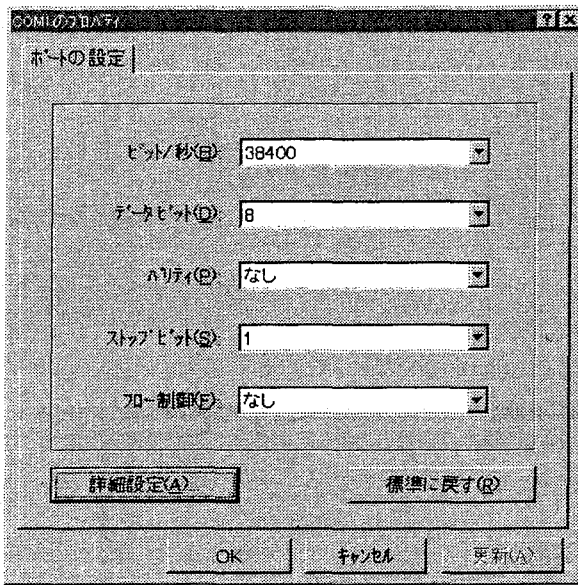
(図4)



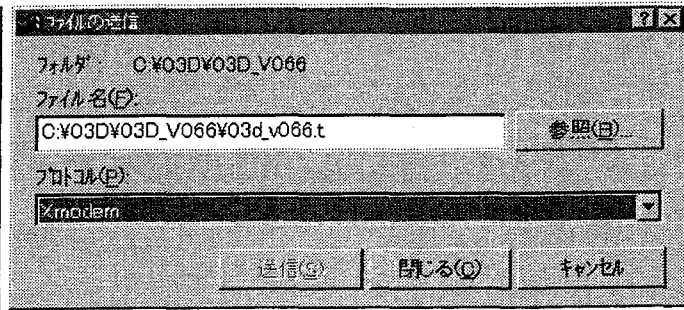
(図5)



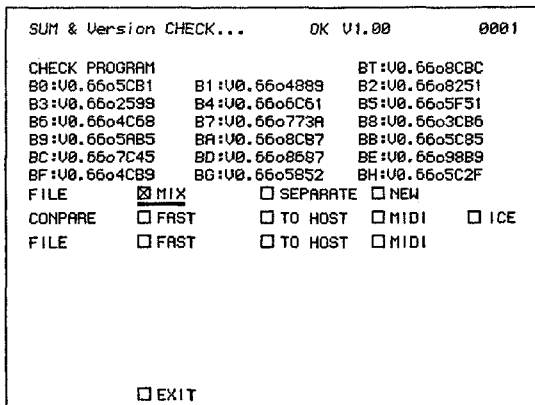
(図6)



(図7)



(図8)



(図9)

■ ディスプレイメッセージ一覧

AUTOMIX MEMORY FULL!	オートミックスのメモリーに空きがありません。不要なメモリーを消去したり、MIDIデータファイラーに保存するなどして空き領域を作ってください。
AUTOMIX REC ABORTED.	オートミックスの記録を停止しデータを破棄しました。 (このときオートミックスのアンドゥバッファがENABLEに設定されていればアンドゥが可能です。)
AUTOMIX REC STOPPED.	オートミックスの記録を停止しました。
AUTOMIX REC TIME EXCEEDED!	オートミックスのトータルの記録時間が許容範囲を超えました。
AUTOMIX RUNNING.	オートミックスの記録中または再生中のため操作を実行できません。
BULK:AUTOMIX MEMORY FULL!	オートミックスのメモリーに空きがないため受信したバルクデータを格納出来ません。
BULK:BYTE COUNT MISMATCH!	受信したバルクデータのバイトカウントが不正です。
BULK:CHECK SUM MISMATCH!	受信したバルクデータのチェックサムが不正です。
BULK:MEMORY PROTECTED!	データの格納先にプロテクトが施されているため受信したバルクデータを格納できません。
CANNOT CONNECT!	MIDI REMOTE画面で被制御機器との相互接続に失敗しました。ポートの設定、接続の見直しを行なってください。
CANNOT EXECUTE(NO DATA).	データがストアされていないため実行できません。
CH17-24 ARE DISABLED!	03DのYGDALスロットにCD8-CSカスケードカードが装着されている場合、チャンネル入力17-24は無効となります。
DIGITAL ST IN SYNC ERROR!	DIGITAL ST INに入力されている信号がワードクロックマスターに同期していません。そのまま使用すると音声にノイズが混入する可能性がありますので、正しく同期の取れた信号を入力してください。 (このメッセージはUTILITY画面のPreferencesページで表示しないように設定することも出来ます。)
FOR EFFECT2 ONLY.	選択しているエフェクトプログラムはEFFECT2にのみコールが可能です。
LOW BATTERY!!	内蔵バッテリーの寿命が近付いています。03Dに保存されているデータのバックアップをとったうえで(242ページ「バルクダンプ」)お買い上げの販売店にバッテリーの交換をご依頼ください。
MIDI IN:DATA FRAMING ERROR!	MIDI IN端子に適正でない信号が入力されていることが考えられます。
MIDI IN:DATA OVERRUN!	MIDI IN端子に適正でない信号が入力されていることが考えられます。
MIDI:Rx BUFFER FULL!	03DへのMIDIデータの流入量が多すぎることが考えられます。
MIDI:Tx BUFFER FULL!	03DからのMIDIデータの送信量が多すぎることが考えられます。

NO DATA TO RECALL.	データがストアされていないためリコールできません。
RECALL SAFE DATA CONFLICT!	シーンメモリーのリコールセーフ機能で特定のチャンネルが保護されていますが、リコールしようとしているメモリーはBUS/AUXのペア状態やパンモード(ステレオ/サラウンド)が異なっているためシーンリコールを実行できません。
SOLO READY.	ソロレディー状態です。[SEL]キーでソロチャンネルを選択出来ます。
SOLO SLAVE.	カスケードスレーブの時はソロのステータスを変更することはできません。マスター側コンソールのソロキーを押してください。
TC FRAME JUMP!	入力されているタイムコードのフレームがジャンプ、または逆走しました。タイムコードを出力している機器の見直しを行なってください。
TC TYPE MISMATCH!	オートミックスのTIME BASE設定と異なるタイプのタイムコードが入力されました。この設定では正しくオートミックスが再生されない恐れがありますので設定の見直しを行なってください。
TO HOST:DATA FRAMING ERROR!	TO HOST端子に適正でない信号が入力されていることが考えられます。
TO HOST:DATA OVERRUN!	TO HOST端子に適正でない信号が入力されていることが考えられます。
TO HOST:DATA PARITY ERROR!	TO HOST端子に適正でない信号が入力されていることが考えられます。
TO HOST:RX BUFFER FULL!	TO HOST端子へのデータの流入量が多すぎることが考えられます。
TO HOST:TX BUFFER FULL!	03DからのTO HOST端子へのデータ送信量が多すぎることが考えられます。
WRONG WORD CLOCK!!	03Dが選択した同期すべき接続機器からのワードクロックが適切ではありません。その設定では同期システムが構築出来ないということです。システムの接続状態の見直しやDIO画面D.In Setupページの“AUTO NAVIGATE”機能を利用するなどして適正なワードクロックを選択し直してください。
YGDAI INPUT SYNC ERROR!	YGDAIカードの入力端子に入力されている信号がワードクロックマスターに同期していません。そのまま使用すると音声にノイズが混入する可能性がありますので、正しく同期の取れた信号を入力してください。 (但し、同期システムが正しく構築されていてもデジタルMTRがチェイス状態になるまでの間クロックが不安定になりこのメッセージが表示される場合があります。このメッセージはUTILITY画面のPreferencesページで表示しないように設定することも出来ます。)

■ MIDI DATA FORMAT (MIDIデータフォーマット)

1 Transmit/Receive Data

1.1 Channel Messages

1.1.1 Note On/ Note Off

When FADER START is on, Note-on messages will be transmitted when odd numbered faders from 1 through 15 are raised from -infinity (velocity 127) or lowered to -infinity (velocity 0).

CH	Note No.
1	37 (25h)
3	38 (26h)
5	39 (27h)
7	40 (28h)
9	41 (29h)
11	42 (2Ah)
13	43 (2Bh)
15	44 (2Ch)

Also, Note-on/off messages are received when the Effect is being frozen and MIDI TRG is not set to OFF. In this case, the velocity is ignored.

1.1.2 Control Changes

Control change messages will be transmitted or received when transmission or reception are respectively turned on.

With a setting of OMNI, all channels will be received.

The 114 control numbers 0 through 95 and 102 through 119 can be freely assigned to mixer parameters.

Note: 0 and 32 are Bank Change messages, and in the case of a device which cannot transmit or receive these correctly unless they are used in conjunction with a Program Change message, it is possible that there will be problems with operation. In this case, do not assign 0 or 32.

Data values for transmission and reception are calculated as follows.

Given the following:

(128 or in the case of two-byte data 16384) / (number of parameter steps) = X...Y

$INT((Y+1)/2) = Z$

Reception

If $(MIDI\ DATA - Z) < 0$, then $INTERNAL = 0$

If $((MIDI\ DATA - Z) / X) > MAX$, then $INTERNAL = MAX$

Else, $INT((MIDI\ DATA - Z) / X) = INTERNAL$

Transmission

If $INTERNAL = 0$, then $MIDI\ DATA = 0$

If $INTERNAL = MAX$ then $MIDI\ DATA = (127\ \text{or in the case of two-byte data } 16384)$

Else, $(X \times INTERNAL) + INT(X/2) + Z = MIDI\ DATA$

1.1.3 Program Changes

Transmission/reception of these messages can be turned on/off in the MIDI page.

When a memory recall is executed, the program change message corresponding to that memory number will be transmitted on the specified MIDI channel.

If a program change message is received on the specified MIDI channel or in OMNI, the memory corresponding to that program number will be recalled.

The user is free to create the program change assign table.

1. TRANSMIT/RECEIVE DATA

1.1 CHANNEL MESSAGE

1.1.1 NOTE ON/NOTE OFF

FADER STARTをONにしておくことと1から15までの奇数のFADERが $-\infty$ (マイナス無限大)から上がったたり(VELOCITY 127) $-\infty$ になったり(VELOCITY 0)するとNOTE ONを送信する。

CH	Note No.
1	37 (25h)
3	38 (26h)
5	39 (27h)
7	40 (28h)
9	41 (29h)
11	42 (2Ah)
13	43 (2Bh)
15	44 (2Ch)

またEFFECTでFREEZEにしているMIDI TRGをOFFでない設定のときはNOTE ON/OFFを受信する。この場合VELOCITYは影響しない。

1.1.2 CONTROL CHANGE

CONTROL CHANGEの送信、受信をONにしておくこととそれぞれ送信、受信する。

OMNIを設定するとすべてのCHを受信する。

CONTROL No.の0から95、102から119の114のNo.をMIXERのパラメーターに任意にアサインできる。

注意: 0と32はBANK CHANGEでPROGRAM CHANGEと組み合わせないと送受信しない機器からの場合はうまく動作しない可能性がある。その場合は0と32にアサインしないこと。

送受信は以下の方法で変換される。

$(128\ \text{もしくは } 2\ \text{バイト DATA の時は } 16384) / (\text{NUMBER OF PARAMETER STEP}) = X...Y$

$INT((Y+1)/2) = Z$ として

受信

$(MIDI\ DATA - Z) < 0$ の時は $INTERNAL = 0$

$((MIDI\ DATA - Z) / X) > MAX$ の時は $INTERNAL = MAX$

それ以外の時 $INT((MIDI\ DATA - Z) / X) = INTERNAL$

送信

$INTERNAL = 0$ の時は $MIDI\ DATA = 0$

$INTERNAL = MAX$ の時は $MIDI\ DATA = (127\ \text{もしくは } 2\ \text{バイト DATA の時は } 16383)$

それ以外の時 $(X \times INTERNAL) + INT(X/2) + Z = MIDI\ DATA$ となる。

1.1.3 PROGRAM CHANGE

MIDI画面で送受信をON/OFFできる。

メモリーリコールが行われた時、そのメモリーNo.に対応したプログラムチェンジを設定したMIDIチャンネルで送信する。設定したMIDIチャンネルかOMNIでプログラムチェンジを受信した時、そのプログラムNo.に対応したメモリーをリコールする。

プログラムチェンジのアサイン表はユーザーが任意に作成できる。

1.2 System Exclusive Messages

1.2.1 Bulk Dump/Request

Transmission is always on. Reception can be specified.

Bulk Request messages can be transmitted on the specified MIDI channel by operations in the MIDI page.

Bulk Dumps can be transmitted by operations in the MIDI page, or in response to an incoming Bulk Request that is received on the specified DEVICE channel. The contents of the corresponding memory will be transmitted on the specified DEVICE channel.

When a Bulk Dump is received, the contents of the corresponding memory will be rewritten.

1.2.2 Parameter Change/Request

Transmission / reception can be turned on/off in the MIDI page.

When a parameter of this unit is edited, a parameter change message will be transmitted on the specified DEVICE channel if Parameter Change Transmission is on.

If Parameter Change Reception is on, receiving a Parameter Request on the specified DEVICE channel will cause the content of the corresponding parameter to be transmitted, regardless of whether transmission is on or off.

When Parameter Change Reception is on, and a Parameter Change is received on the specified DEVICE channel, the contents of the corresponding parameter will be modified.

1.2.3 MMC (MIDI Machine Control)

These messages can be transmitted according to the User Define settings.

1.3 System Common Messages

1.3.1 MTC Quarter Frame Messages

Received by Automix for synchronization.

1.3.2 Song Position Pointer

When Automix is set to MIDI Clock Base, these messages are received, and a following Continue command will cause synchronization to begin from the middle of the song.

1.4 System Real Time Messages

1.4.1 Timing Clock

These are received for synchronization when Automix is set to MIDI Clock Base.

1.4.2 Start, Continue, Stop

These are received when Automix is set to MIDI Clock Base, and will start/stop the automix.

These can also be transmitted according to the User Define settings.

1.4.3 Active Sensing

This is transmitted at intervals of less than 300 ms.

If after this message is received, no message is received for an interval longer than 300 ms, Running Status will be cleared.

1.4.4 System Reset

When this is received, Running Status will be cleared.

1.5 MIDI Remote

MIDI Remote settings allow all MIDI commands to be transmitted on the specified channel.

Control Change, Program Change, and Exclusive messages will be received in the format determined for the specified model.

1.6 Echo Back

This setting allows each received command to be re-transmitted.

1.2 SYSTEM EXCLUSIVE MESSAGE

1.2.1 BULK DUMP/REQUEST

送信は常にON。受信は設定できる。

バルクリクエストは設定したMIDIチャンネルでMIDI画面の操作で送信できる。

バルクダンプはMIDI画面での操作か、もしくは設定したDEVICEチャンネルでバルクリクエストを受信した時、対応するメモリーの内容を設定したDEVICEチャンネルで送信する。バルクアウトを受信した時は対応したメモリーの内容が変更する。

1.2.2 PARAMETER CHANGE/REQUEST

MIDI画面で送受信をON/OFFできる。

本体のパラメーターを変更した時はパラメーターチェンジの送信がONなら設定したDEVICEチャンネルで送信する。

パラメーターチェンジの受信がONで設定したDEVICEチャンネルでパラメーターリクエストを受信した時、送信のON/OFFによらず対応するパラメーターの内容を送信する。

パラメーターチェンジの受信がONで設定したDEVICEチャンネルでパラメーターチェンジを受信した時は対応するパラメーターの内容が変更する。

1.2.3 MMC (MIDI MACHINE CONTROL)

USER DEFINEの設定により送信できる。

1.3 SYSTEM COMMON MESSAGE

1.3.1 MTC QUARTER FRAME MESSAGE

AUTOMIXで受信して同期する。

1.3.2 SONG POSITION POINTER

AUTOMIXをMIDI CLOCK BASEにしている時に受信してこれに続くCONTINUEのコマンドにより曲の途中から同期する。

1.4 SYSTEM REAL TIME MESSAGE

1.4.1 TIMING CLOCK

AUTOMIXをMIDI CLOCK BASEにしている時に受信してこれに同期する。

1.4.2 START, CONTINUE, STOP

AUTOMIXをMIDI CLOCK BASEにしている時に受信してこれによりAUTOMIXがSTART, STOPする。

またUSER DEFINEの設定により送信できる。

1.4.3 ACTIVE SENSING

300ms以内に送信する。また受信後300ms以上なにも受信しなかった時はランニングステータスをクリアする。

1.4.4 SYSTEM RESET

受信するとランニングステータスをクリアする。

1.5 MIDI REMOTE

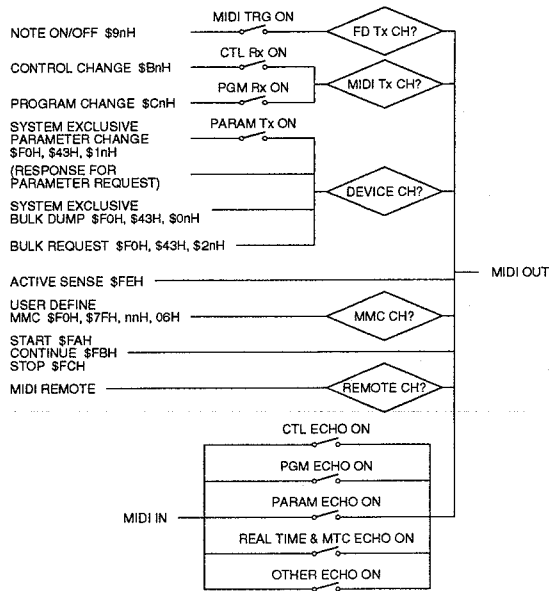
MIDI REMOTEは設定によりすべてのMIDIコマンドを任意のCHで送信できる。

CONTROL CHANGEとPROGRAM CHANGEとEXCLUSIVEは設定された機種によりその機種で決められたフォーマットで受信する。

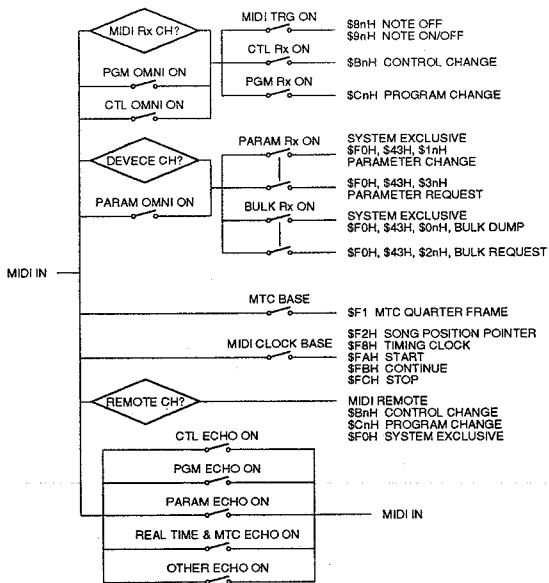
1.6 ECHO BACK

設定により受信した各コマンドを送信できる。

2. Transmission Condition



3. Receive Condition



4. Parameter Change & Request Format

Parameter Change & Request (basic format)

STATUS	11110000 F0	System Exclusive Message
ID No.	01000011 43	Manufacturer's ID No. (YAMAHA)
SUB STATUS	0ppppnnn 1n	p=mode 1:parameter change or response for request, 3:parameter request n=0-15 (Device Channel No.1-16)
MODEL ID	00111101 3d	MODEL ID
PARAM TYPE	0ttttttt tt	(type)
DATA	0d000000 dd0	data 0
	:	:
	0d000000 ddn	data n (max 33)
EOX	11110111 F7	End Of Exclusive

type :

0x08	edit buffer (byte operation format)
0x09	system memory (byte operation format)
0x0a	function call
0x0b	reserved
0x48	edit buffer (bit operation format)
0x49	system memory (bit operation format)
0x4a	reserved
0x4b	controller (key) (bit operation format)

Parameter Change (byte operation for type 0x08:edit buffer)

continuous address mode

STATUS	11110000 F0	System Exclusive Message
ID No.	01000011 43	Manufacturer's ID No. (YAMAHA)
SUB STATUS	0001nnnn 1n	parameter change or response n=0-15 (Device Channel No.1-16)
MODEL ID	00111101 3d	MODEL ID
PARAM TYPE	00001000 08	byte operation for edit bufer (type)
DATA	00vvaaaa aa0	bit6:0 continuous address mode v:valid data 0:1st means, 1:0-3bit, 2:4-6bit, 3:2nd means address (H) high 4 bits of 11 bits address address (L) low 7 bits of 11 bits address data
	:	: continuous address data
EOX	11110111 F7	End Of Exclusive

individual address mode

STATUS	11110000 F0	System Exclusive Message
ID No.	01000011 43	Manufacturer's ID No. (YAMAHA)
SUB STATUS	0001nnnn 1n	parameter change or response n=0-15 (Device Channel No.1-16)
MODEL ID	00111101 3d	MODEL ID
PARAM TYPE	00001000 08	byte operation for edit buffer (type)
DATA	01vvaaaa aa0	bit6:1 individual address mode v:valid data 0:ALL, 1:0-3bit, 2:4-6bit, 3:2nd means address (H) high 4 bits of 11 bits address address (L) low 7 bits of 11 bits address data
	0aaaaaaa aa1	bit6:1 individual address mode v:valid data 0:1st means, 1:0-3bit, 2:4-6bit, 3:2nd means address (H) high 4 bits of 11 bits address address (L) low 7 bits of 11 bits address data
	0d000000 dd1	data
	01vvaaaa aa2	bit6:1 individual address mode v:valid data 0:1st means, 1:0-3bit, 2:4-6bit, 3:2nd means address (H) high 4 bits of 11 bits address address (L) low 7 bits of 11 bits address data
	0aaaaaaa aa3	bit6:1 individual address mode v:valid data 0:1st means, 1:0-3bit, 2:4-6bit, 3:2nd means address (H) high 4 bits of 11 bits address address (L) low 7 bits of 11 bits address data
	0d000000 dd2	data
	:	:
EOX	11110111 F7	End Of Exclusive

Parameter Change (bit operation for type 0x48:edit buffer)

STATUS	11110000	F0	System Exclusive Message
ID No.	01000011	43	Manufacturer's ID No. (YAMAHA)
SUB STATUS	0001nnnn	1n	parameter change n=0-15 (Device Channel No.1-16)
MODEL ID	00111101	3d	MODEL ID
PARAM TYPE	01001000	48	bit operation for edit buffer (type)
DATA	0000aaaa	aa0	address (H) high 4 bits of 11 bits address
	0aaaaaaa	aa1	address (L) low 7 bits of 11 bits address
	0ddddddd	dd	data (bit 0-2:address offset, bit3:0=reset 1=set, bit4-6:change bit0-6)
	:	:	
EOX	11110111	F7	End Of Exclusive

Used to change on/off, etc., in bits.

Parameter Change (byte operation for type 0x09:system memory)

STATUS	11110000	F0	System Exclusive Message
ID No.	01000011	43	Manufacturer's ID No. (YAMAHA)
SUB STATUS	0001nnnn	1n	parameter change or response n=0-15 (Device Channel No.1-16)
MODEL ID	00111101	3d	MODEL ID
PARAM TYPE	00001000	09	byte operation for system memory (type)
DATA	0000aaaa	aa0	address (H) high 4 bits of 11 bits address
	0aaaaaaa	aa1	address (L) low 7 bits of 11 bits address
	0ddddddd	dd	data
	:	:	: continuous address data
EOX	11110111	F7	End Of Exclusive

Parameter Change (bit operation for type 0x49:system memory)

STATUS	11110000	F0	System Exclusive Message
ID No.	01000011	43	Manufacturer's ID No. (YAMAHA)
SUB STATUS	0001nnnn	1n	parameter change n=0-15 (Device Channel No.1-16)
MODEL ID	00111101	3d	MODEL ID
PARAM TYPE	01001000	48	bit operation for system memory (type)
DATA	0000aaaa	aa0	address (H) high 4 bits of 11 bits address
	0aaaaaaa	aa1	address (L) low 7 bits of 11 bits address
	0ddddddd	dd	data (bit 0-2:address offset, bit3:0=reset 1=set, bit4-6:change bit0-6)
	:	:	
EOX	11110111	F7	End Of Exclusive

Used to change the recall safe, etc., in bits.

Parameter Request (type 0x08:edit buffer, 0x09:system memory)

STATUS	11110000	F0	System Exclusive Message
ID No.	01000011	43	Manufacturer's ID No. (YAMAHA)
SUB STATUS	0011nnnn	3n	parameter request n=0-15 (Device Channel No.1-16)
MODEL ID	00111101	3d	MODEL ID
PARAM TYPE	00tttttt	tt	08:edit buffer, 09:system memory (type)
DATA	0000aaaa	aa0	address (H) high 4 bits of 11 bits address
	0aaaaaaa	aa1	address (L) low 7 bits of 11 bits address
	00000000	dd	count (max 0x1f)
EOX	11110111	F7	End Of Exclusive

Parameter Change (type 0x0a:function call)

library recall

STATUS	11110000	F0	System Exclusive Message
ID No.	01000011	43	Manufacturer's ID No. (YAMAHA)
SUB STATUS	0001nnnn	1n	parameter change n=0-15 (Device Channel No.1-16)
MODEL ID	00111101	3d	MODEL ID
PARAM TYPE	00001010	0a	function call (type)
DATA	0ddddddd	dd0	function
	0ddddddd	dd1	number
	:	:	channel
EOX	11110111	F7	End Of Exclusive

Parameter Request (type 0x0a:function call)

STATUS	11110000	F0	System Exclusive Message
ID No.	01000011	43	Manufacturer's ID No. (YAMAHA)
SUB STATUS	0011nnnn	3n	parameter request n=0-15 (Device Channel No.1-16)
MODEL ID	00111101	3d	MODEL ID
PARAM TYPE	00001010	0a	function call (type)
DATA	0ddddddd	dd0	function
	0ddddddd	dd1	number
EOX	11110111	F7	End Of Exclusive

Parameter Change (type 0x4b:bit operation for controller (key))

STATUS	11110000	F0	System Exclusive Message
ID No.	01000011	43	Manufacturer's ID No. (YAMAHA)
SUB STATUS	0001nnnn	1n	parameter change n=0-15 (Device Channel No.1-16)
MODEL ID	00111101	3d	MODEL ID
PARAM TYPE	01001011	4b	controller (type)
DATA	0000dddd	dd0	No. 0-9:key 1-10
	0ddddd	ddd1	data (bit 0-2:address offset, bit3:0=release 1=push, bit4-6:change bit0-7)
EOX	11110111	F7	End Of Exclusive

key number table

	bit0	bit1	bit2	bit3	bit4	bit5	bit6	bit7
key1	ON1	ON2	ON3	ON4	ON5	ON6	ON7	ON8
key2	ON9	ON10	ON11	ON12	ON13	ON14	ON15	ON16
key3	SEL1	SEL2	SEL3	SEL4	SEL5	SEL6	SEL7	SEL8
key4	SEL9	SEL10	SEL11	SEL12	SEL13	SEL14	SEL15	SEL16
key5	STI SEL	RTN SEL	STO SEL	STI ON	RTN ON	STO ON		
key6	FADER	EFF1	EFF2	AUX1	AUX2	AUX3	AUX4	LAYER
key7	USER1	USER2	USER3	USER4		SOLO	AUTOMIX	REMOTE
key8	MEM UP	STORE	RECALL	MEM	UNDO	SCENE	UTIL	MIDI
key9	UP	LEFT	RIGHT	DOWN	ENTER	DIO	GROUP	CUE
key10	EQ L	EQ LM	EQ HM	EQ H	DELAY	DYNA	PAN	VIEW

5. Bulk Dump & Request Format

How to get check sum, adding data from BYTE COUNT (LOW) to just before the CHECK SUM, multiplying -1 (2's complement), resetting MSB (bit7).
 check sum = (-sum) & 0x7F

Scene Memory Bulk Dump Format

STATUS	11110000	F0	System Exclusive Message
ID No.	01000011	43	Manufacturer's ID No. (YAMAHA)
SUB STATUS	0000nnnn	0n	n=0-15 (Device Channel No.1-16)
FORMAT No.	01111110	7E	Universal Bulk Dump
BYTE COUNT (HIGH)	00001011	0B	1498 (1488+10)bytes
BYTE COUNT (LOW)	01011010	5A	
	01001100	4C	'L'
	01001101	4D	'M'
	00100000	20	''
	00100000	20	''
	00111000	38	'8'
	01000010	42	'B'
	00110000	30	'0'
	00110011	33	'3'
DATA NAME	01001101	4D	'M'
	0mmmmmm	mm	m=0-50, 127 (Scene Memory No.0-50, edit buffer)
			Receive is effective 1-50, 127
DATA	0ddddd	ds	Scene Memory (1488bytes)
	:	:	
	0ddddd	de	
CHECK SUM	0eeeeeee	ee	ee=(-('L'+M'+...+ds+...+de)) AND 7Fh
EOX	11110111	F7	End Of Exclusive

Scene Memory Bulk Dump Request Format

STATUS	11110000	F0	System Exclusive Message
ID No.	01000011	43	Manufacturer's ID (YAMAHA)
SUB STATUS	0010nnnn	2n	n=0-15 (Device Channel No.1-16)
FORMAT No.	01111110	7E	Universal Bulk Dump
	01001100	4C	'L'
	01001101	4D	'M'
	00100000	20	''
	00100000	20	''
	00111000	38	'8'
	01000010	42	'B'
	00110000	30	'0'
	00110011	33	'3'
DATA NAME	01001101	4D	'M'
	0mmmmmm	mm	m=0-50, 127 (Scene Memory No.0-50, edit buffer)
EOX	11110111	F7	End Of Exclusive

Equalizer Library Bulk Dump Format

STATUS	11110000	F0	System Exclusive Message
ID No.	01000011	43	Manufacturer's ID No. (YAMAHA)
SUB STATUS	0000nnnn	0n	n=0-15 (Device Channel No.1-16)
FORMAT No.	01111110	7E	Universal Bulk Dump
BYTE COUNT (HIGH)	00000000	00	34 (24+10)bytes
BYTE COUNT (LOW)	00100010	22	
	01001100	4C	'L'
	01001101	4D	'M'
	00100000	20	''
	00100000	20	''
	00111000	38	'8'
	01000010	42	'B'
	00110000	30	'0'
	00110011	33	'3'
DATA NAME	01010001	51	'Q'
	0mmmmmm	mm	m=0-79 (Equalizer Library No.1-80)
			Receive is effective 40-79
DATA	0ddddd	ds	Equalizer Library Memory (24bytes)
	:	:	
	0ddddd	de	
CHECK SUM	0eeeeeee	ee	ee=(-('L'+M'+...+ds+...+de)) AND 7Fh
EOX	11110111	F7	End Of Exclusive

Equalizer Library Bulk Dump Request Format

STATUS	11110000	F0	System Exclusive Message
ID No.	01000011	43	Manufacturer's ID (YAMAHA)
SUB STATUS	0000nnnn	0n	n=0-15 (Device Channel No.1-16)
FORMAT No.	01111110	7E	Universal Bulk Dump
	01001100	4C	'L'
	01001101	4D	'M'
	00100000	20	''
	00100000	20	''
	00111000	38	'8'
	01000010	42	'B'
	00110000	30	'0'
	00110011	33	'3'
DATA NAME	01010001	51	'Q'
	0mmmmmm	mm	m=0-79 (Equalizer Library No.1-80)
EOX	11110111	F7	End Of Exclusive

Dynamics Library Bulk Dump Format

STATUS	11110000	F0	System Exclusive Message
ID No.	01000011	43	Manufacturer's ID No. (YAMAHA)
SUB STATUS	0000nnnn	0n	n=0-15 (Device Channel No.1-16)
FORMAT No.	01111110	7E	Universal Bulk Dump
BYTE COUNT (HIGH)	00000000	00	30 (20+10)bytes
BYTE COUNT (LOW)	00011110	1e	
	01001100	4C	'L'
	01001101	4D	'M'
	00100000	20	''
	00100000	20	''
	00111000	38	'8'
	01000010	42	'B'
	00110000	30	'0'
	00110011	33	'3'
DATA NAME	01011001	59	'Y'
	0mmmmmm	mm	m=0-79 (Dynamics Library No.1-80)
			Receive is effective 40-79
DATA	0ddddd	ds	Dynamics Library Memory (20bytes)
	:	:	
	0ddddd	de	
CHECK SUM	0eeeeeee	ee	ee=(-('L'+M'+...+ds+...+de)) AND 7Fh
EOX	11110111	F7	End Of Exclusive

Dynamics Library Bulk Dump Request Format

STATUS	11110000	F0	System Exclusive Message
ID No.	01000011	43	Manufacturer's ID (YAMAHA)
SUB STATUS	0000nnnn	0n	n=0-15 (Device Channel No.1-16)
FORMAT No.	01111110	7E	Universal Bulk Dump
	01001100	4C	'L'
	01001101	4D	'M'
	00100000	20	''
	00100000	20	''
	00111000	38	'8'
	01000010	42	'B'
	00110000	30	'0'
	00110011	33	'3'
DATA NAME	01011001	59	'Y'
	0mmmmmm	mm	m=0-79 (Dynamics Library No.1-80)
EOX	11110111	F7	End Of Exclusive

Effect Library Bulk Dump Format

```

STATUS          11110000 F0 System Exclusive Message
ID No.          01000011 43 Manufacturer's ID No. (YAMAHA)
SUB STATUS      0000nnnn 0n n=0-15 (Device Channel No.1-16)
FORMAT No.     01111110 7E Universal Bulk Dump
BYTE COUNT (HIGH) 00000000 00 55 (45+10)bytes
BYTE COUNT (LOW) 00110111 37
                01001100 4C 'L'
                01001101 4D 'M'
                00100000 20 ''
                00100000 20 ''
                00111000 38 '8'
                01000010 42 'B'
                00110000 30 '0'
                00110011 33 '3'
DATA NAME      01000101 45 'E'
                0mmmmmmmm mm m=0-95 (Effect Library No.1-96)
                Receive is effective 64-95
DATA           0ddddddd ds Effect Library Memory (45bytes)
                :
                :
                0ddddddd de
CHECK SUM      0eeeeeee ee ee=(-('L'+ 'M'+...+ds+...+de)) AND 7Fh
EOX           11110111 F7 End Of Exclusive

```

Effect Library Bulk Dump Request Format

```

STATUS          11110000 F0 System Exclusive Message
ID No.          01000011 43 Manufacturer's ID (YAMAHA)
SUB STATUS      0000nnnn 0n n=0-15 (Device Channel No.1-16)
FORMAT No.     01111110 7E Universal Bulk Dump
                01001100 4C 'L'
                01001101 4D 'M'
                00100000 20 ''
                00100000 20 ''
                00111000 38 '8'
                01000010 42 'B'
                00110000 30 '0'
                00110011 33 '3'
DATA NAME      01000101 45 'E'
                0mmmmmmmm mm m=0-95 (Effect Library No.1-96)
EOX           11110111 F7 End Of Exclusive

```

CH Library Bulk Dump Format

```

STATUS          11110000 F0 System Exclusive Message
ID No.          01000011 43 Manufacturer's ID No. (YAMAHA)
SUB STATUS      0000nnnn 0n n=0-15 (Device Channel No.1-16)
FORMAT No.     01111110 7E Universal Bulk Dump
BYTE COUNT (HIGH) 00000000 00 80 (70+10)bytes
BYTE COUNT (LOW) 01000100 44
                01001100 4C 'L'
                01001101 4D 'M'
                00100000 20 ''
                00100000 20 ''
                00111000 38 '8'
                01000010 42 'B'
                00110000 30 '0'
                00110011 33 '3'
DATA NAME      01001000 48 'H'
                0mmmmmmmm mm m=0-50 (CH Library No.0-50)
                Receive is effective 2-50
DATA           0ddddddd ds CH Library Memory (70 bytes)
                :
                :
                0ddddddd de
CHECK SUM      0eeeeeee ee ee=(-('L'+ 'M'+...+ds+...+de)) AND 7Fh
EOX           11110111 F7 End Of Exclusive

```

CH Library Bulk Dump Request Format

```

STATUS          11110000 F0 System Exclusive Message
ID No.          01000011 43 Manufacturer's ID (YAMAHA)
SUB STATUS      0000nnnn 0n n=0-15 (Device Channel No.1-16)
FORMAT No.     01111110 7E Universal Bulk Dump
                01001100 4C 'L'
                01001101 4D 'M'
                00100000 20 ''
                00100000 20 ''
                00111000 38 '8'
                01000010 42 'B'
                00110000 30 '0'
                00110011 33 '3'
DATA NAME      01001000 48 'H'
                0mmmmmmmm mm m=0-50 (CH Library No.1-50)
EOX           11110111 F7 End Of Exclusive

```

Program Change Assignment Table Bulk Dump Format

```

STATUS          11110000 F0 System Exclusive Message
ID No.          01000011 43 Manufacturer's ID No. (YAMAHA)
SUB STATUS      0000nnnn 0n n=0-15 (Device Channel No.1-16)
FORMAT No.     01111110 7E Universal Bulk Dump
BYTE COUNT (HIGH) 00000001 01 138 (128+10)bytes
BYTE COUNT (LOW) 00001010 0A
                01001100 4C 'L'
                01001101 4D 'M'
                00100000 20 ''
                00100000 20 ''
                00111000 38 '8'
                01000010 42 'B'
                00110000 30 '0'
                00110011 33 '3'
DATA NAME      01010000 50 'P'
                00100000 20 ''
DATA           0ddddddd ds Program Change Table (128bytes)
                :
                :
                0ddddddd de
CHECK SUM      0eeeeeee ee ee=(-('L'+ 'M'+...+ds+...+de)) AND 7Fh
EOX           11110111 F7 End Of Exclusive

```

Program Change Assignment Table Bulk Dump Request Format

```

STATUS          11110000 F0 System Exclusive Message
ID No.          01000011 43 Manufacturer's ID (YAMAHA)
SUB STATUS      0010nnnn 2n n=0-15 (Device Channel No.1-16)
FORMAT No.     01111110 7E Universal Bulk Dump
                01001100 4C 'L'
                01001101 4D 'M'
                00100000 20 ''
                00100000 20 ''
                00111000 38 '8'
                01000010 42 'B'
                00110000 30 '0'
                00110011 33 '3'
DATA NAME      01010000 50 'P'
                00100000 20 ''
EOX           11110111 F7 End Of Exclusive

```

Control Change Assignment Table Bulk Dump Format

```

STATUS          11110000 F0 System Exclusive Message
ID No.          01000011 43 Manufacturer's ID No. (YAMAHA)
SUB STATUS      0000nnnn 0n n=0-15 (Device Channel No.1-16)
FORMAT No.     01111110 7E Universal Bulk Dump
BYTE COUNT (HIGH) 00000001 01 238 (228+10)bytes
BYTE COUNT (LOW) 01101110 6E
                01001100 4C 'L'
                01001101 4D 'M'
                00100000 20 ''
                00100000 20 ''
                00111000 38 '8'
                01000010 42 'B'
                00110000 30 '0'
                00110011 33 '3'
DATA NAME      01000011 43 'C'
                00100000 20 ''
DATA           0ddddddd ds Control Change Table (114x2bytes)
                :
                :
                0ddddddd de
CHECK SUM      0eeeeeee ee ee=(-('L'+ 'M'+...+ds+...+de)) AND 7Fh
EOX           11110111 F7 End Of Exclusive

```

Control Change Assignment Table Bulk Dump Request Format

```

STATUS      11110000 F0 System Exclusive Message
ID No.      01000011 43 Manufacturer's ID (YAMAHA)
SUB STATUS  0010nnnn 2n n=0-15 (Device Channel No.1-16)
FORMAT No.  01111110 7E Universal Bulk Dump
              01001100 4C 'L'
              01001101 4D 'M'
              00100000 20 ''
              00100000 20 ''
              00111000 38 '8'
              01000010 42 'B'
              00110000 30 '0'
              00110011 33 '3'
DATA NAME   01000011 43 'C'
              00100000 20 ''
EOX         11110111 F7 End Of Exclusive
    
```

Setup Memory Bulk Dump Format

```

STATUS      11110000 F0 System Exclusive Message
ID No.      01000011 43 Manufacturer's ID No. (YAMAHA)
SUB STATUS  0000nnnn 0n n=0-15 (Device Channel No.1-16)
FORMAT No.  01111110 7E Universal Bulk Dump
BYTE        368
COUNT (HIGH) 000000 (358+10) bytes
10 02
BYTE COUNT (LOW) 01110000 70
              01001100 4C 'L'
              01001101 4D 'M'
              00100000 20 ''
              00100000 20 ''
              00111000 38 '8'
              01000010 42 'B'
              00110000 30 '0'
              00110011 33 '3'
DATA NAME   01010011 53 'S'
              00100000 20 ''
DATA        0ddddd ds Setup Memory (358bytes)
              :
              :
              0ddddd de
CHECK SUM   0eeeeeee ee ee=(-('L'+M'+...+ds+...+de)) AND 7Fh
EOX         11110111 F7 End Of Exclusive
    
```

Setup Memory Bulk Dump Request Format

```

STATUS      11110000 F0 System Exclusive Message
ID No.      01000011 43 Manufacturer's ID (YAMAHA)
SUB STATUS  0010nnnn 2n n=0-15 (Device Channel No.1-16)
FORMAT No.  01111110 7E Universal Bulk Dump
              01001100 4C 'L'
              01001101 4D 'M'
              00100000 20 ''
              00100000 20 ''
              00111000 38 '8'
              01000010 42 'B'
              00110000 30 '0'
              00110011 33 '3'
DATA NAME   01010011 53 'S'
              00100000 20 ''
EOX         11110111 F7 End Of Exclusive
    
```

Automix Memory Bulk Dump Format

(One bulk out is transmitted by each 1K block)

```

STATUS      11110000 F0 System Exclusive Message
ID No.      01000011 43 Manufacturer's ID No. (YAMAHA)
SUB STATUS  0000nnnn 0n n=0-15 (Device Channel No.1-16)
FORMAT No.  01111110 7E Universal Bulk Dump
BYTE COUNT (HIGH) 00001010 0A 1290 (1280+10)bytes
BYTE COUNT (LOW) 00001010 0A
              01001100 4C 'L'
              01001101 4D 'M'
              00100000 20 ''
              00100000 20 ''
              00111000 38 '8'
              01000010 42 'B'
              00110000 30 '0'
              00110011 33 '3'
DATA NAME   01000001 41 'A'
              0nnnnnnnn mm m=0-3, 127 (Automix Memory No.1-4,
              current)
DATA        0ddddd ds Automix Memory (1280bytes)
              :
              :
              0ddddd de
CHECK SUM   0eeeeeee ee ee=(-('L'+M'+...+ds+...+de)) AND 7Fh
EOX         11110111 F7 End Of Exclusive
    
```

Automix Memory Bulk Dump Request Format

```

STATUS      11110000 F0 System Exclusive Message
ID No.      01000011 43 Manufacturer's ID (YAMAHA)
SUB STATUS  0010nnnn 2n n=0-15 (Device Channel No.1-16)
FORMAT No.  01111110 7E Universal Bulk Dump
              01001100 4C 'L'
              01001101 4D 'M'
              00100000 20 ''
              00100000 20 ''
              00111000 38 '8'
              01000010 42 'B'
              00110000 30 '0'
              00110011 33 '3'
DATA NAME   01000001 41 'A'
              0nnnnnnnn mm m=0-3, 127 (Automix Memory No.1-4,
              current)
EOX         11110111 F7 End Of Exclusive
    
```

MIDI Remote Bulk Dump Format

```

STATUS      11110000 F0 System Exclusive Message
ID No.      01000011 43 Manufacturer's ID No. (YAMAHA)
SUB STATUS  0000nnnn 0n n=0-15 (Device Channel No.1-16)
FORMAT No.  01111110 7E Universal Bulk Dump
BYTE COUNT (HIGH) 00001010 0A 1320 (1310+10)bytes
BYTE COUNT (LOW) 00101000 28
              01001100 4C 'L'
              01001101 4D 'M'
              00100000 20 ''
              00100000 20 ''
              00111000 38 '8'
              01000010 42 'B'
              00110000 30 '0'
              00110011 33 '3'
DATA NAME   01010100 54 'R'
              0nnnnnnnn mm m=0-3 (MIDI Remote No.1-4)
DATA        0ddddd ds MIDI Remote (1310bytes)
              :
              :
              0ddddd de
CHECK SUM   0eeeeeee ee ee=(-('L'+M'+...+ds+...+de)) AND 7Fh
EOX         11110111 F7 End Of Exclusive
    
```

MIDI Remote Bulk Dump Request Format

STATUS	11110000	F0	System Exclusive Message
ID No.	01000011	43	Manufacturer's ID (YAMAHA)
SUB STATUS	0010nnnn	2n	n=0-15 (Device Channel No.1-16)
FORMAT No.	01111110	7E	Universal Bulk Dump
	01001100	4C	'L'
	01001101	4D	'M'
	00100000	20	''
	00100000	20	''
	00111000	38	'8'
	01000010	42	'B'
	00110000	30	'0'
	00110011	33	'3'
DATA NAME	01010100	54	'R'
	0mmmmmm	mm	m=0-3 (MIDI Remote No.1-4)
EOX	11110111	F7	End Of Exclusive

6. Parameter List For Control Change Assign

FADER	
CHANNEL	CH1-24, ST IN, RETURN1, RETURN2, MAS AUX1-4, MAS BUS1-4, MAS ST
EFF1 SEND	CH1-24, ST IN
EFF2 SEND	CH1-24, ST IN
AUX1 SEND	CH1-24, ST IN, RETURN1, RETURN2
AUX2 SEND	CH1-24, ST IN, RETURN1, RETURN2
AUX3 SEND	CH1-24, ST IN, RETURN1, RETURN2
AUX4 SEND	CH1-24, ST IN, RETURN1, RETURN2
BUS TO ST	1-4
ON	
CHANNEL	CH1-24, ST IN, RETURN1, RETURN2, MAS AUX1-4, MAS BUS1-4, MAS ST
BUS TO ST	1-4
PAN	
CHANNEL	CH1-24, ST IN L.R, RETURN1 L.R, RETURN2 L.R
AUX1, 2	CH1-24, ST IN L.R, RETURN1 L.R, RETURN2 L.R
AUX3,4	CH1-24, ST IN L.R, RETURN1 L.R, RETURN2 L.R
BUS TO ST	1-4
BALANCE	
	ST IN, RETURN1, RETURN2, MAS ST
SURROUND	
LR (LEFT,RIGHT)	CH1-24, ST IN L.R, RETURN1 L.R, RETURN2 L.R
FR (FRONT,REAR)	CH1-24, ST IN L.R, RETURN1 L.R, RETURN2 L.R
PHASE	
	CH1-24, ST IN L.R
PRE/POST	
EFF1 SEND	CH1-24, ST IN
EFF2 SEND	CH1-24, ST IN
AUX1 SEND	CH1-24, ST IN, RETURN1, RETURN2
AUX2 SEND	CH1-24, ST IN, RETURN1, RETURN2
AUX3 SEND	CH1-24, ST IN, RETURN1, RETURN2
AUX4 SEND	CH1-24, ST IN, RETURN1, RETURN2
BUS TO ST	1-4
ROUTING	
BUS1	CH1-24, ST IN, RETURN1, RETURN2
BUS2	CH1-24, ST IN, RETURN1, RETURN2
BUS3	CH1-24, ST IN, RETURN1, RETURN2
BUS4	CH1-24, ST IN, RETURN1, RETURN2
MAS ST	CH1-24, ST IN, RETURN1, RETURN2
YGDAL	1-8
DELAY	
ON	CH1-24, ST IN, MAS BUS1-4, MAS ST L.R
TYPE	CH1-24, ST IN
TIME HIGH	CH1-24, ST IN, MAS BUS1-4, MAS ST L.R
TIME LOW	CH1-24, ST IN, MAS BUS1-4, MAS ST L.R
MIX HIGH	CH1-24, ST IN
MIX LOW	CH1-24, ST IN
FB GAIN H	CH1-24, ST IN
FB GAIN L	CH1-24, ST IN

EQ	
ON	CH1-24, ST IN, RETURN1, RETURN2, MAS AUX1-4, MAS BUS1-4, MAS ST
F LOW	CH1-24, ST IN, RETURN1, RETURN2, MAS AUX1-4, MAS BUS1-4, MAS ST
G LOW	CH1-24, ST IN, RETURN1, RETURN2, MAS AUX1-4, MAS BUS1-4, MAS ST
Q LOW	CH1-24, ST IN, RETURN1, RETURN2, MAS AUX1-4, MAS BUS1-4, MAS ST
F L-MID	CH1-24, ST IN, RETURN1, RETURN2, MAS AUX1-4, MAS BUS1-4, MAS ST
G L-MID	CH1-24, ST IN, RETURN1, RETURN2, MAS AUX1-4, MAS BUS1-4, MAS ST
Q L-MID	CH1-24, ST IN, RETURN1, RETURN2, MAS AUX1-4, MAS BUS1-4, MAS ST
F H-MID	CH1-24, ST IN, RETURN1, RETURN2, MAS AUX1-4, MAS BUS1-4, MAS ST
G H-MID	CH1-24, ST IN, RETURN1, RETURN2, MAS AUX1-4, MAS BUS1-4, MAS ST
Q H-MID	CH1-24, ST IN, RETURN1, RETURN2, MAS AUX1-4, MAS BUS1-4, MAS ST
F HIGH	CH1-24, ST IN, RETURN1, RETURN2, MAS AUX1-4, MAS BUS1-4, MAS ST
G HIGH	CH1-24, ST IN, RETURN1, RETURN2, MAS AUX1-4, MAS BUS1-4, MAS ST
Q HIGH	CH1-24, ST IN, RETURN1, RETURN2, MAS AUX1-4, MAS BUS1-4, MAS ST
ATT	CH1-24, ST IN
DYNAMICS	
ON	CH1-24, ST IN, RETURN1, RETURN2, MAS AUX1-4, MAS BUS1-4, MAS ST
KEYIN	CH1-24, ST IN, RETURN1, RETURN2, MAS AUX1-4, MAS BUS1-4, MAS ST
RATIO/H_H(HOLD HIGH)	CH1-24, ST IN, RETURN1, RETURN2, MAS AUX1-4, MAS BUS1-4, MAS ST
KNE/H_L/W(KNEE/HOLD LOW/WIDTH)	CH1-24, ST IN, RETURN1, RETURN2, MAS AUX1-4, MAS BUS1-4, MAS ST
THRESHOLD	CH1-24, ST IN, RETURN1, RETURN2, MAS AUX1-4, MAS BUS1-4, MAS ST
ATTACK	CH1-24, ST IN, RETURN1, RETURN2, MAS AUX1-4, MAS BUS1-4, MAS ST
G/RANGE(GAIN/RANGE)	CH1-24, ST IN, RETURN1, RETURN2, MAS AUX1-4, MAS BUS1-4, MAS ST
REL/DCY H(RELEASE/DECAY HIGH)	CH1-24, ST IN, RETURN1, RETURN2, MAS AUX1-4, MAS BUS1-4, MAS ST
REL/DCY L(RELEASE/DECAY LOW)	CH1-24, ST IN, RETURN1, RETURN2, MAS AUX1-4, MAS BUS1-4, MAS ST
EFFECT	
1 PARAM H	1-16
1 PARAM L	1-16
2 PARAM H	1-16
2 PARAM L	1-16
NO ASSIGN	

MIDI Implementation Chart

Function...		Transmitted	Recognized	Remarks
Basic Channel	Default Changed	1-16 1-16	1-16 1-16	Memorized
Mode	Default Messages Altered	X X *****	OMNI off/OMNI on X X	Memorized
Note Number	True Voice	37-44 *****	36-96 X	
Velocity	Note On Note Off	x9nH, v=127 x9nH, v=0	X X	
After Touch	Keys Ch's	X X	X X	
Pitch bend		X	X	
Control Change	0-95, 102-119	0	0	Assignable
Prog Change	:True#	0-127 *****	0-127 0-50	Assignable
System Exclusive		0	0	*1
System Common	:Song Pos :Song Sel :Tune	X X X	0 X X	
System Real Time	:Clock :Commands	X 0	0 0	
Aux Messages	:Local ON/OFF :All Notes OFF :Active Sense :Reset	X X 0 X	X X X X	
Notes	MTC quarter frame message is recognized *1: Bulk Dump/Request, Parameter Change/Request, and MMC. For MIDI Remote, ALL messages can be transmitted.			

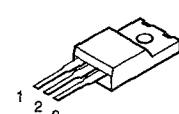
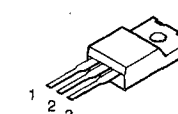


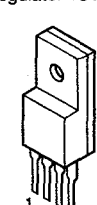
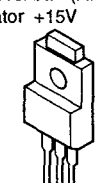
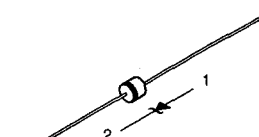
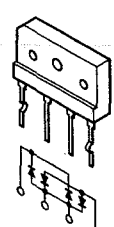
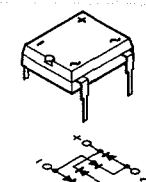

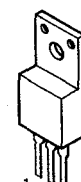
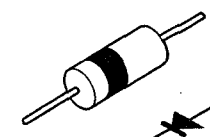
CIRCUIT DIAGRAMS CONTENTS (回路図目次)

CIRCUIT DIAGRAM (JK, SUB 2/2, PN and ENC)	C1
CIRCUIT DIAGRAM (SUB 1/2)	C2
CIRCUIT DIAGRAM (AC and DC)	C3
CIRCUIT DIAGRAM (FD)	C4
CIRCUIT DIAGRAM (MAIN 1/2-1)	C5
CIRCUIT DIAGRAM (MAIN 1/2-2)	C6
CIRCUIT DIAGRAM (MAIN 1/2-3)	C7
CIRCUIT DIAGRAM (MAIN 2/2)	C8
CIRCUIT DIAGRAM (MAIN 1/2-4)	C9
CIRCUIT DIAGRAM (DA)	C10
CIRCUIT DIAGRAM (AD 1/2 and AD 2/2)	C11
CIRCUIT DIAGRAM (AD 1/2)	C12

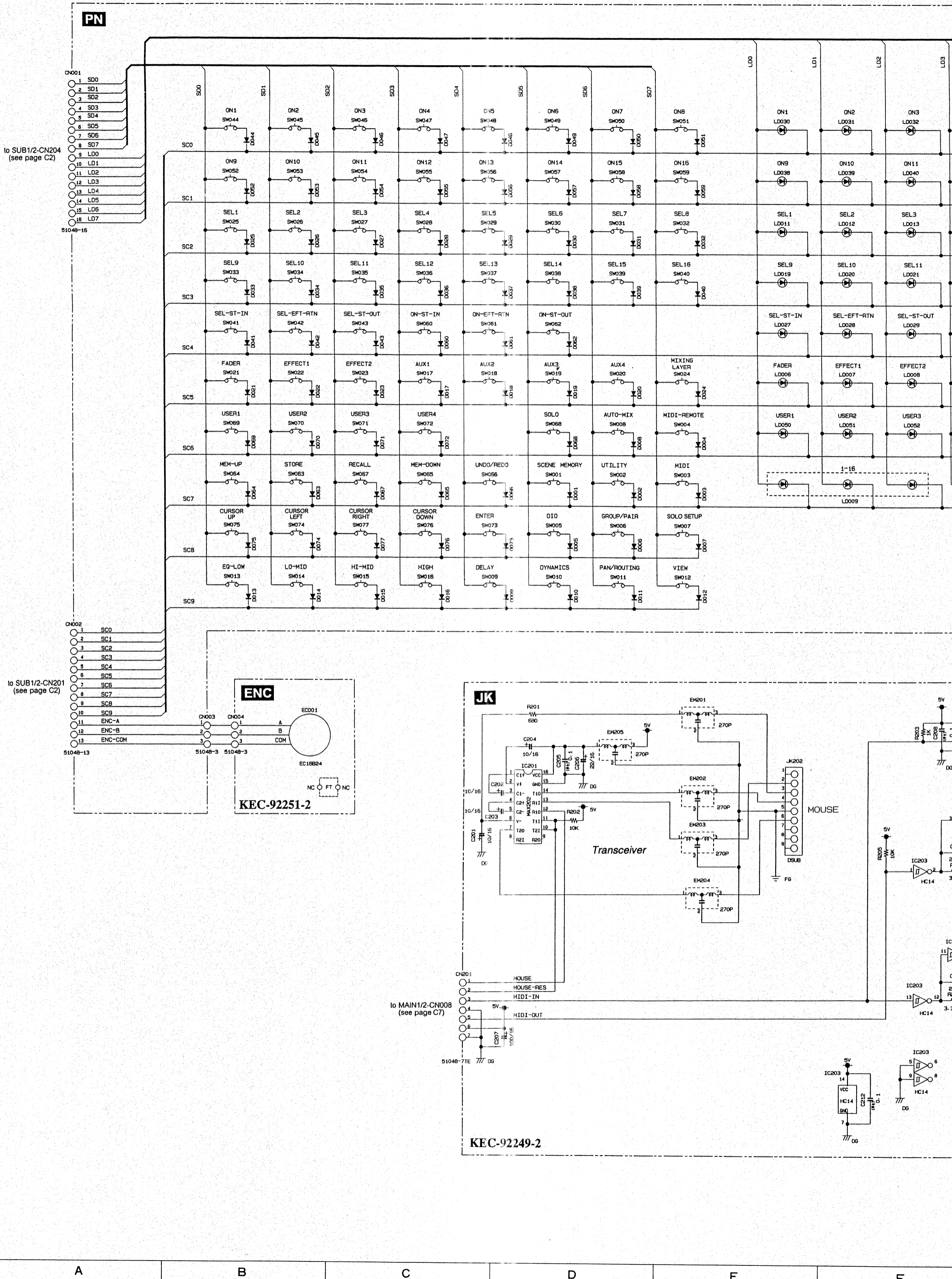
回路図内の標記説明

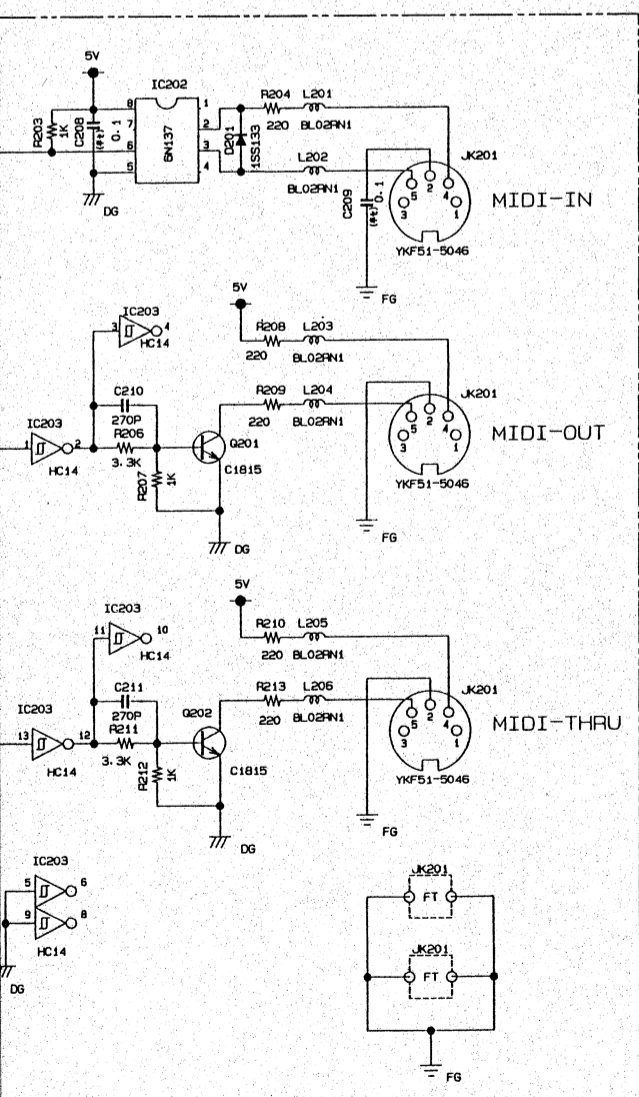
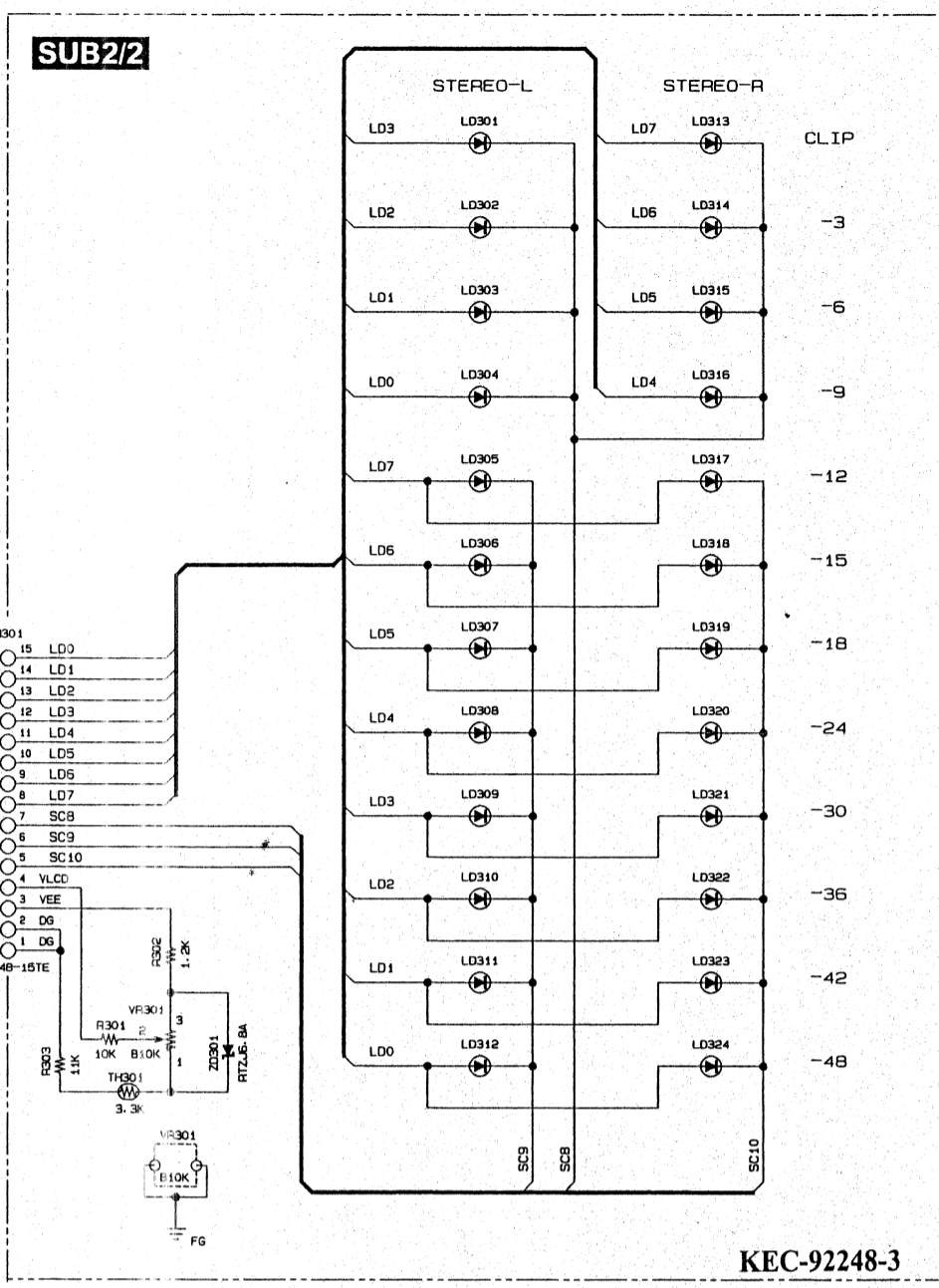
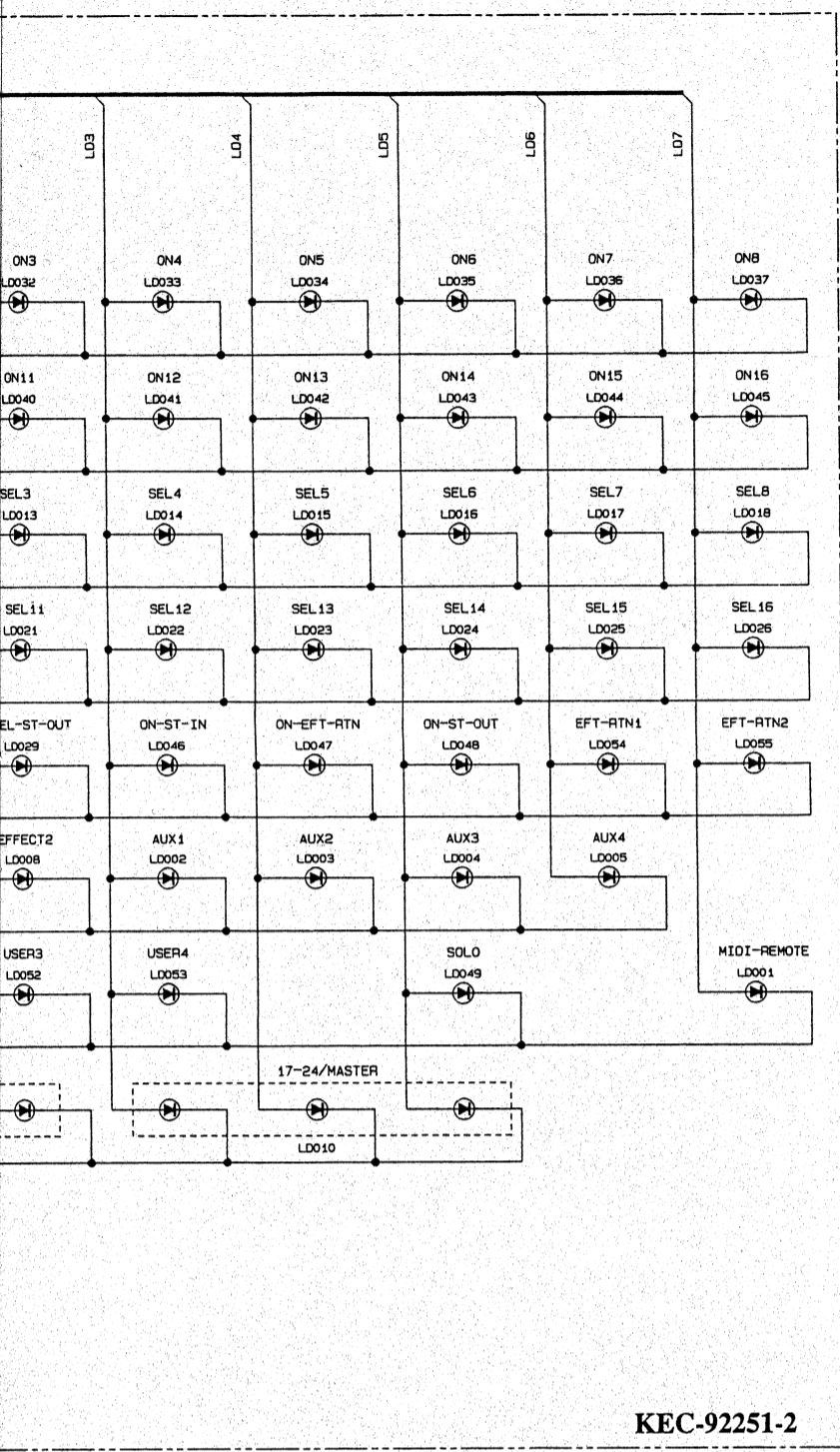
Note:

The number on the arrow in this circuit diagram shows the connected circuit diagram page.
回路図の矢印の中の番号は、接続先回路図のページを表わします。

<ul style="list-style-type: none"> •NJM78M10FA (XS08A00) Regulator +10V  <p>1: INPUT 2: GND 3: OUTPUT</p>	<ul style="list-style-type: none"> •NJM7915FA (XD854A00) Regulator -15V •NJM7905FA (XK309A00) Regulator -5V  <p>1: GND 2: INPUT 3: OUTPUT</p>	<ul style="list-style-type: none"> •NJM78L05A (XJ596A00) Regulator +5V  <p>1: OUTPUT 2: GND 3: INPUT</p>	<ul style="list-style-type: none"> •NJM79L24A (XS571A00) Regulator -24V  <p>1: GND 2: INPUT 3: OUTPUT</p>
<ul style="list-style-type: none"> •PQ05RF2 (XH672A00) Regulator +5V  <p>1: Vin 2: Vout 3: GND 4: Vc (ON/OFF)</p>	<ul style="list-style-type: none"> •UPC2405AHF (XR607A00) Regulator +5V •UPC2415AHF (XR608A00) Regulator +15V  <p>1: INPUT 2: GND 3: OUTPUT</p>	<ul style="list-style-type: none"> •MTZJ4. 3A 4.3V (VI241100) Zener Diode •MTZJ6. 2B 6.2V (VQ313100) Zener Diode •MTZJ6. 8B 6.8V (VQ553900) Zener Diode •MTZJ15B 15.0V (VQ556000) Zener Diode •MTZJ24B 24.0V (VQ557500) Zener Diode 	<ul style="list-style-type: none"> •MTZJ27B 27.0V (VQ557800) Zener Diode •MTZJ33B 33.0V (VQ558500) Zener Diode  <p>1: ANODE 2: CATHODE</p>
<ul style="list-style-type: none"> •D3SBA20 4.0A 200V (VT359600) Diode Stack •D6SB60L 6.0A 600V (VT682400) Diode Stack •D3SBA20 4.0A 200V (VT359600) Diode Stack 	<ul style="list-style-type: none"> •S1WB(A)60 1.0A 60 (VB845300) Diode Stack 		
<ul style="list-style-type: none"> •2SC1815 (IC1815M0) Transistor •2SA1015 (IA01590) Transistor •2SB647 (IB064730) Transistor •2SD667 (ID066700) Transistor •2SC3200 (VS150800) Transistor  <p>3: 1 2: 2 1: 3</p> <p>1: EMITTER 2: COLLECTOR 3: BASE</p>	<ul style="list-style-type: none"> •2SD2015 (VM923000) Transistor  <p>1: 1 2: 2 3: 3</p> <p>1: EMITTER 2: COLLECTOR 3: BASE</p>	<ul style="list-style-type: none"> •11ES4 (VB481900) Diode 	

CIRCUIT DIAGRAM (JK, SUB 2/2, PN and ENC)





2

3

4

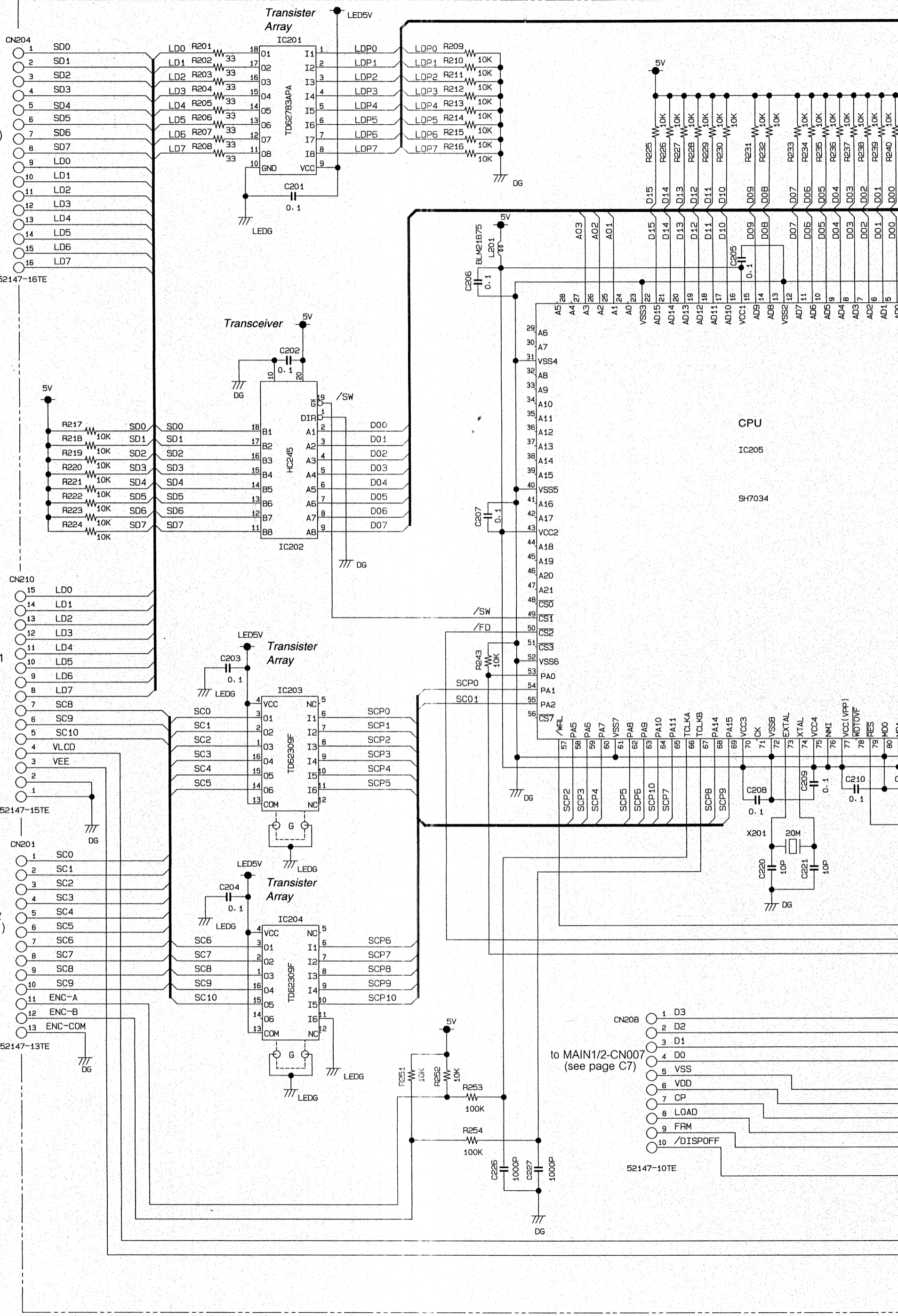
5

6

7

8

CIRCUIT DIAGRAM (SUB 1/2)



to PN-CN001
(see page C1)

to SUB2/2-CN301
(see page C1)

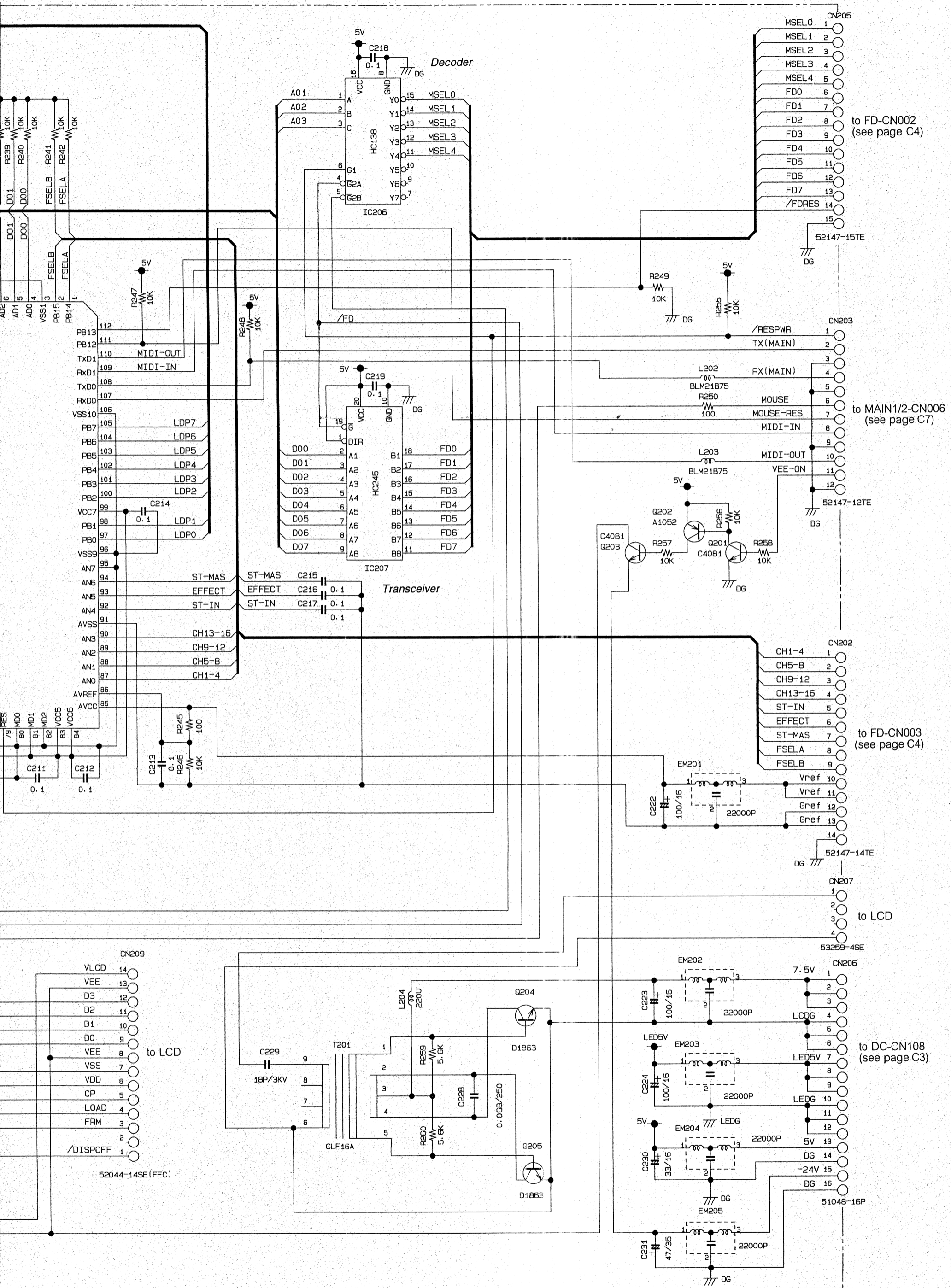
to PN-CN002
(see page C1)

to MAIN1/2-CN007
(see page C7)

CPU
IC205
SH7034

1
2
3
4
5
6
7
8

A B C D E F



to FD-CN002 (see page C4)

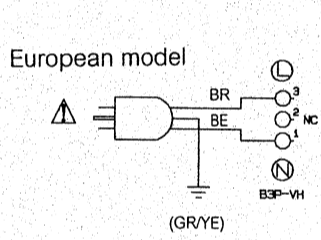
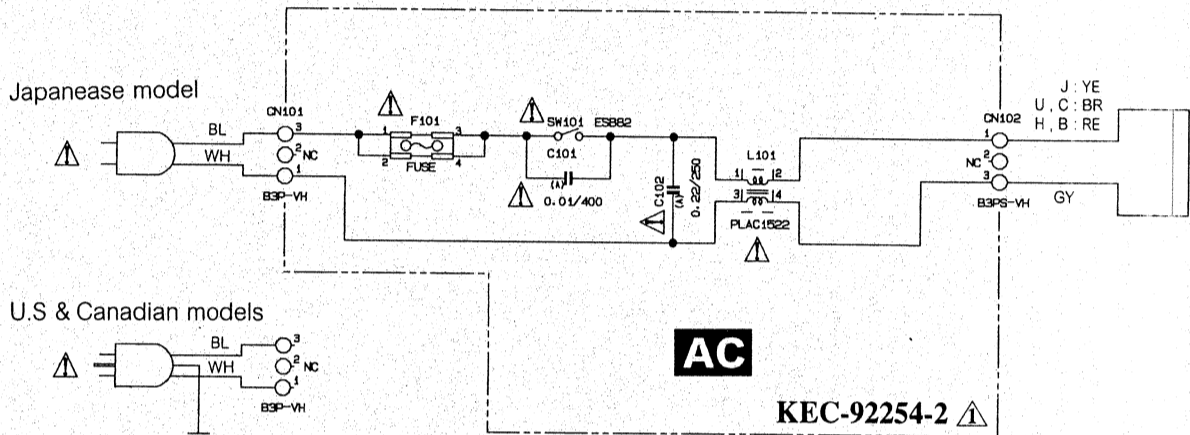
to MAIN1/2-CN006 (see page C7)

to FD-CN003 (see page C4)

to LCD

to DC-CN108 (see page C3)

CIRCUIT DIAGRAM (AC and DC)



- Notes)
- J: Japanese model
 - U,C: U.S and Canadian models
 - H: European model

※ AC circuit board

	F101
Japanese, U.S and Canadian models	6A 125V
European model	T3.15A L 250V

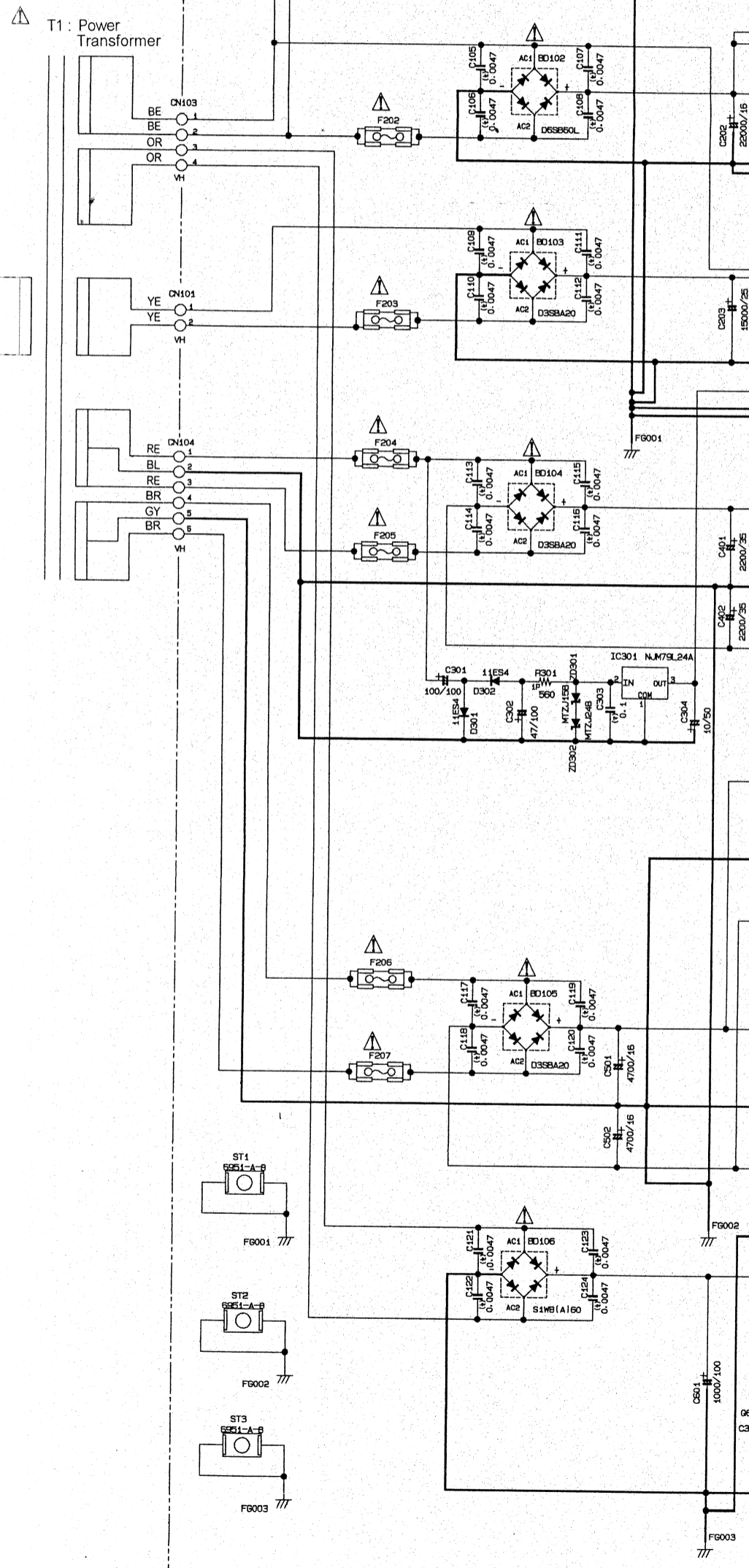
※ DC circuit board

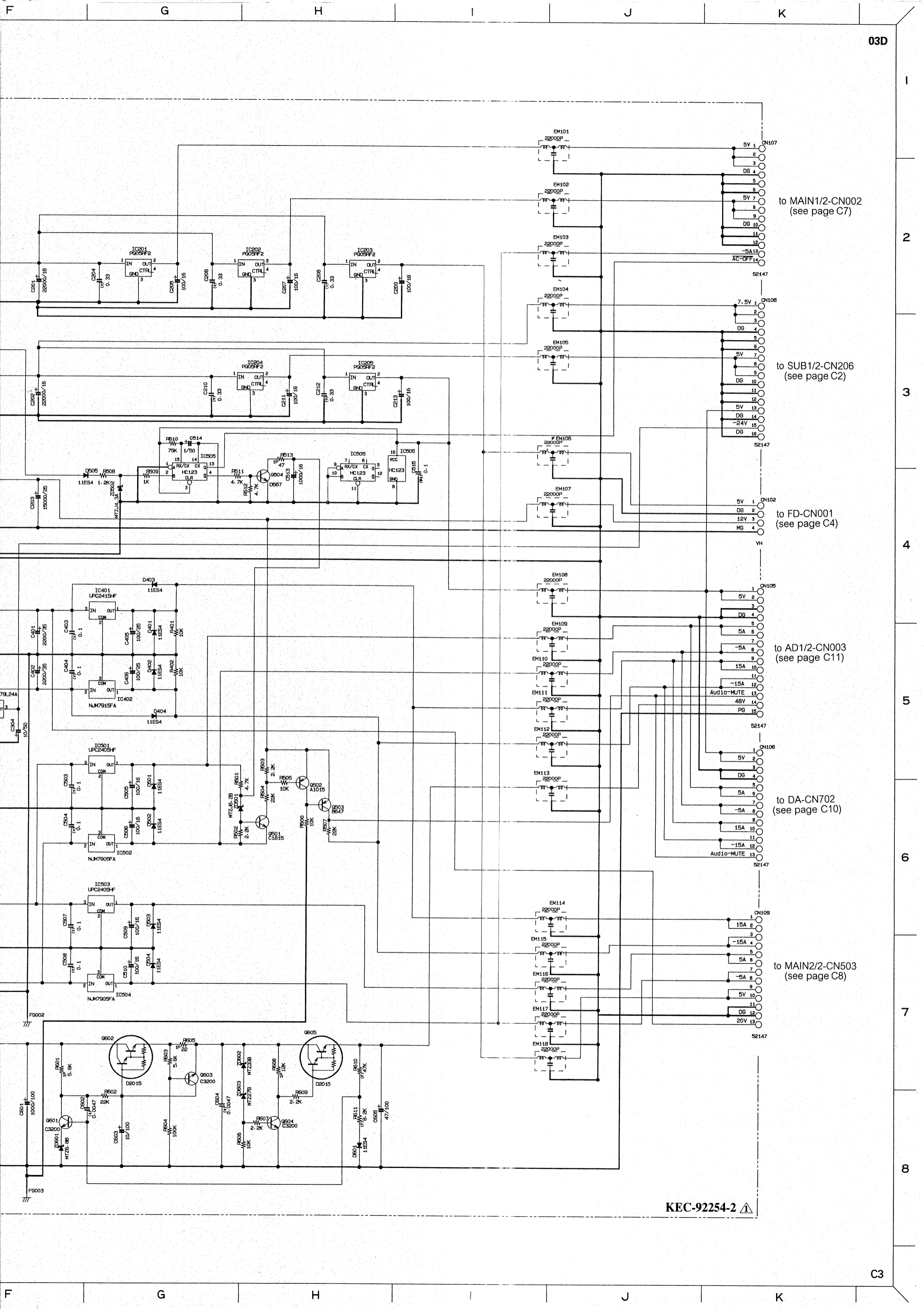
	F201	F202	F203
Japanese, U.S and Canadian models	5A 125V	5A 125V	5A 125V
European model	T5A L 250V	T5A L 250V	T5A L 250V

	F204	F205	F206	F207
Japanese, U.S and Canadian models	3A 250V	3A 250V	3A 250V	3A 250V
European model	T2.5A L 250V	T2.5A L 250V	T2.5A L 250V	T2.5A L 250V

※ Transformer T1

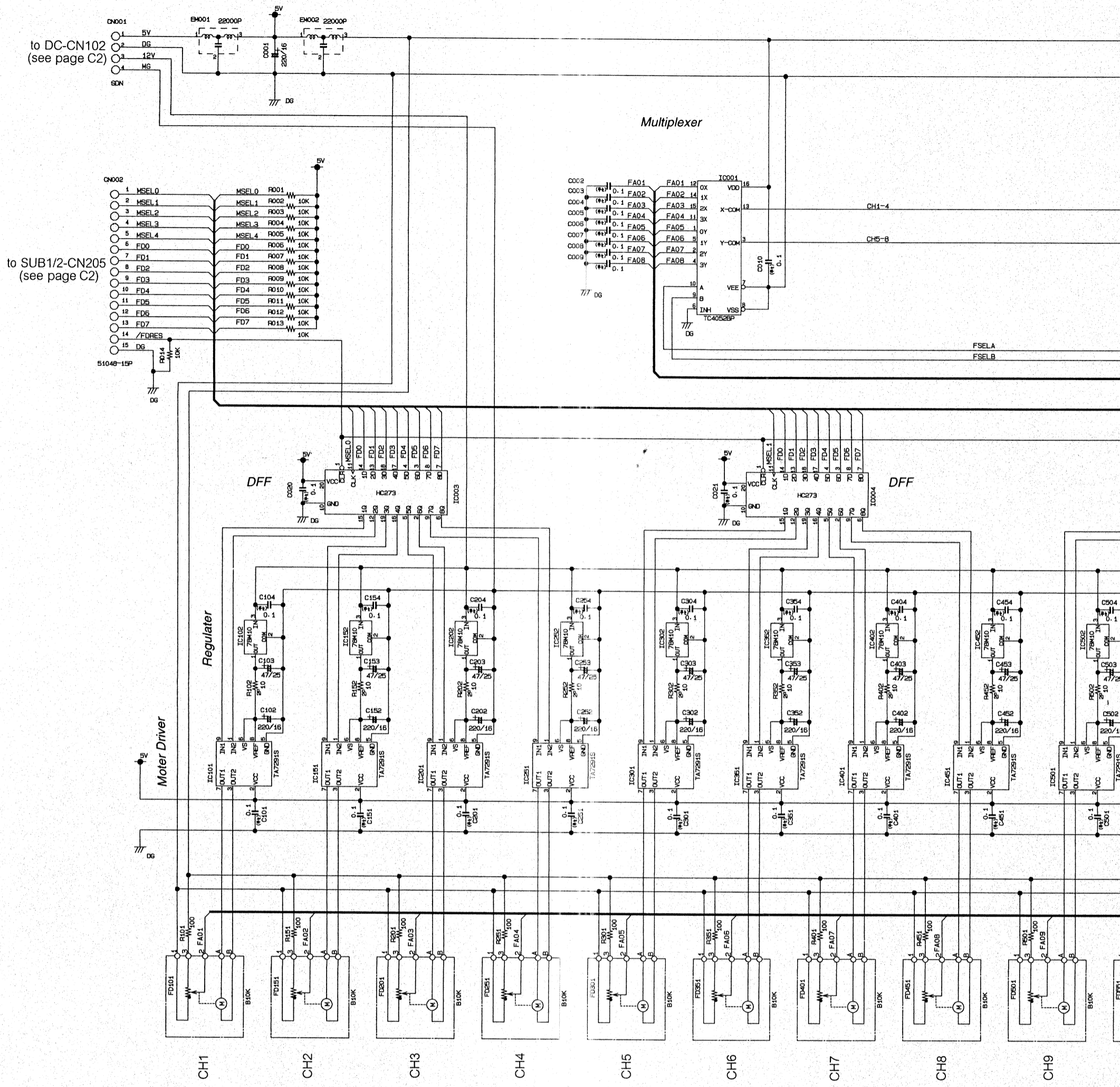
- Japanese model : XS011A00
- U.S and Canadian models : XS012A00
- European model : XS013A00

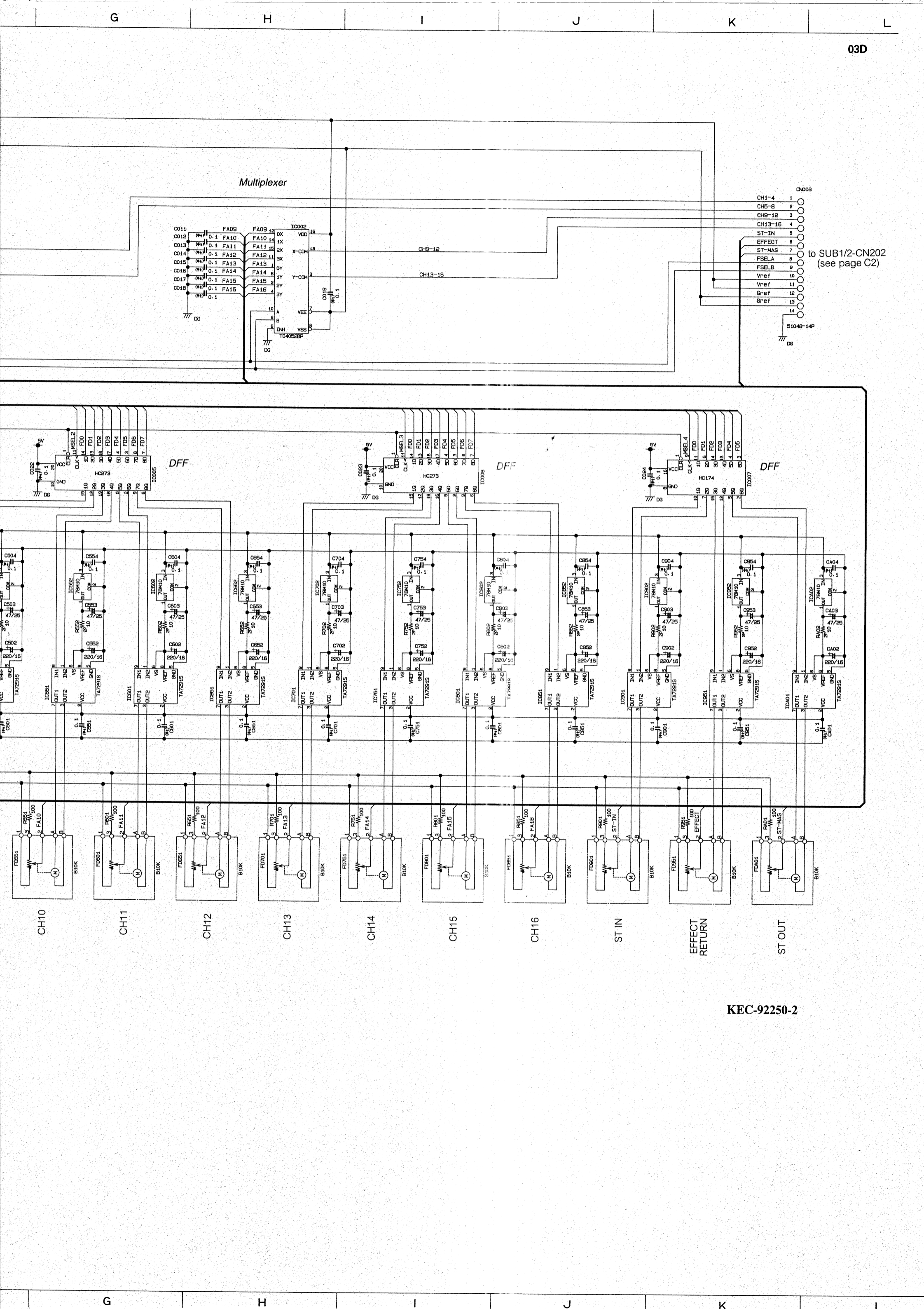




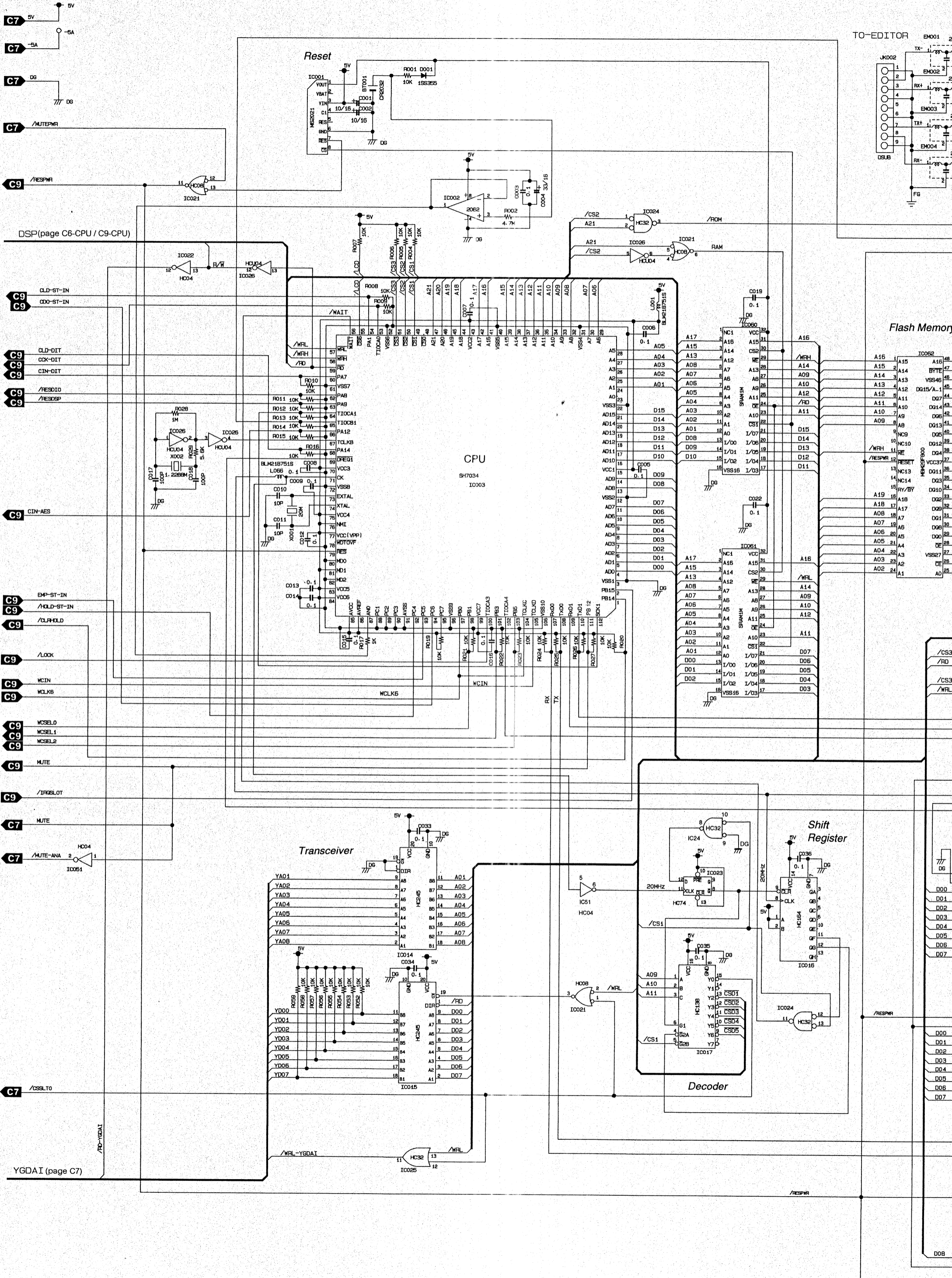
KEC-92254-2

CIRCUIT DIAGRAM (FD)



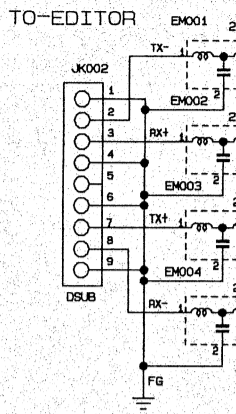


CIRCUIT DIAGRAM (MAIN 1/2-1)

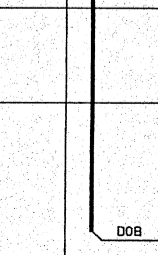
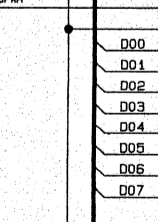
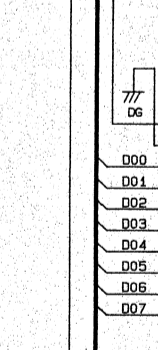
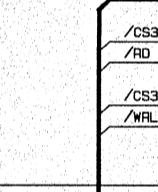
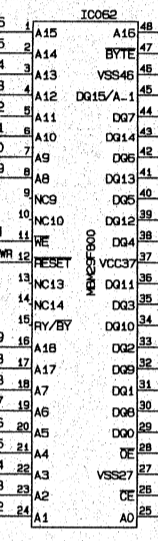


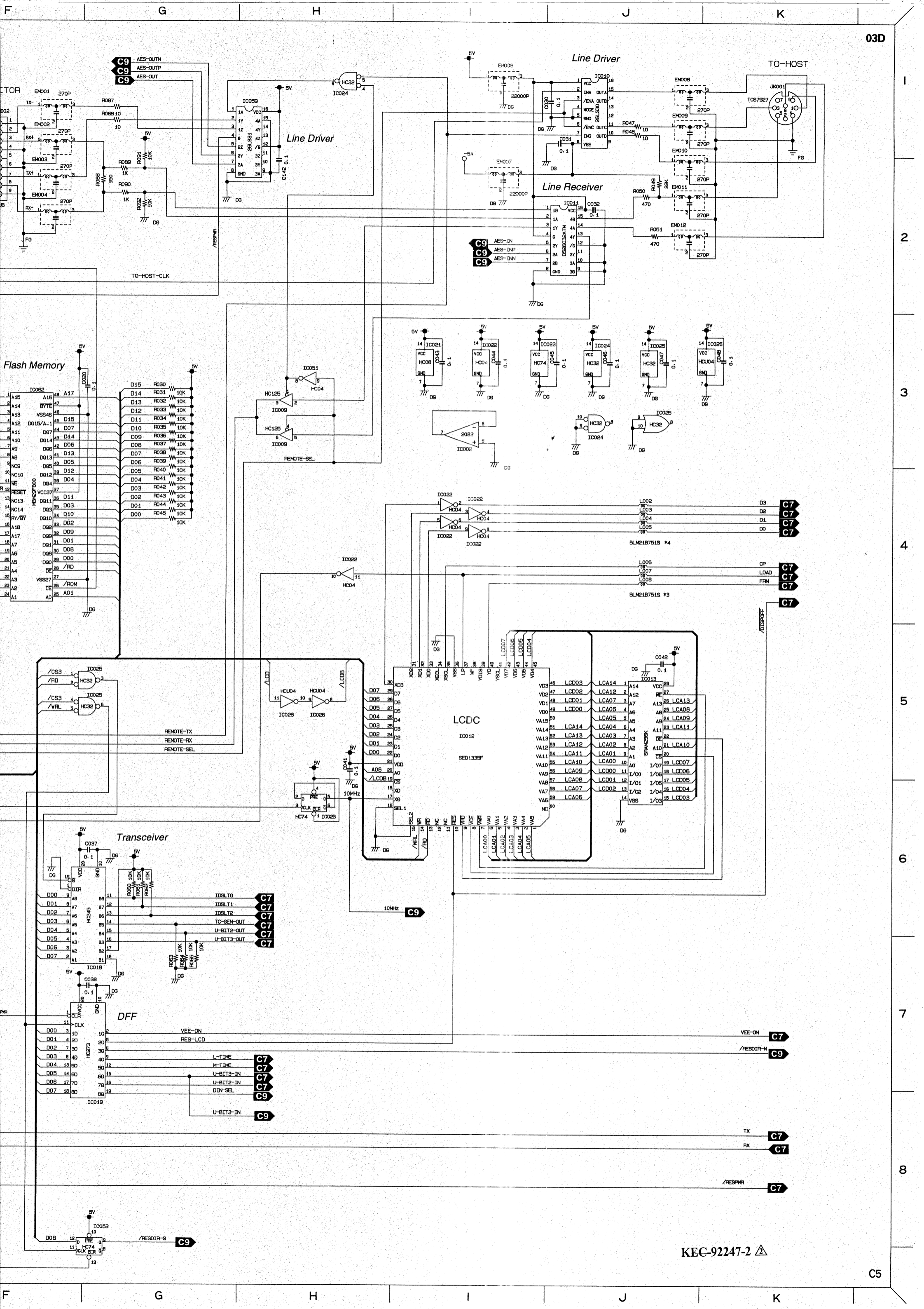
- C7 5V
- C7 -5A
- C7 D6
- C7 /MUTE
- C9 /RESP
- C9 CLD-ST-IN
- C9 COO-ST-IN
- C9 CLD-DIT
- C9 CCK-DIT
- C9 CIN-DIT
- C9 /RES10
- C9 /RES15
- C9 CIN-AES
- C9 EMP-ST-IN
- C9 /HOLD-ST-IN
- C9 /CLR-HOLD
- C9 /LOCK
- C9 MCIN
- C9 WCLK6
- C9 WSEL0
- C9 WSEL1
- C9 WSEL2
- C9 MUTE
- C9 /TRQSLOT
- C7 MUTE
- C7 /MUTE-ANA
- C7 /CSSL TO

YGDAI (page C7)

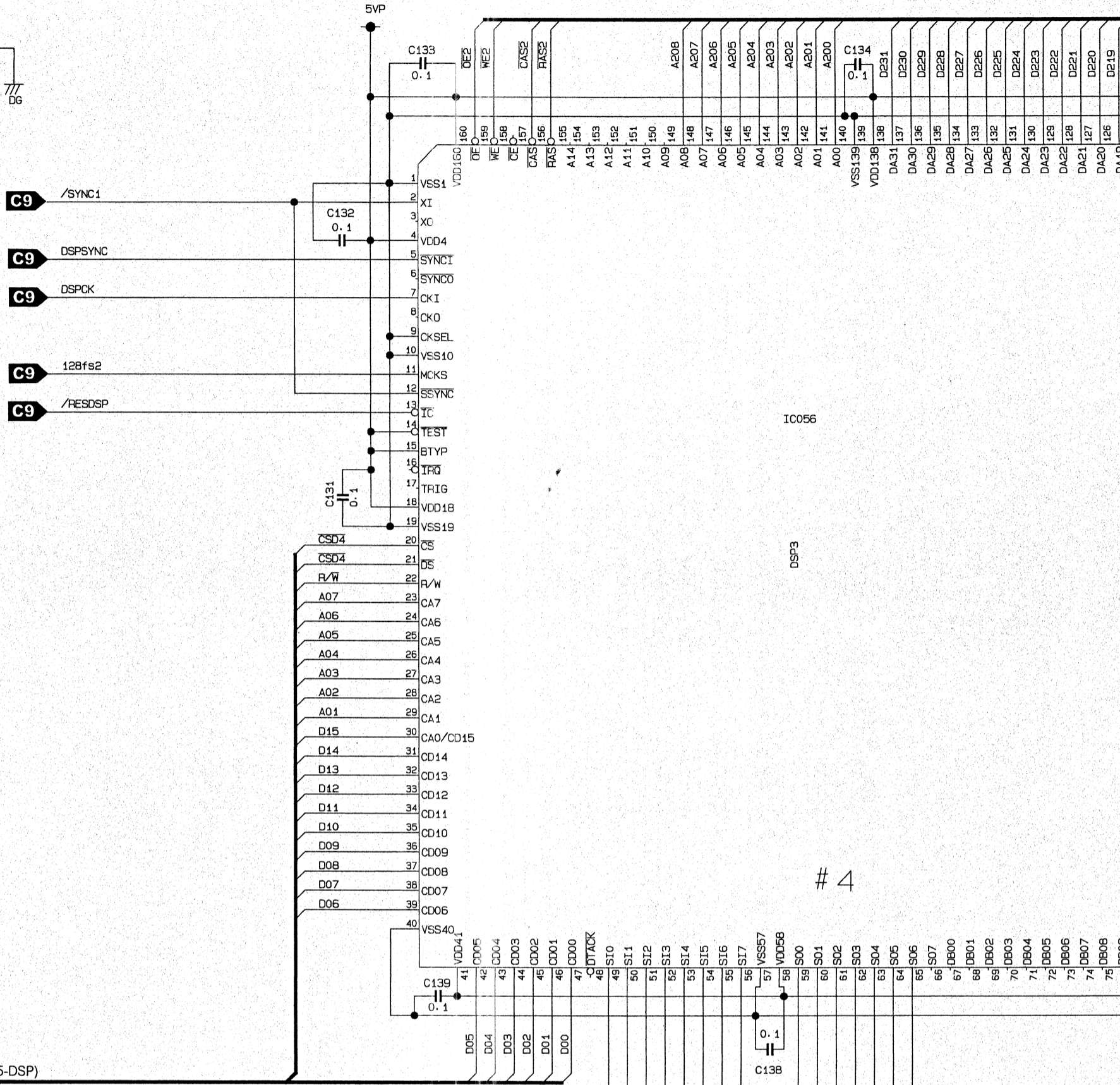
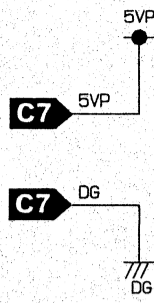


Flash Memory

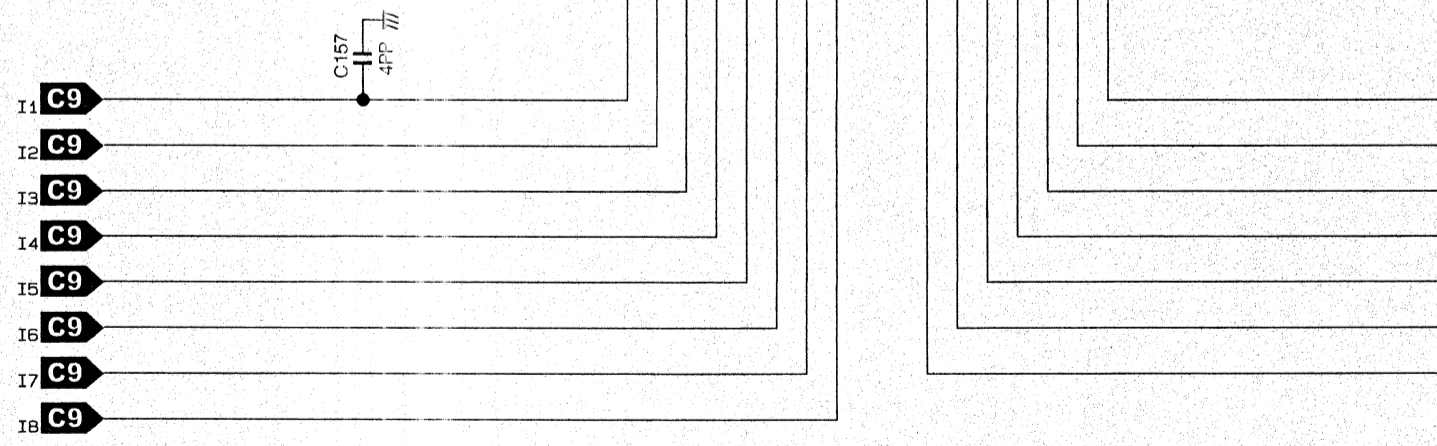




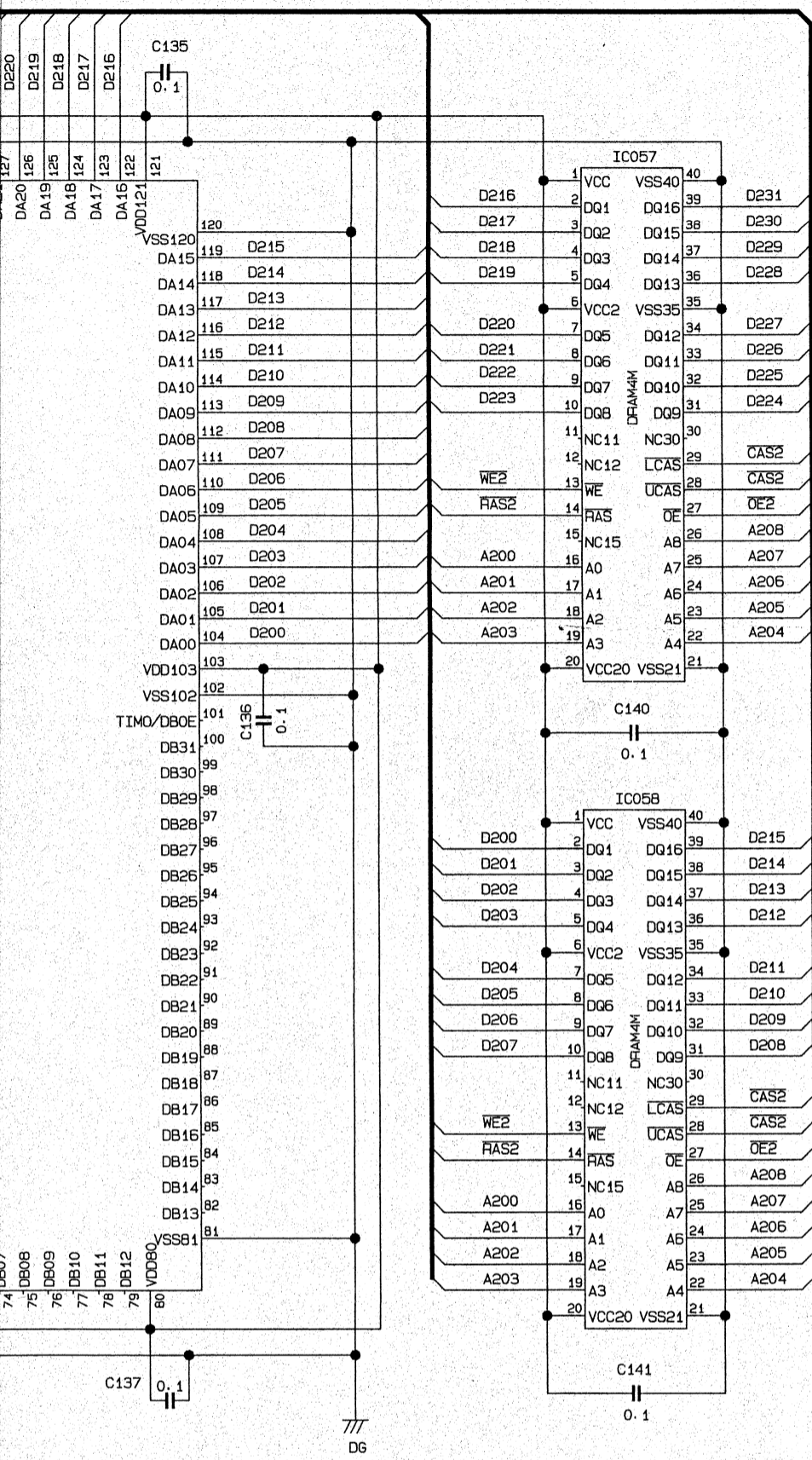
CIRCUIT DIAGRAM (MAIN 1/2-2)



CPU (page C5-DSP)

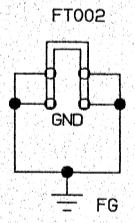
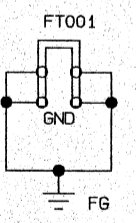
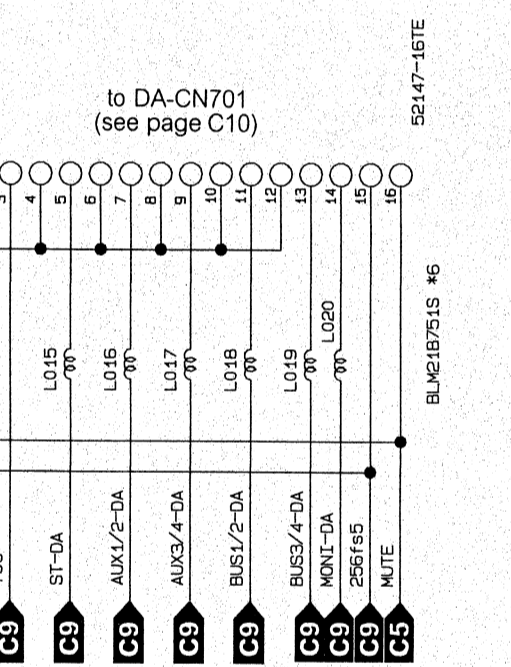
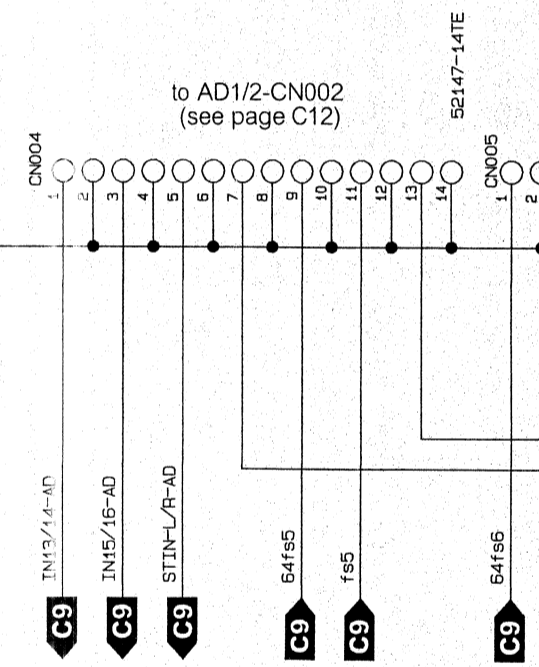
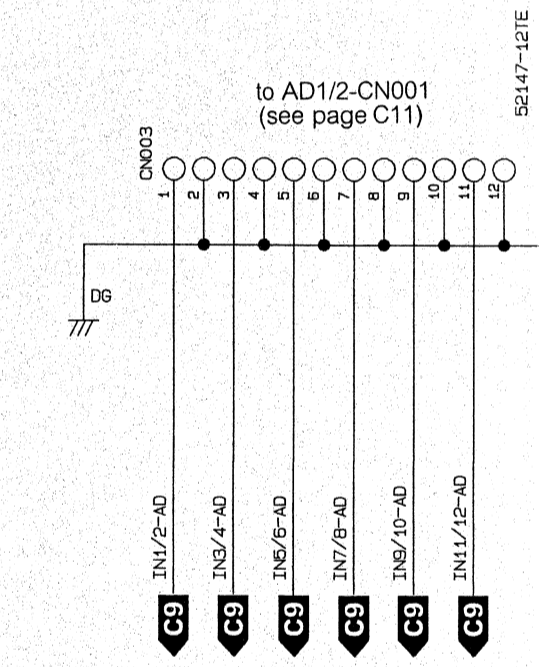
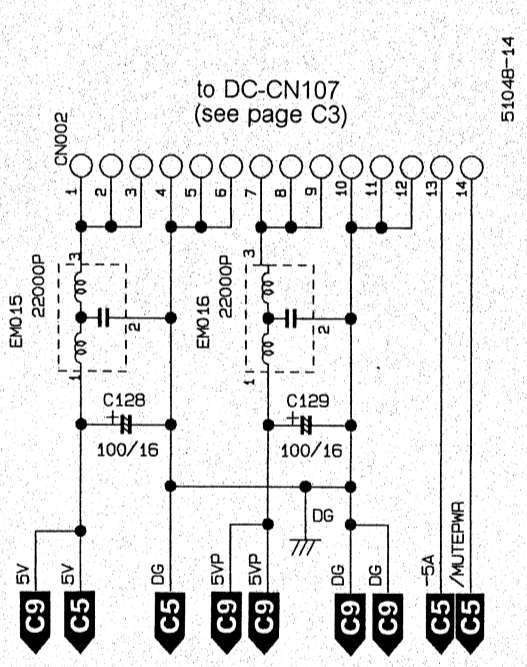
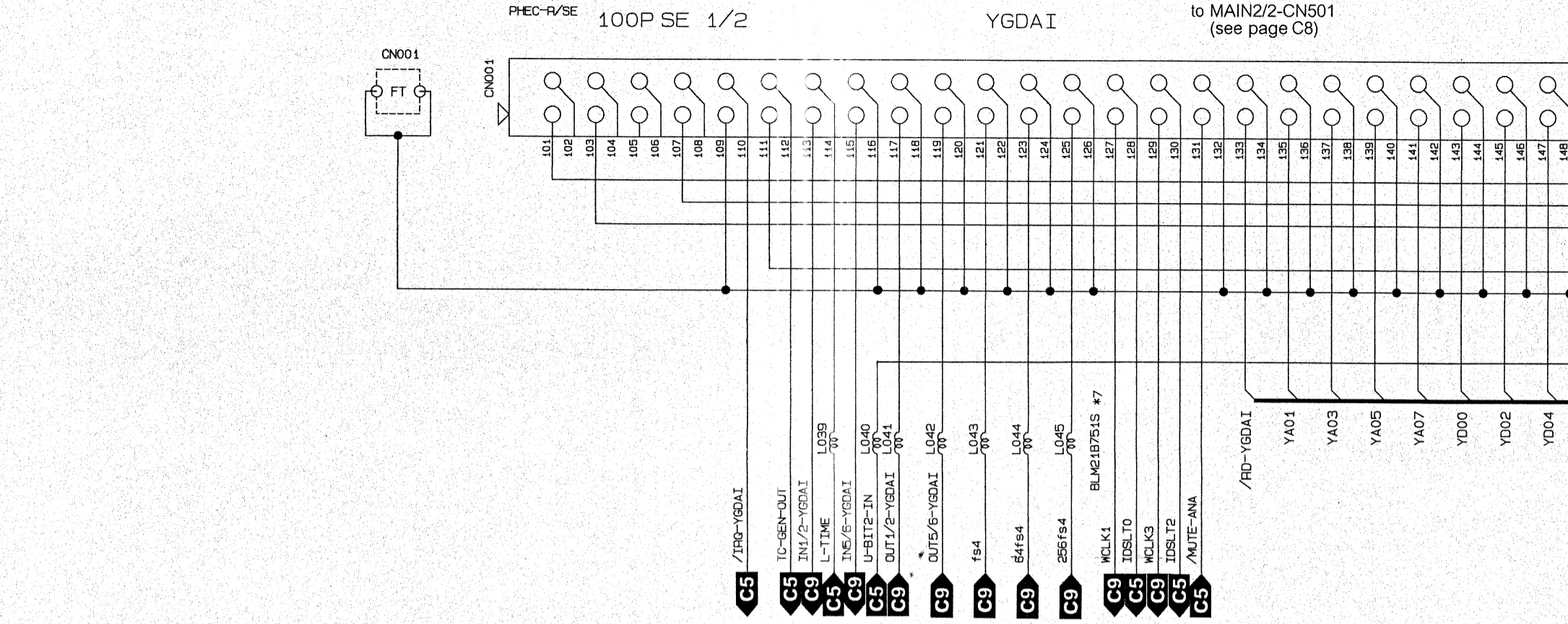


4



- C9 01
- C9 02
- C9 03
- C9 04
- C9 05
- C9 06
- C9 07

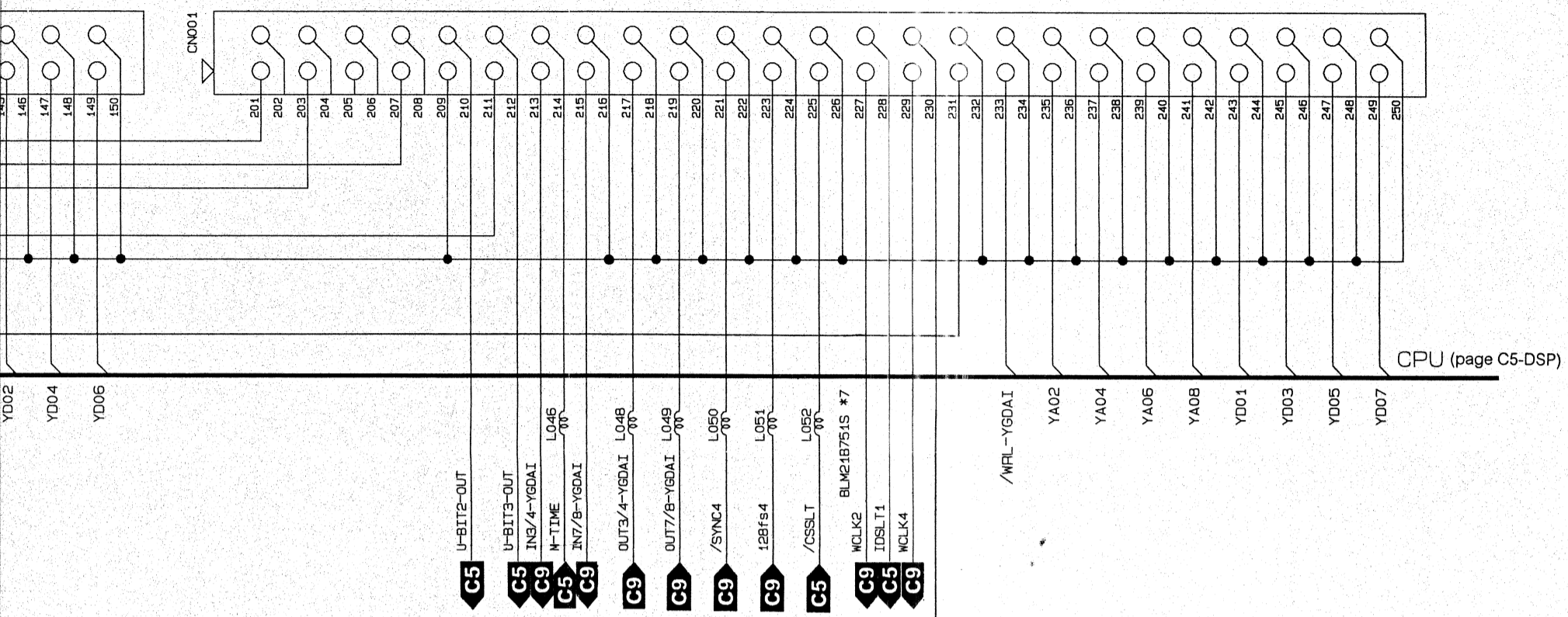
CIRCUIT DIAGRAM (MAIN 1/2-3)



PHEC-R/SE 100P SE 2/2

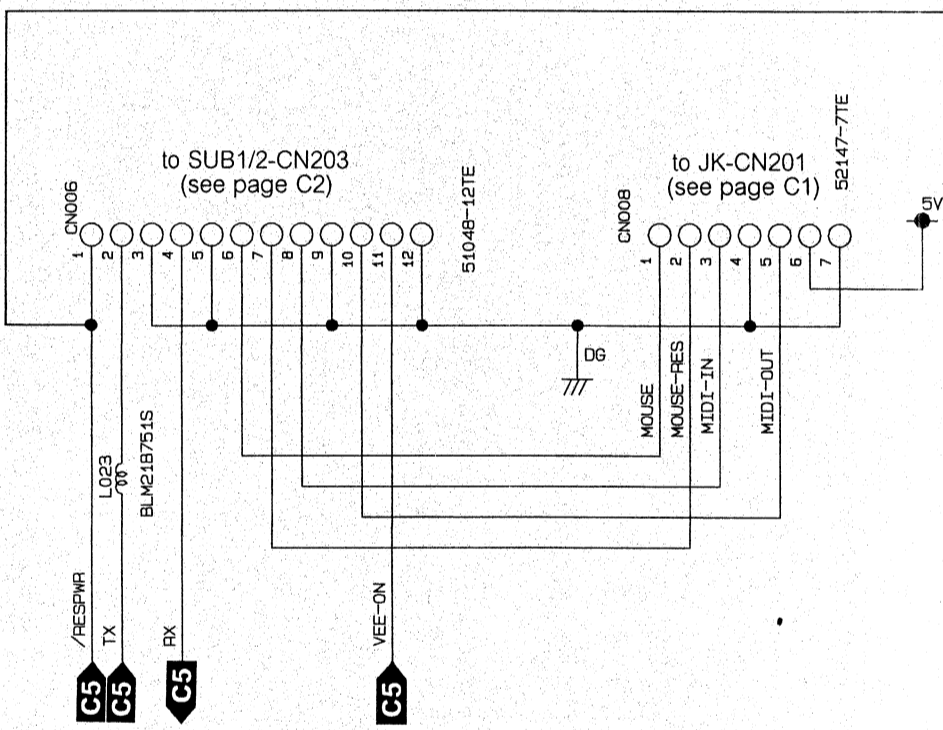
YGDAI

to MAIN2/2-CN501 (see page C8)

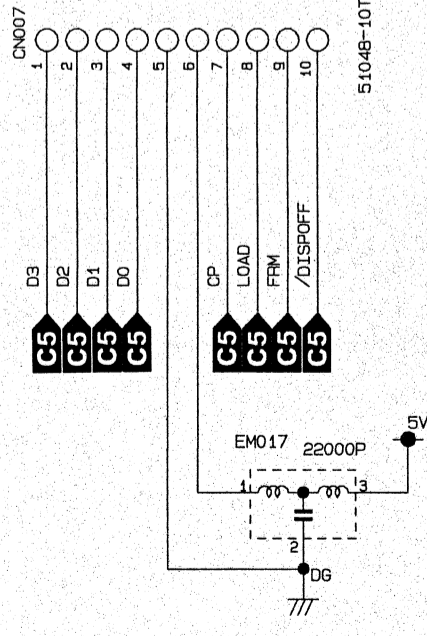


52147-16TE

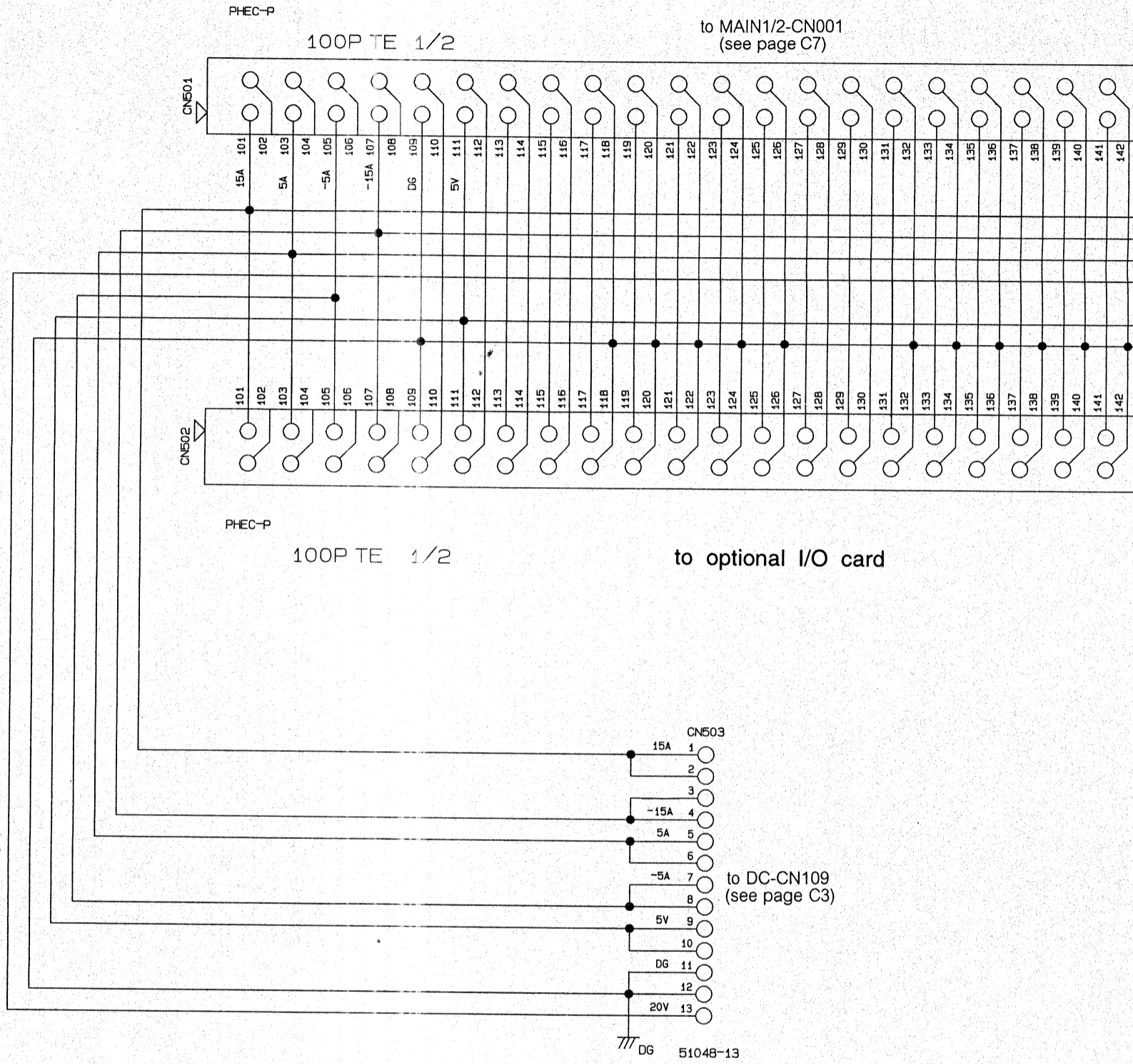
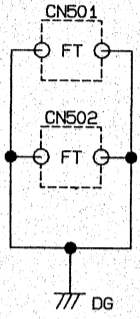
BLM21B751S *6

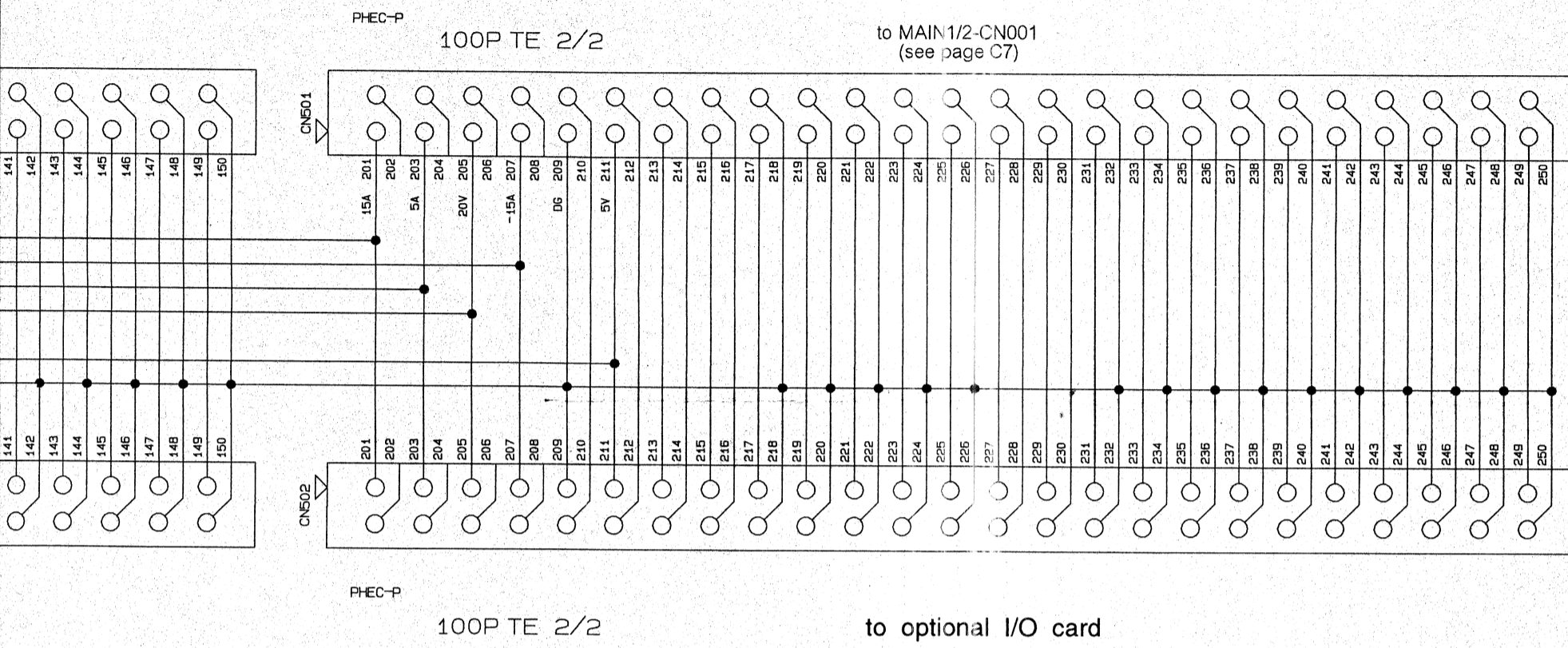


to SUB1/2-CN208 (see page C2)

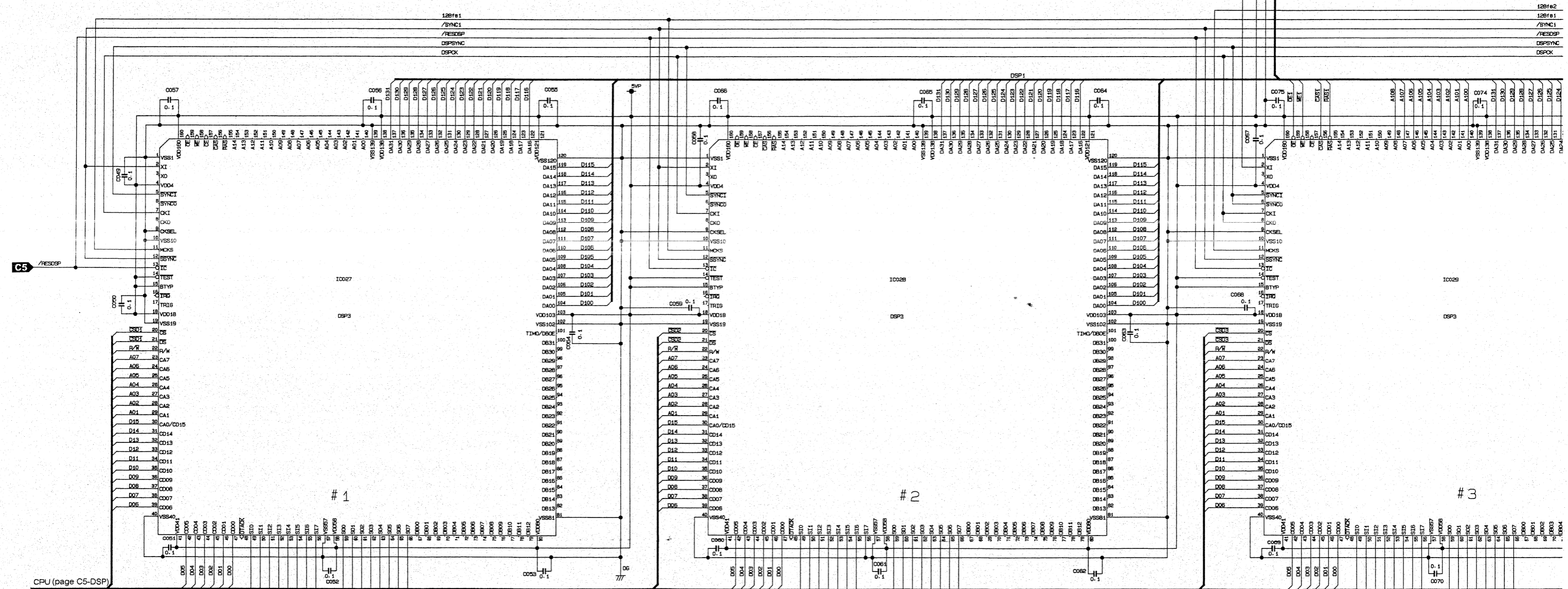
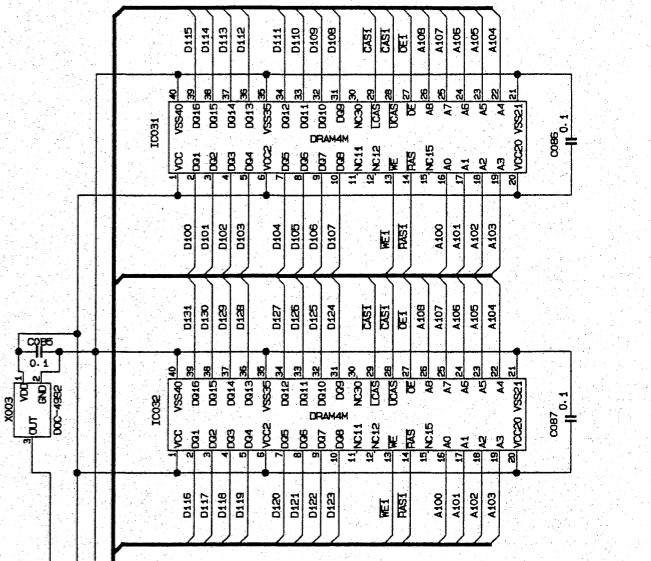
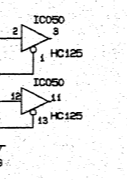
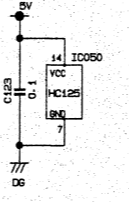
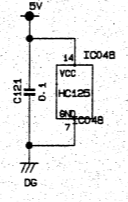
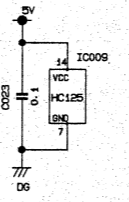
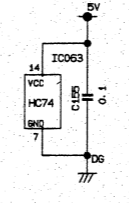
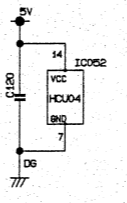
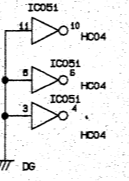
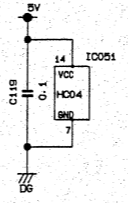
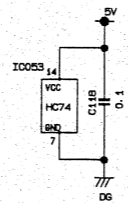
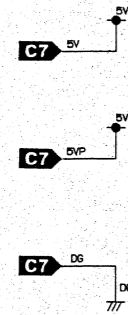


CIRCUIT DIAGRAM (MAIN 2/2)





CIRCUIT DIAGRAM (MAIN 1/2-4)



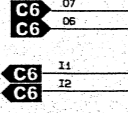
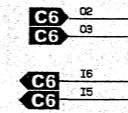
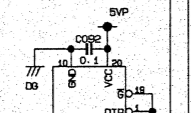
CPU (page C5-DSP)

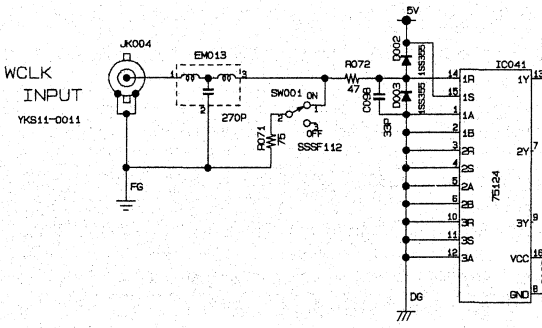
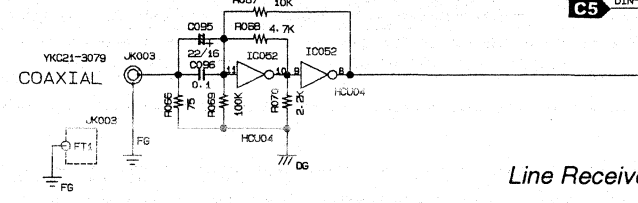
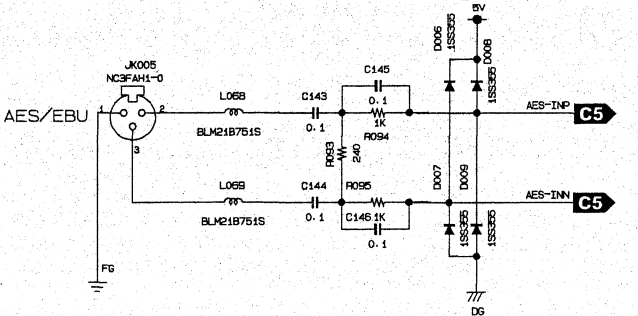
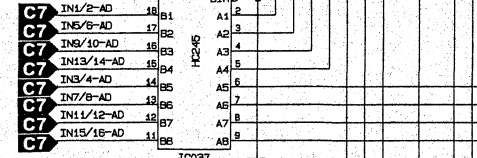
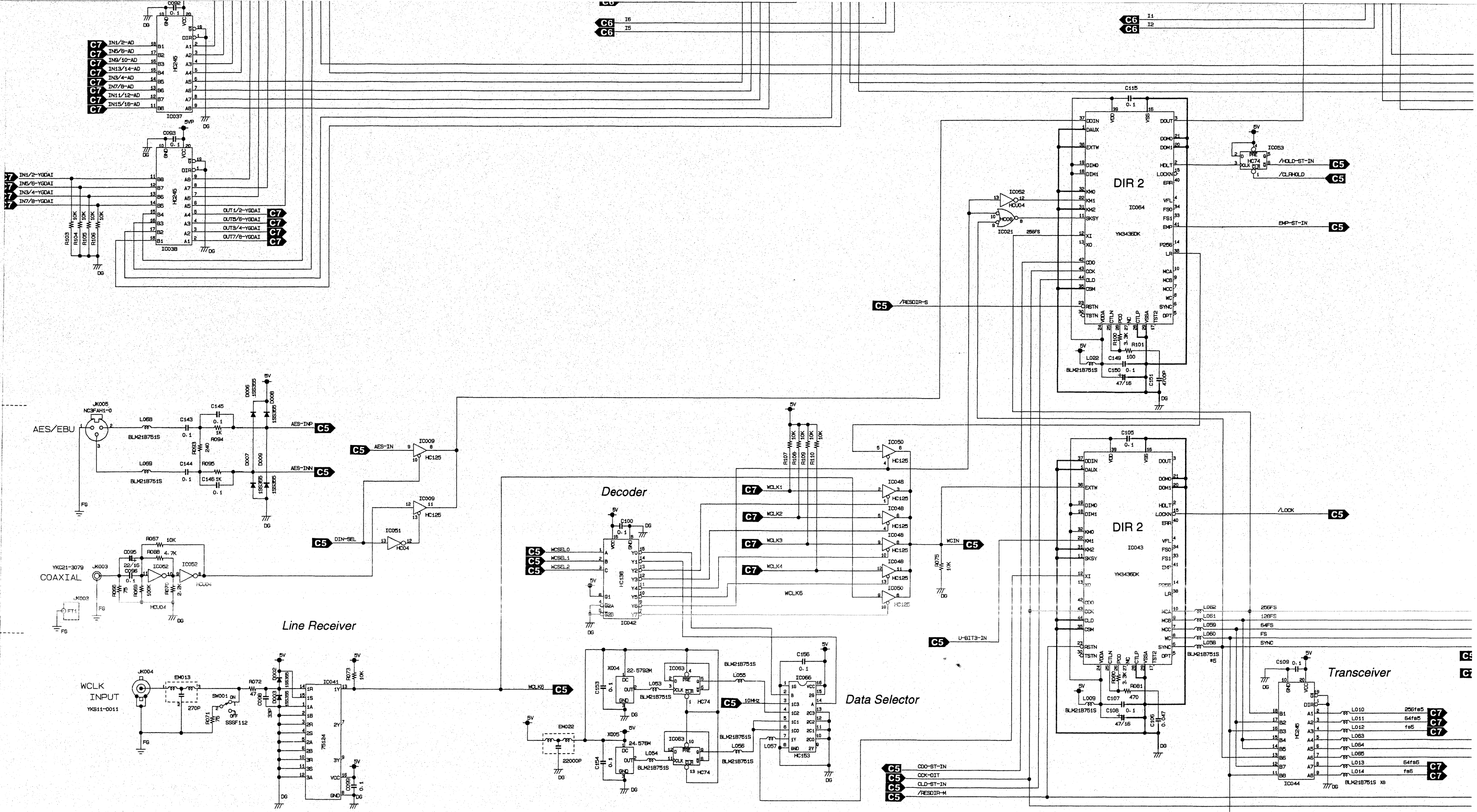
1

2

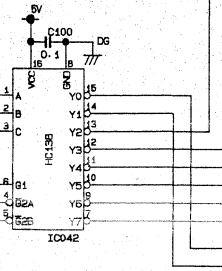
3

Transceiver

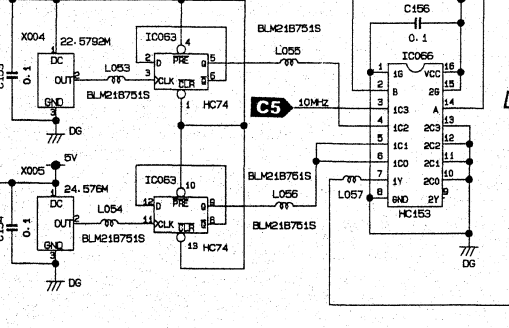




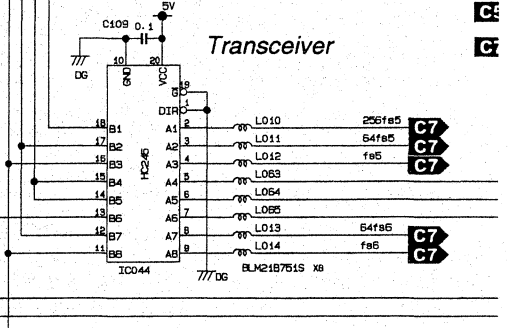
Decoder



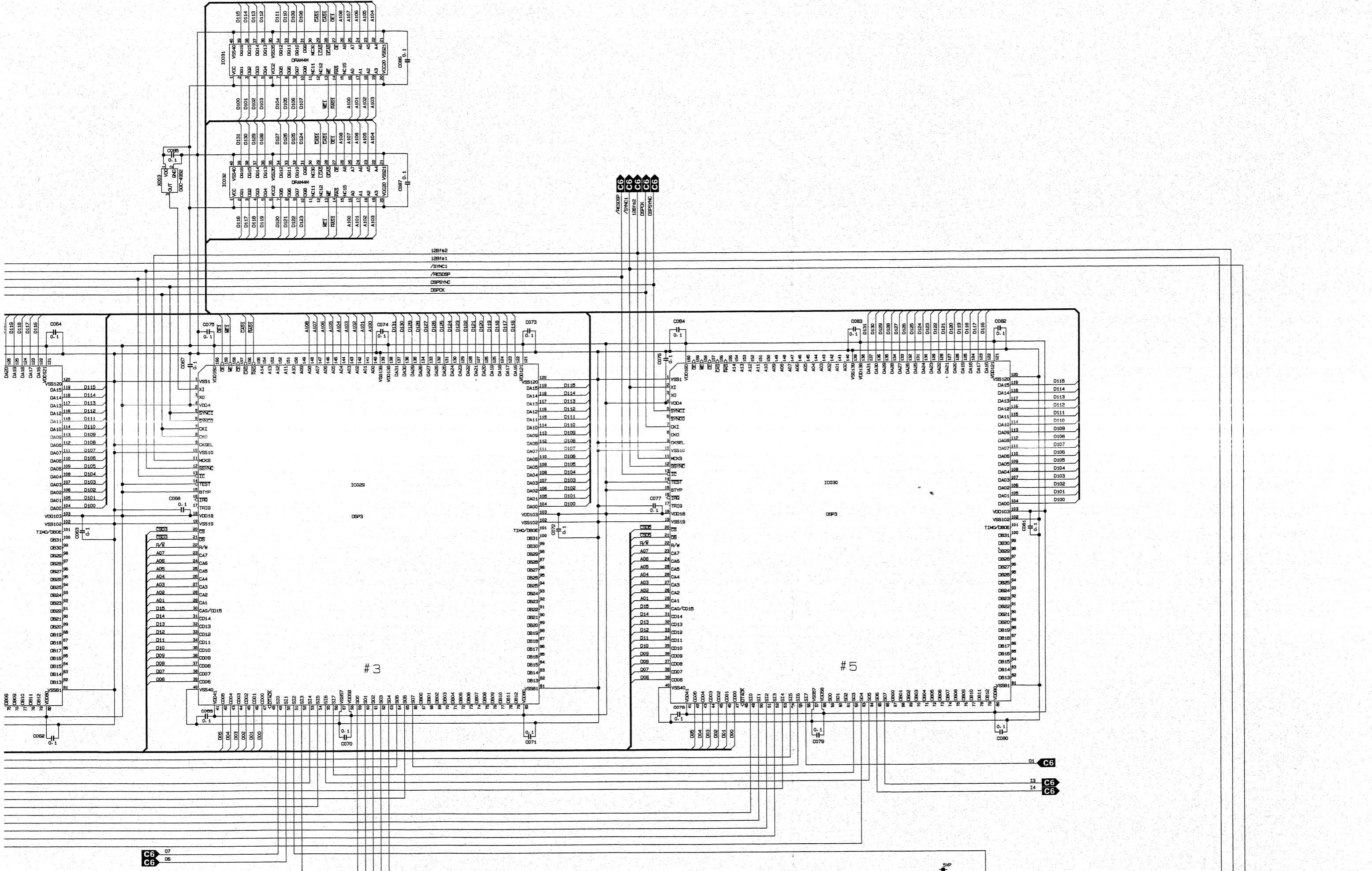
Data Selector

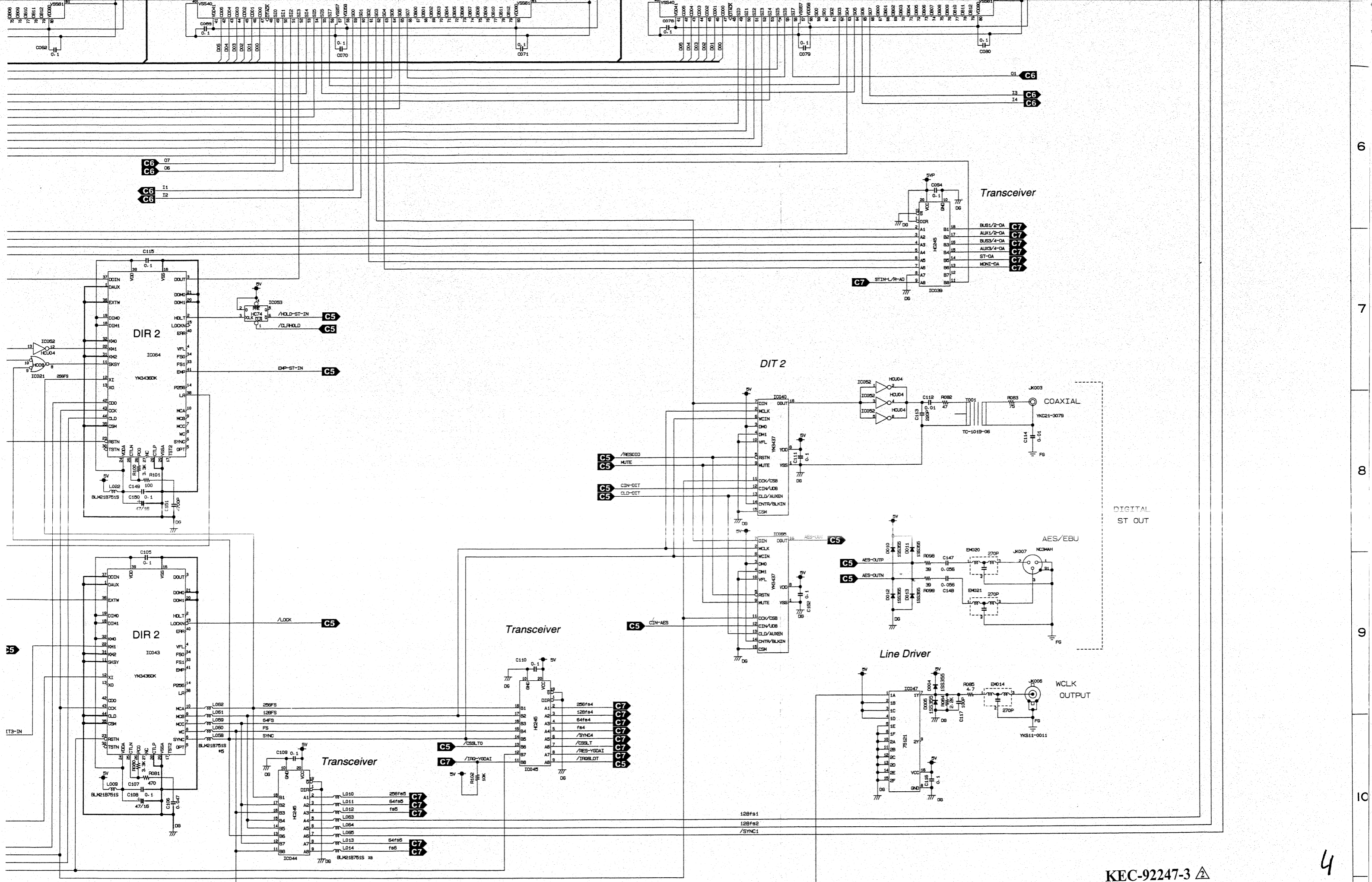


Transceiver



- C5 C00-ST-IN
- C5 C00-CIT
- C5 C00-ST-IN
- C5 /RESDIR-M





6

7

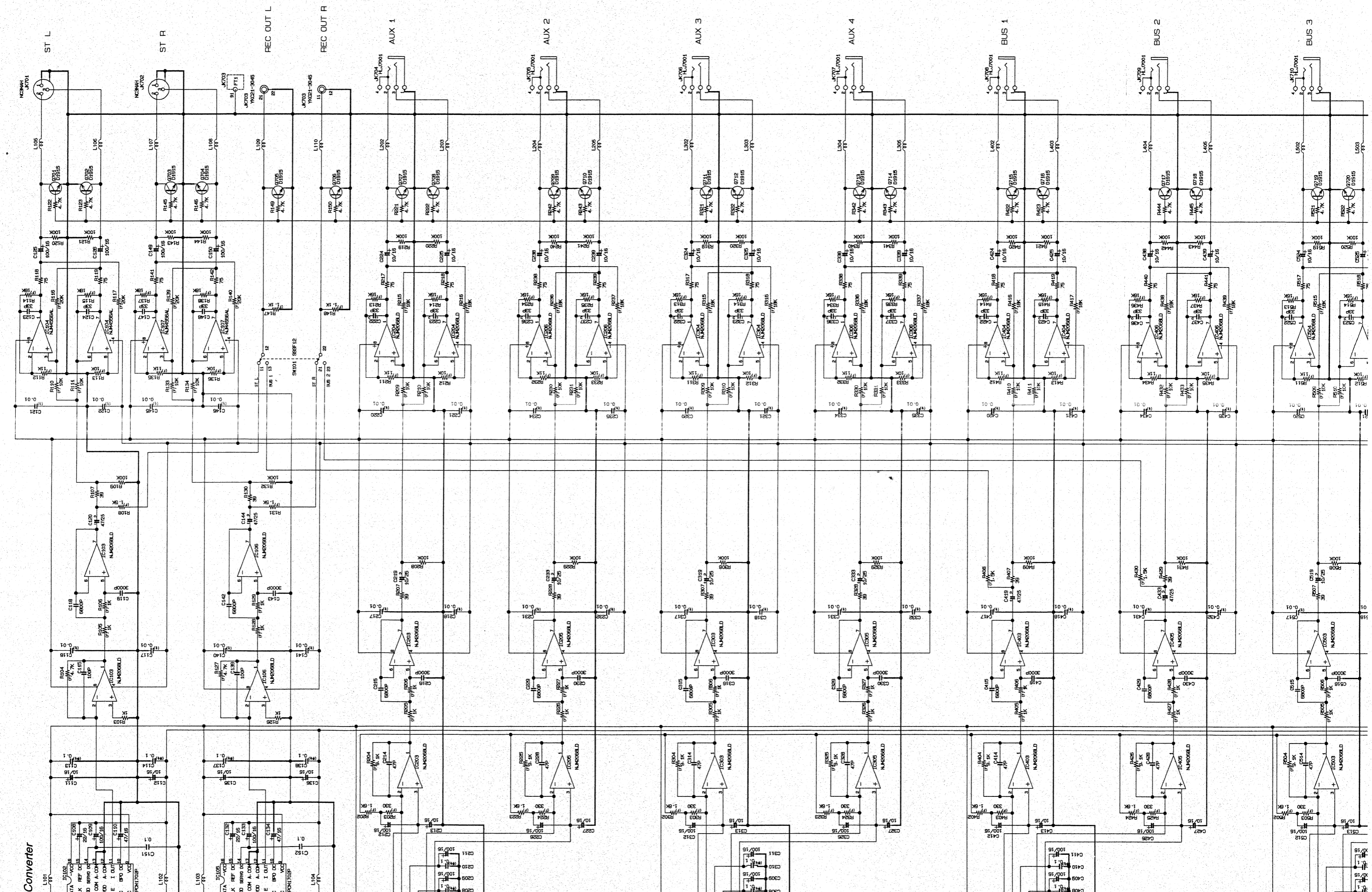
8

9

10

57

CIRCUIT DIAGRAM (DA)

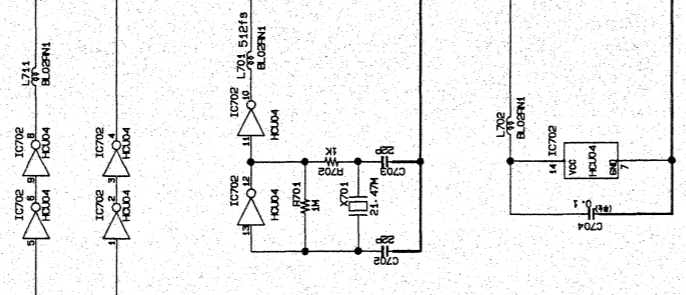
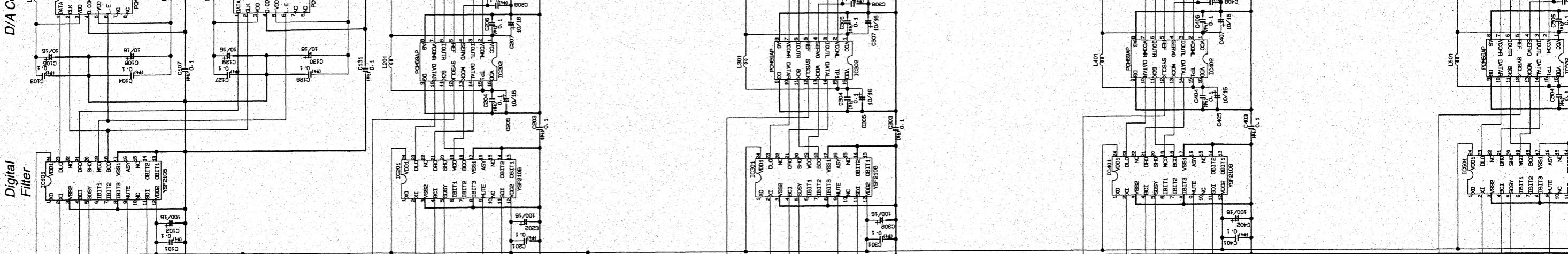


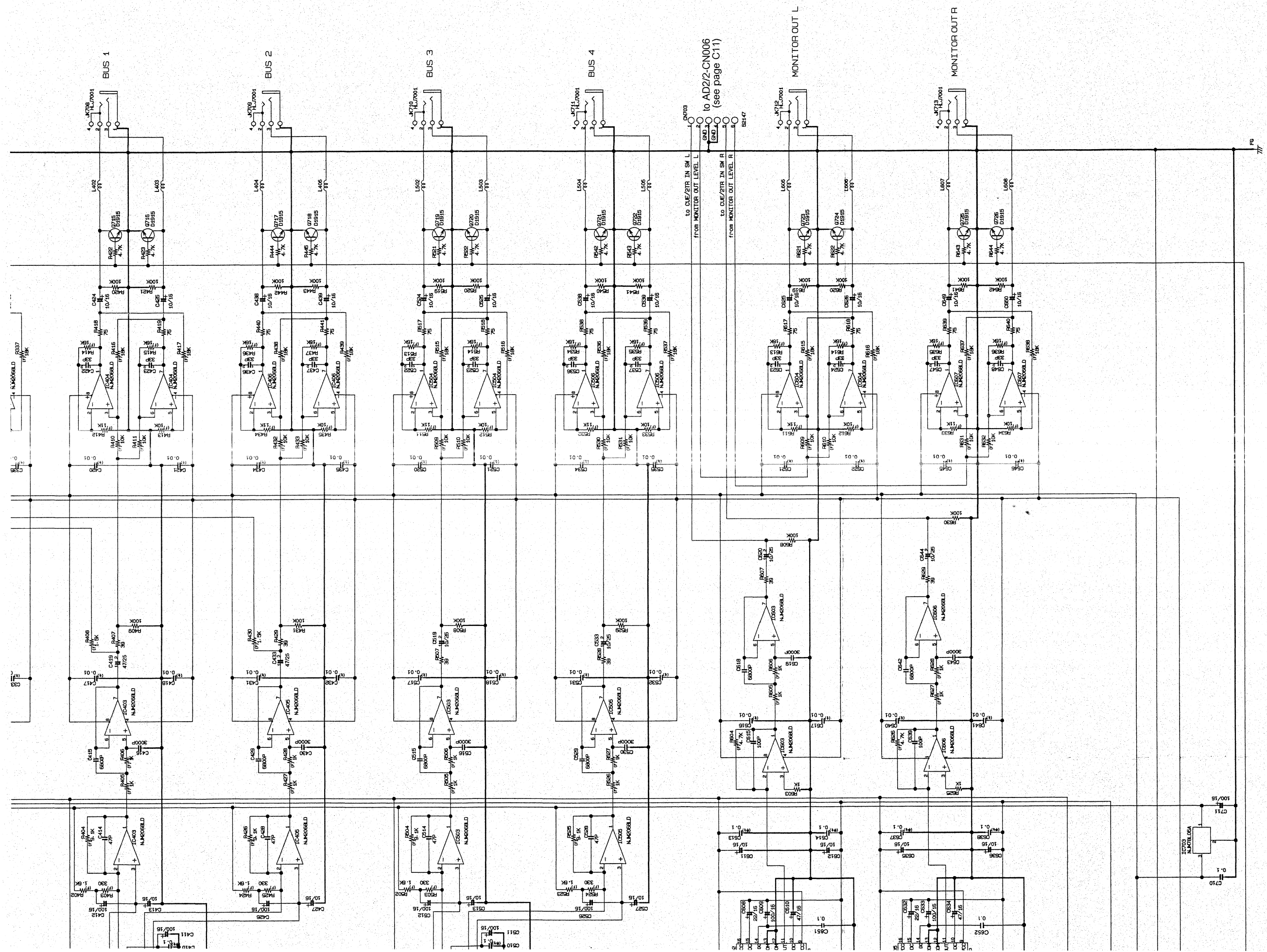
Transceiver

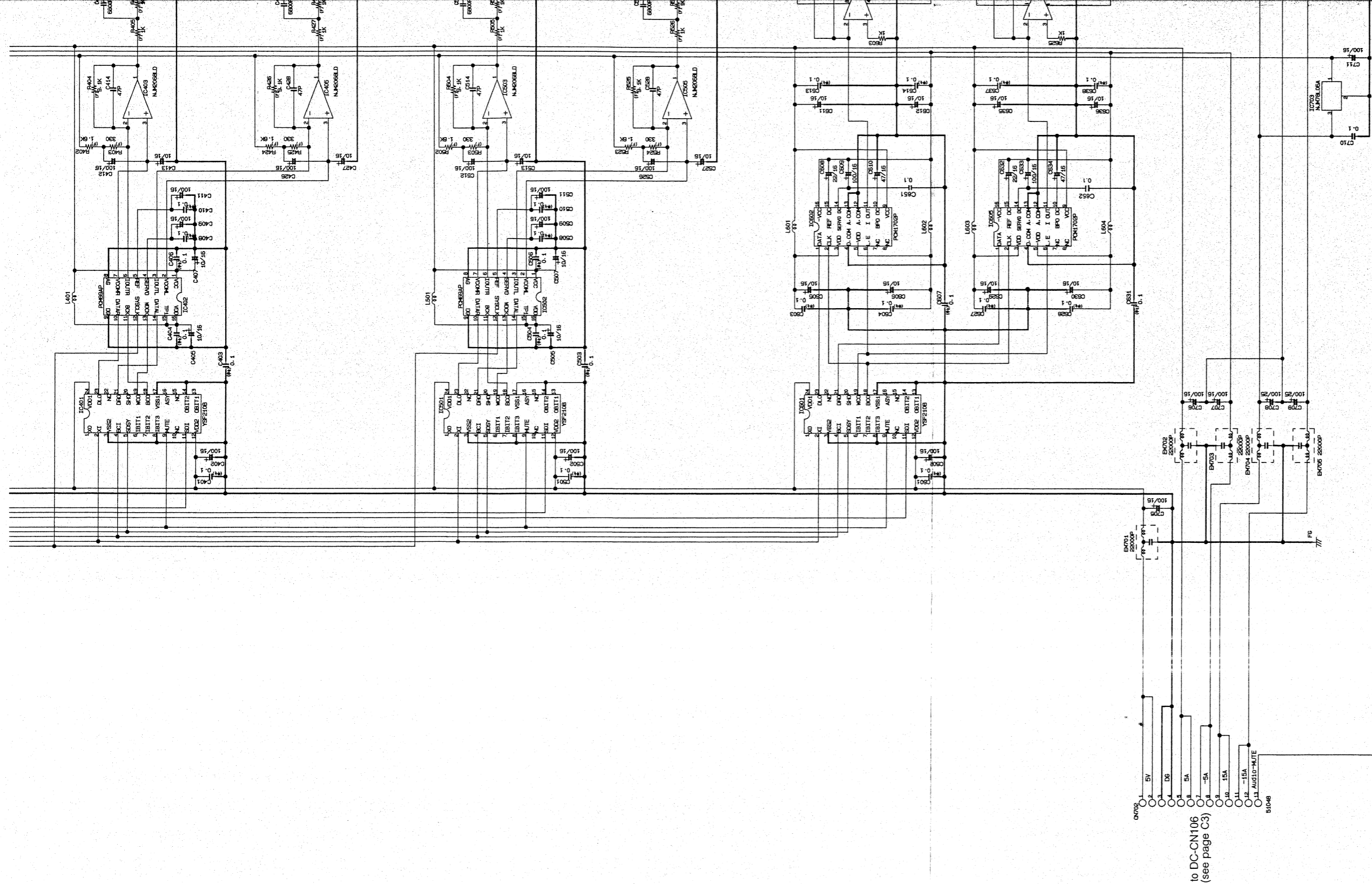
- 1. 54195
- 2. 64195
- 3. 795
- 4. 794
- 5. ST-DA
- 6. AUX1/2-DA
- 7. AUX1/2-DA
- 8. AUX3/4-DA
- 9. AUX3/4-DA
- 10. BUS1/2-DA
- 11. BUS1/2-DA
- 12. BUS3/4-DA
- 13. MONI-DA
- 14. MONI-DA
- 15. 25815
- 16. AUX-MUTE
- 17. 51048

to MAIN1/2-CND05
(see page C7)

Digital Filter

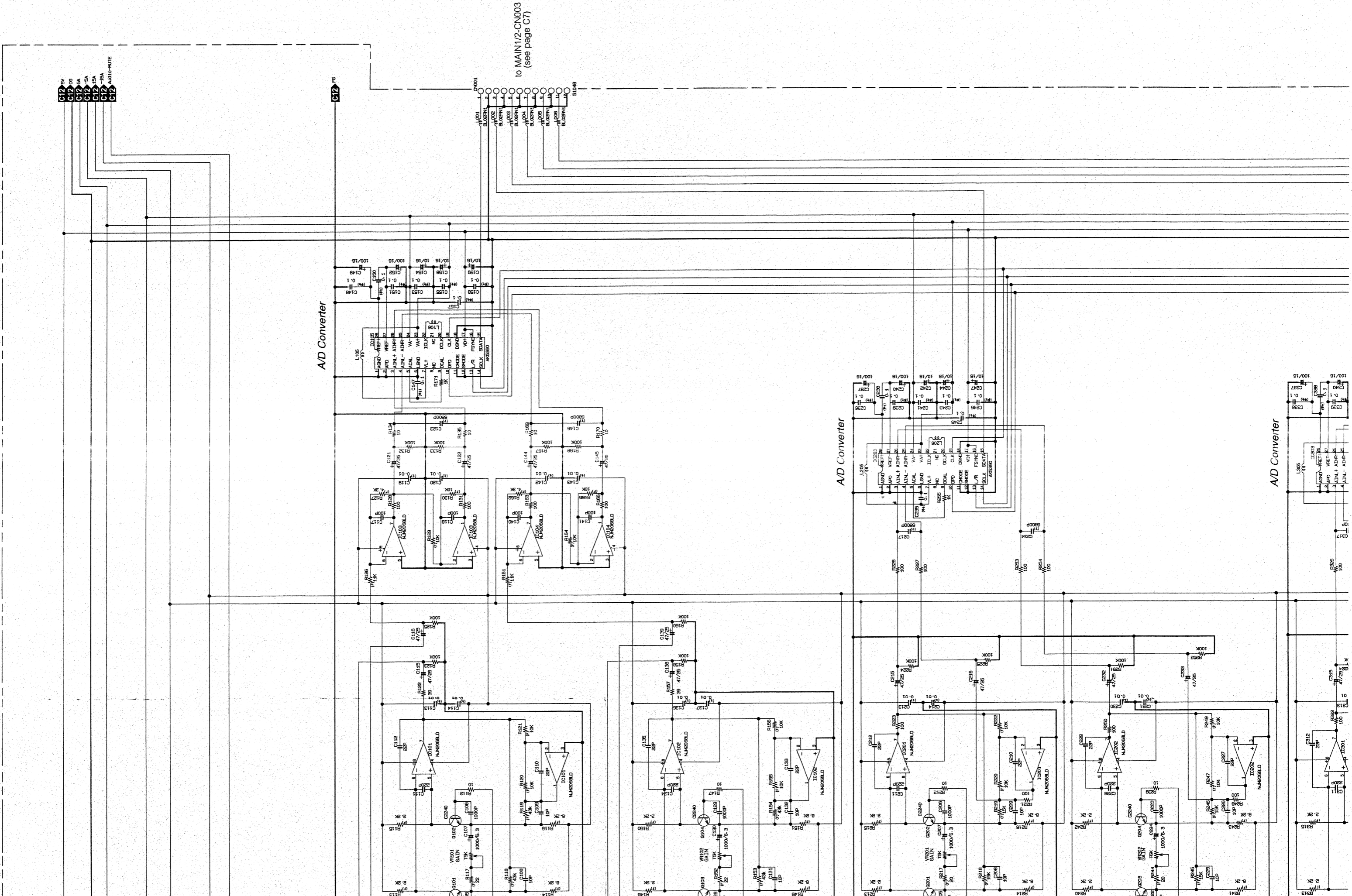






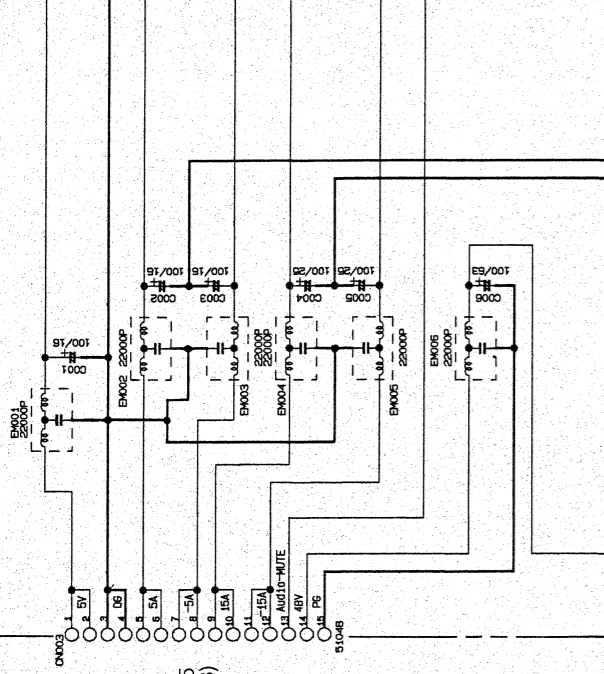
9

CIRCUIT DIAGRAM (AD 1/2 and AD 2/2)



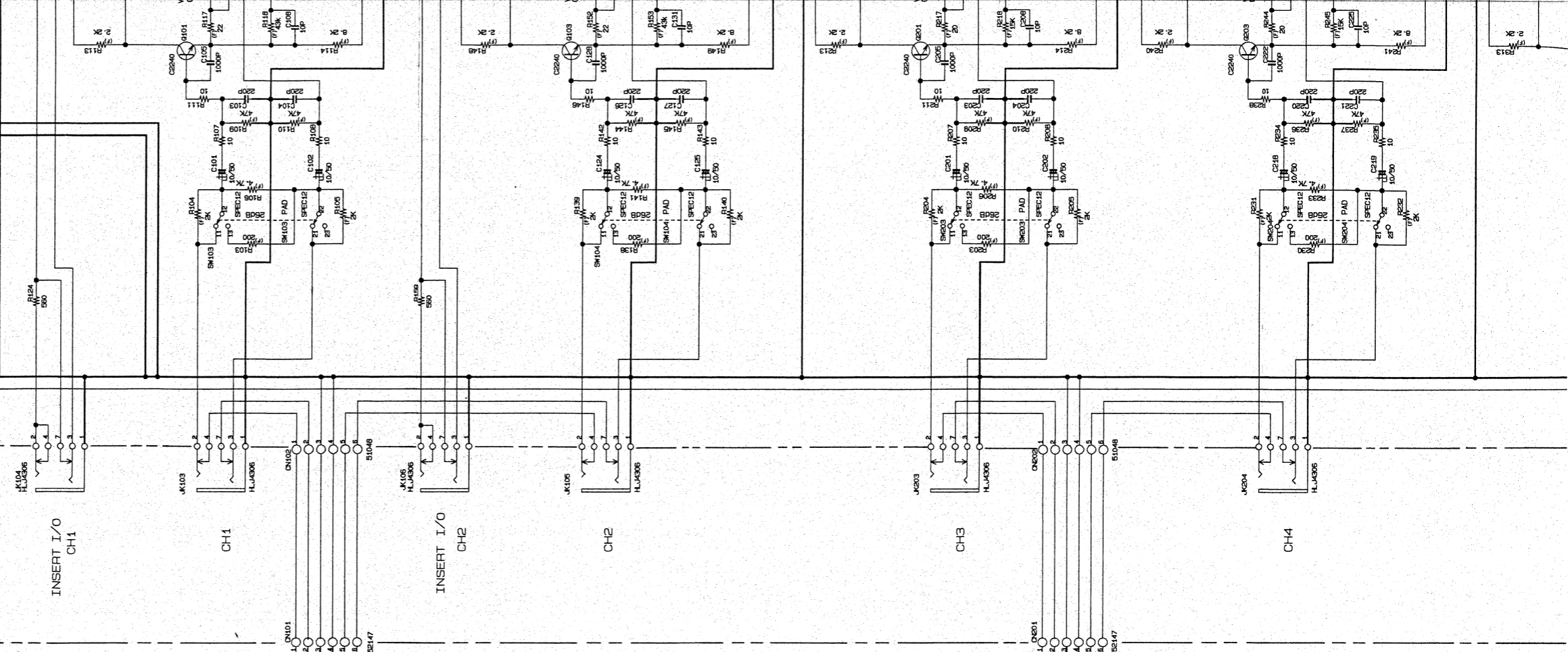
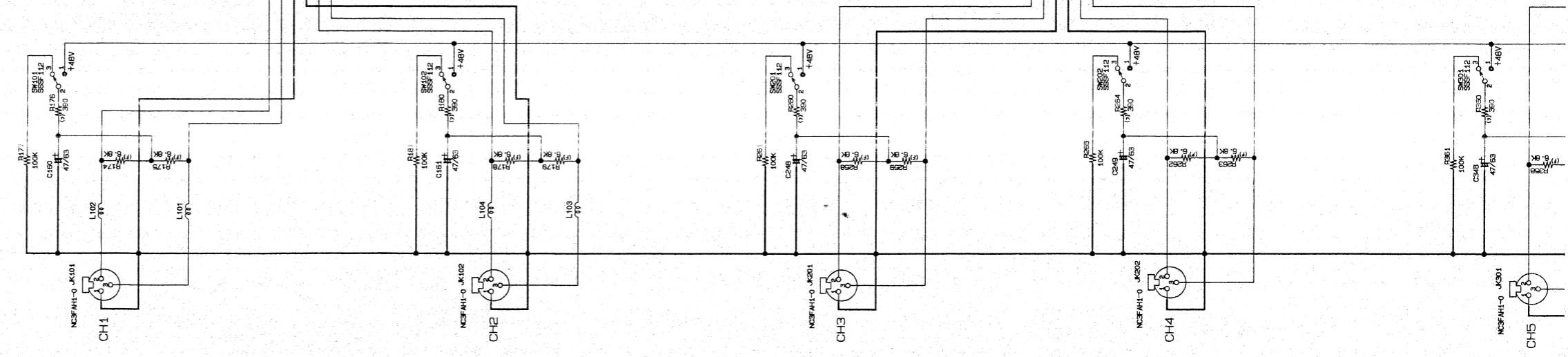
10

AD112-1

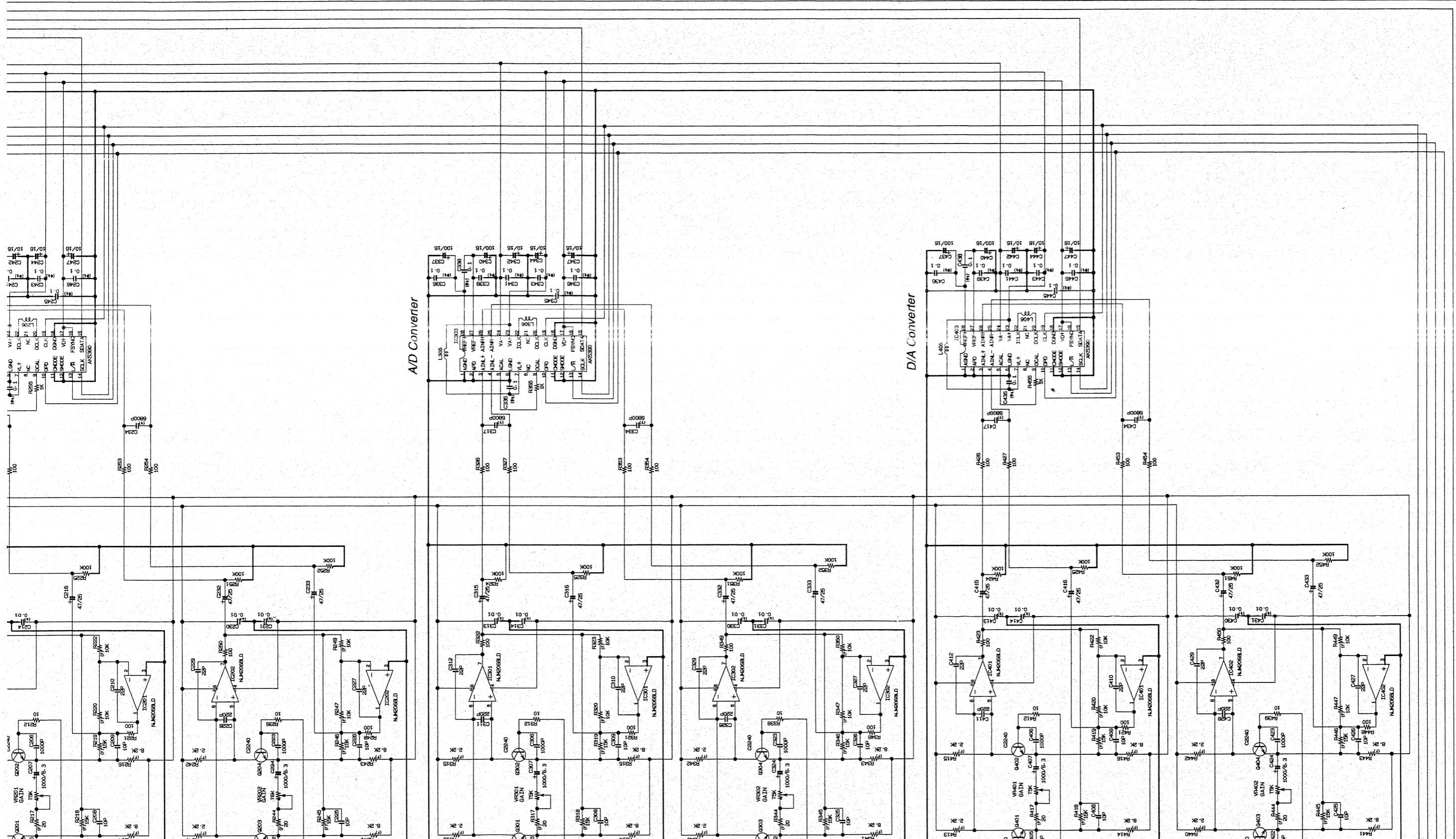


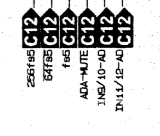
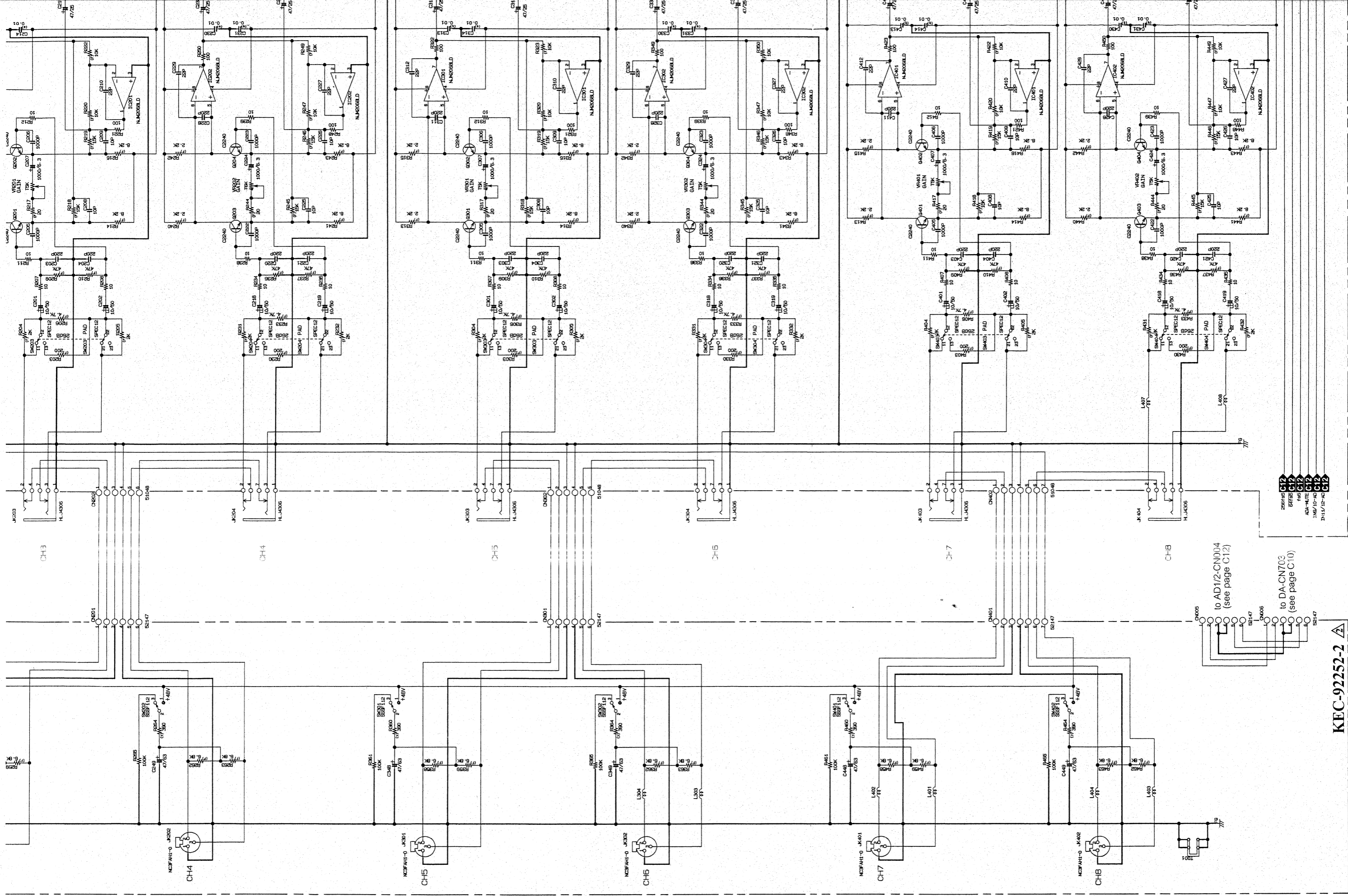
to DC-CN105
(see page C3)

AD212



KEC-92252-2





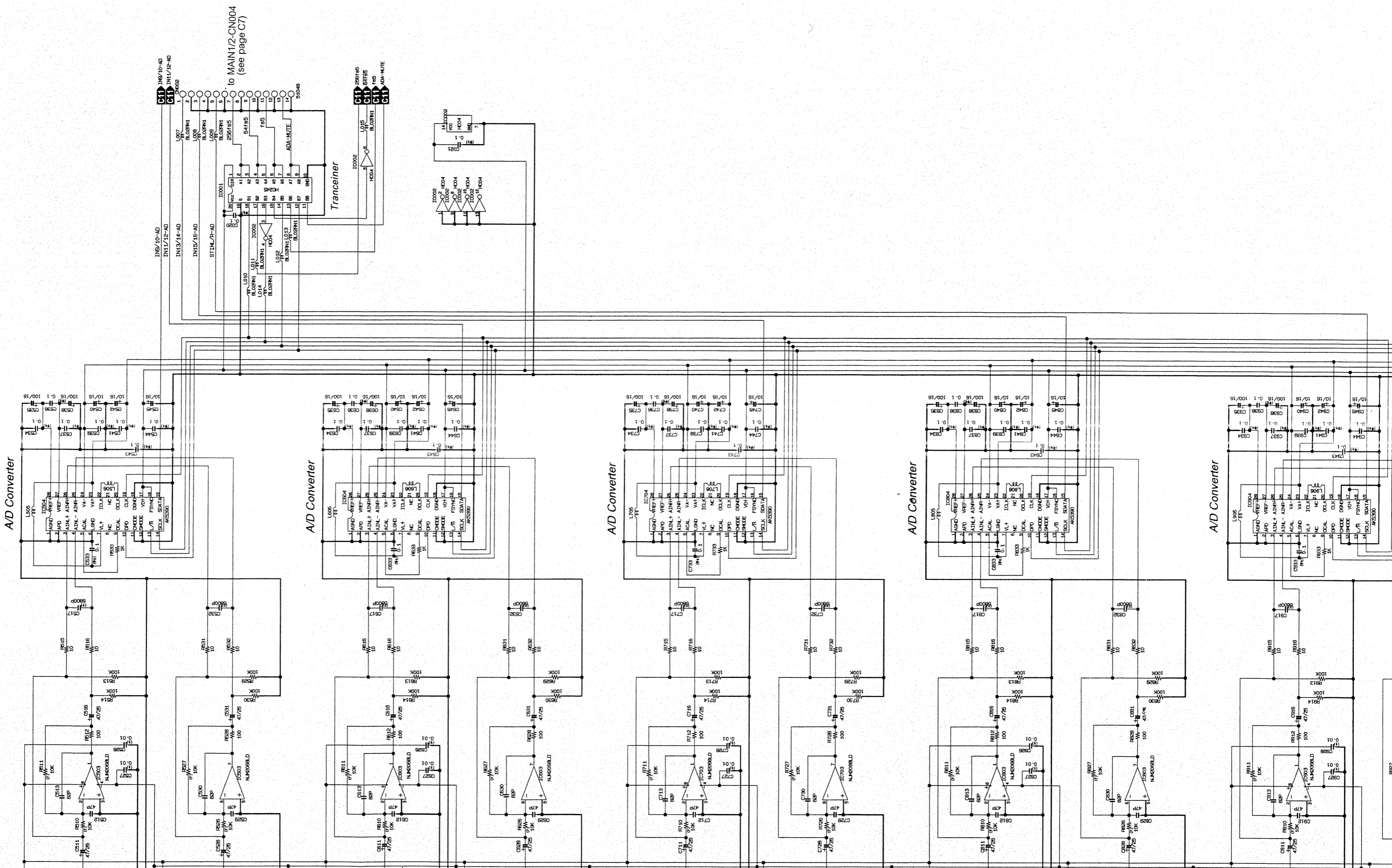
to AD12-CN004
(see page C12)

to DA-CN703
(see page C10)

KEC-92252-2

13

CIRCUIT DIAGRAM (AD 1/2)



to MAIN1/2-CN004
(see page C7)

Tranceiner

A/D Converter

A/D Converter

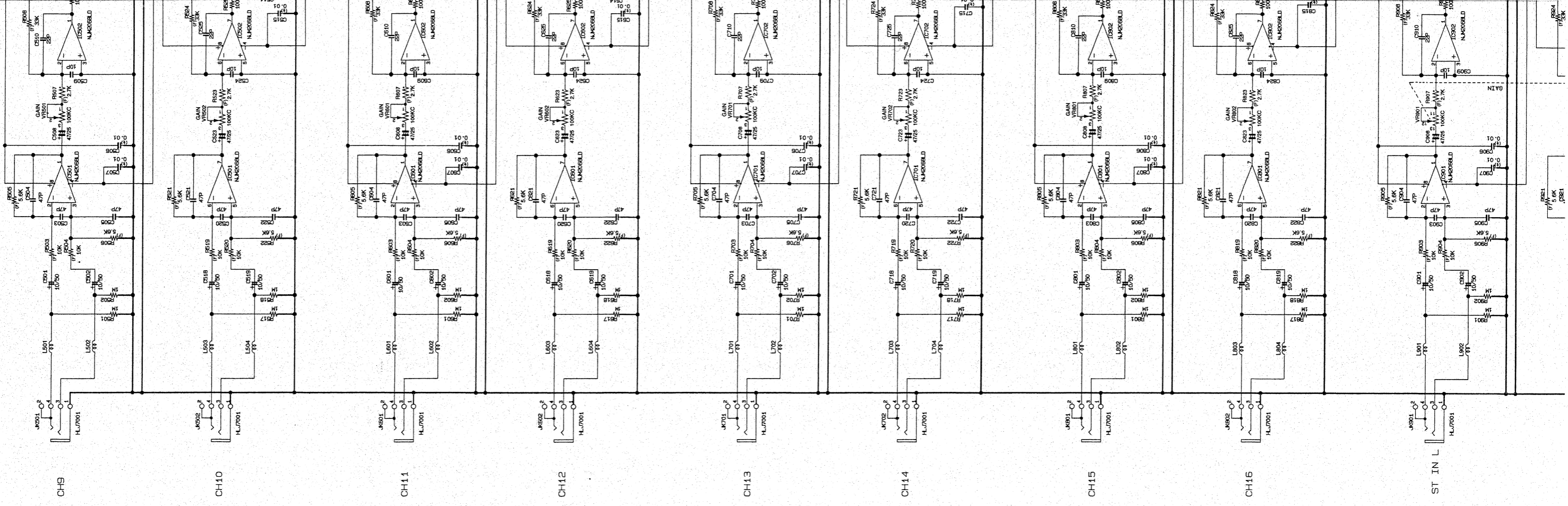
A/D Converter

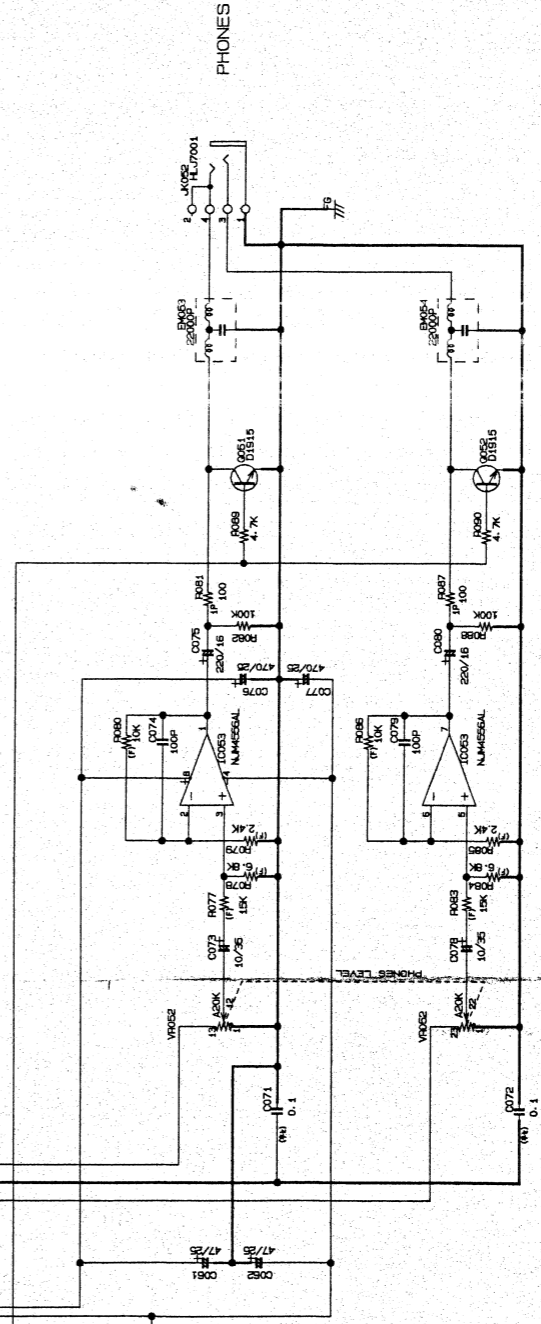
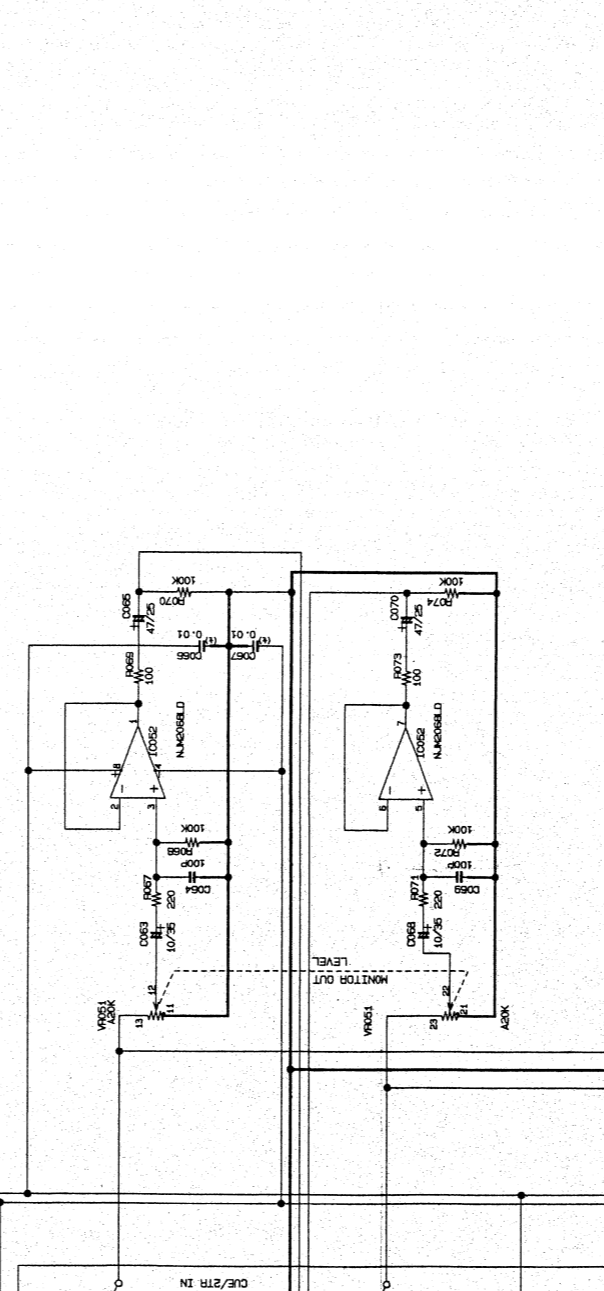
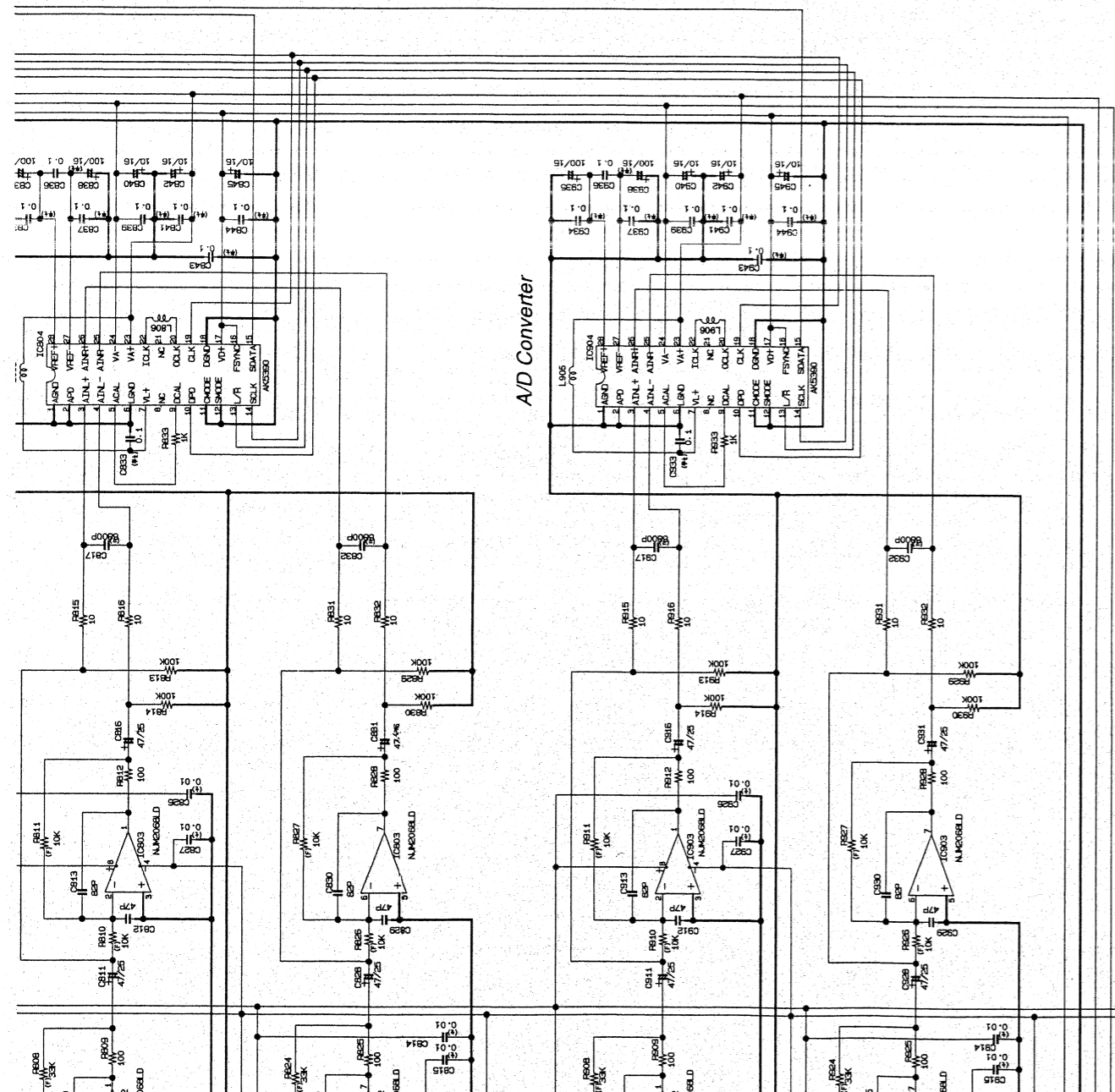
A/D Converter

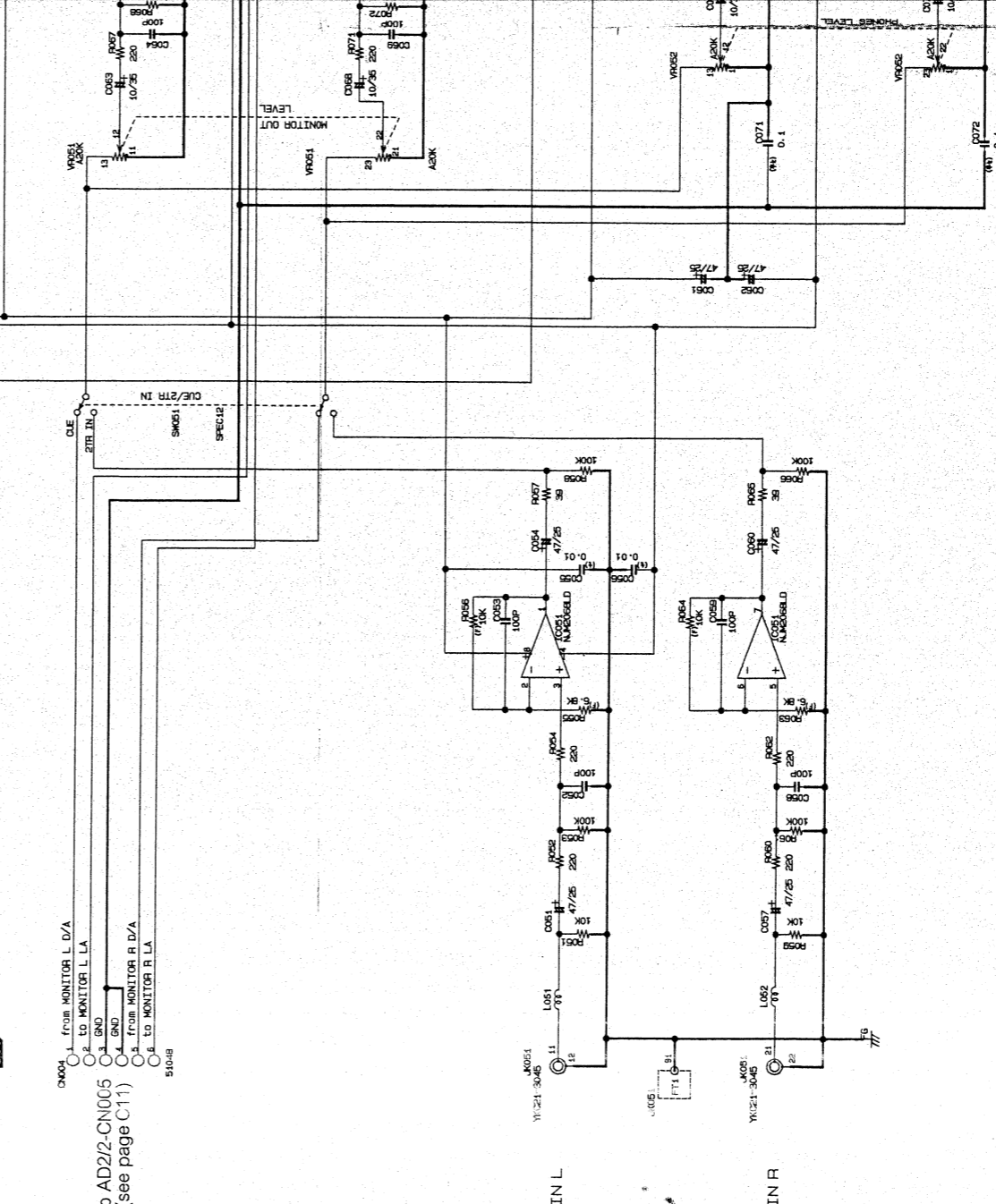
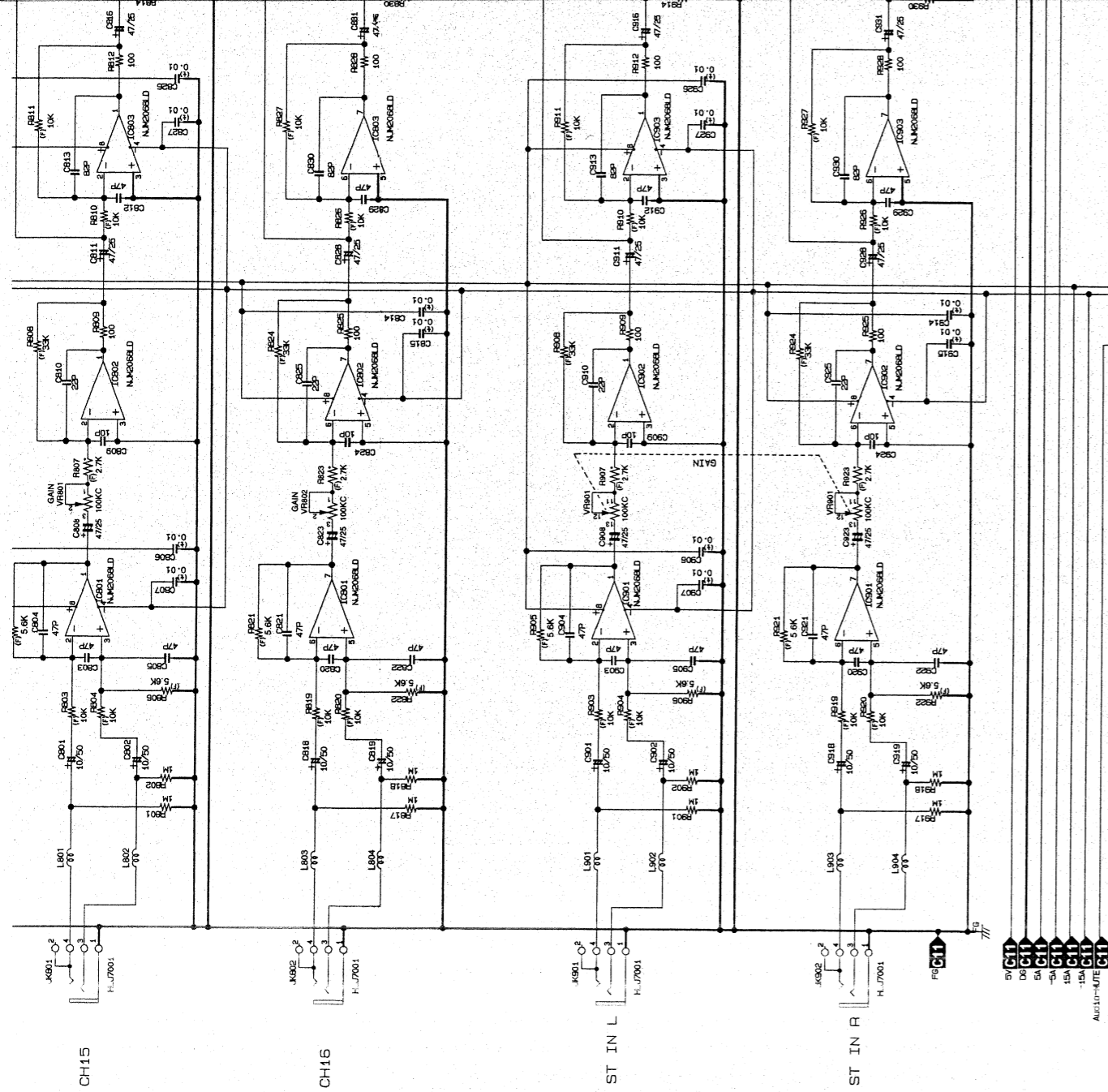
A/D Converter

14

C12

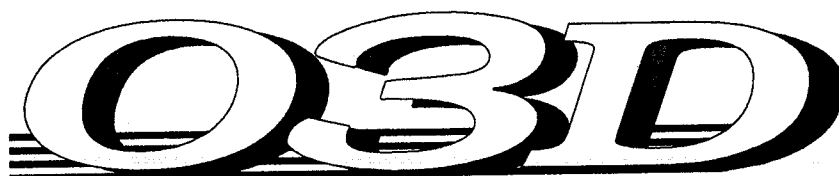






CN004 From MONITOR L D/A
 CN005 From MONITOR L L/A
 CN006 GND
 CN007 From MONITOR R D/A
 CN008 From MONITOR R L/A

DIGITAL MIXING CONSOLE



PARTS LIST

■ CONTENTS (目次)

OVERALL ASSEMBLY (総組立)	1
CONTROL PANEL ASSEMBLY (コンパネ Ass'y)	3
REAR PANEL U ASSEMBLY (リアパネルU Ass'y)	6
REAR PANEL D ASSEMBLY (リアパネルD Ass'y)	9
DC ASSEMBLY (DC Ass'y)	10
AC CORD ASSEMBLY (電源コード Ass'y)	11
ELECTRICAL PARTS (電気部品)	12~19

Notes DESTINATION ABBREVIATIONS

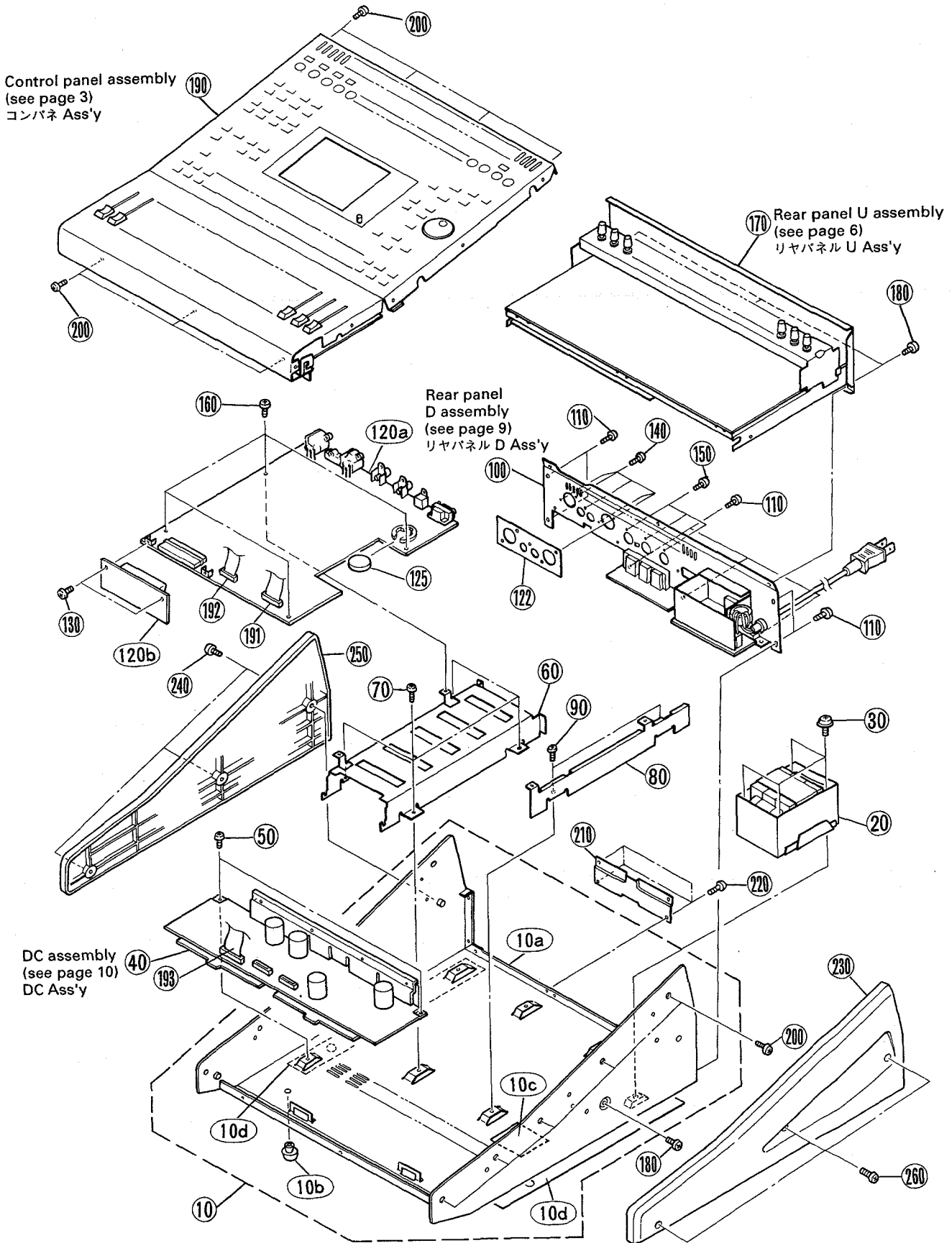
A : Australian model	J : Japanese model
B : British model	M : South African model
C : Canadian model	Q : South-east Asia model
D : German model	U : U.S.A. model
E : European model	V : General export model (110V)
F : French model	W : General export model (220V)
G : Belgian model	X : General export model
H : North European model	Y : Export model
I : Indonesian model	

■ WARNING

Components having special characteristics are marked Δ and must be replaced with parts having specifications equal to those originally installed.

Δ 印の部品は、安全を維持するために重要な部品です。交換をする場合は、安全のため必ず指定の部品をご使用下さい。

OVERALL ASSEMBLY (総組立)



REF NO.	PART NO.	DESCRIPTION	部 品 名	REMARKS	QTY	ランク
* 10	VV465300	OVERALL ASSEMBLY	総 組 立	03DD		
10a	--	Bottom Assembly	ボトム A s s ' y			
10b	VJ155700	Bottom Chassis	ボトムシャーシ	(VV46060)	4	01
10c	--	Foot	ゴ ム 脚			
10d	--	Label, Caution	ラベル コーシヨ	(VV85650)		
* 10d	VZ045400	Cover, Screw	ネジカバー		2	
△* 20	XS011A00	Power Transformer	電 源 ト ラ ン ス	J		
△* 20	XS012A00	Power Transformer	電 源 ト ラ ン ス	U,C,V		
△* 20	XS013A00	Power Transformer	電 源 ト ラ ン ス	H,B,W		
30	VC688800	Bind Head Tapping Screw-B	+ バインド B タイ		4	01
* 40	VV465000	DC Assembly	D C A s s ' y	J,U,C,V		
* 40	VV465200	DC Assembly	D C A s s ' y	H,B,W		
50	VC688800	Bonding Tapping Screw-B	ボンディング B タイ		2	01
60	--	Angle, OP	ア ン グ ル O P	(VV46140)		
70	VN413300	Bonding Tapping Screw-B	ボンディング B タイ		4	01
80	--	Angle	ア ン グ ル M A	(VV46150)		
90	VN413300	Bonding Tapping Screw-B	ボンディング B タイ		2	01
100	--	Rear Panel D Assembly	リアパネル D A s s ' y	J		(VV46570)
100	--	Rear Panel D Assembly	リアパネル D A s s ' y	U,C,V		(VV46580)
100	--	Rear Panel D Assembly	リアパネル D A s s ' y	H,W		(VV46590)
100	--	Rear Panel D Assembly	リアパネル D A s s ' y	B		(VV46600)
110	VC688800	Bonding Tapping Screw-B	ボンディング B タイ		7	01
* 120a	NX007660	Circuit Board	MAIN 1/2(MAIN)			(XS392B0)
* 120b	NX007670	Circuit Board	MAIN 2/2(CNCT)			(XS392B0)
* 122	VY794200	Earth Film	ア ー ス フ ィ ル ム			
125	VN103500	Lithium Battery	リチウム電池			03
130	EG340360	Bind Head Screw	+ バインド小ネジ		2	01
140	VN413300	Bonding Tapping Screw-B	ボンディング B タイ		5	01
150	VP157800	Bonding Screw	+ ボンディング小ネジ		3	01
160	EP600230	Bind Head Tapping Screw-B	+ バインド B タイ		4	01
170	--	Rear Panel U Assembly	リアパネル U A s s ' y	(VV46620)		
180	VC688800	Bonding Tapping Screw-B	ボンディング B タイ		5	01
190	--	Control Panel Assembly	コンパネ A s s ' y	(VV46630)		
191	--	Jumper Wire	FVP=2.0C26SB12-320	2678ジャンパーワイヤ	5	(VY69020)
192	--	Jumper Wire	FVP=2.0C26SB10-320	2678ジャンパーワイヤ	5	(VY69000)
193	--	Jumper Wire	FVP=2.0C26SB16-320	2678ジャンパーワイヤ	5	(VY69080)
200	VC688800	Bonding Tapping Screw-B	ボンディング B タイ		17	01
210	VT956000	IF Plate	I F プ レ ー ト B L - L			04
220	VS154500	Bonding Screw	+ ボンディング小ネジ		4	01
* 230	VV462200	Side Pad	RIGHT			
240	EG340360	Bind Head Screw	+ バインド小ネジ		3	01
* 250	VV462300	Side Pad	LEFT			
260	EG340360	Bind Head Screw	+ バインド小ネジ		3	01

* New Parts (新規部品)

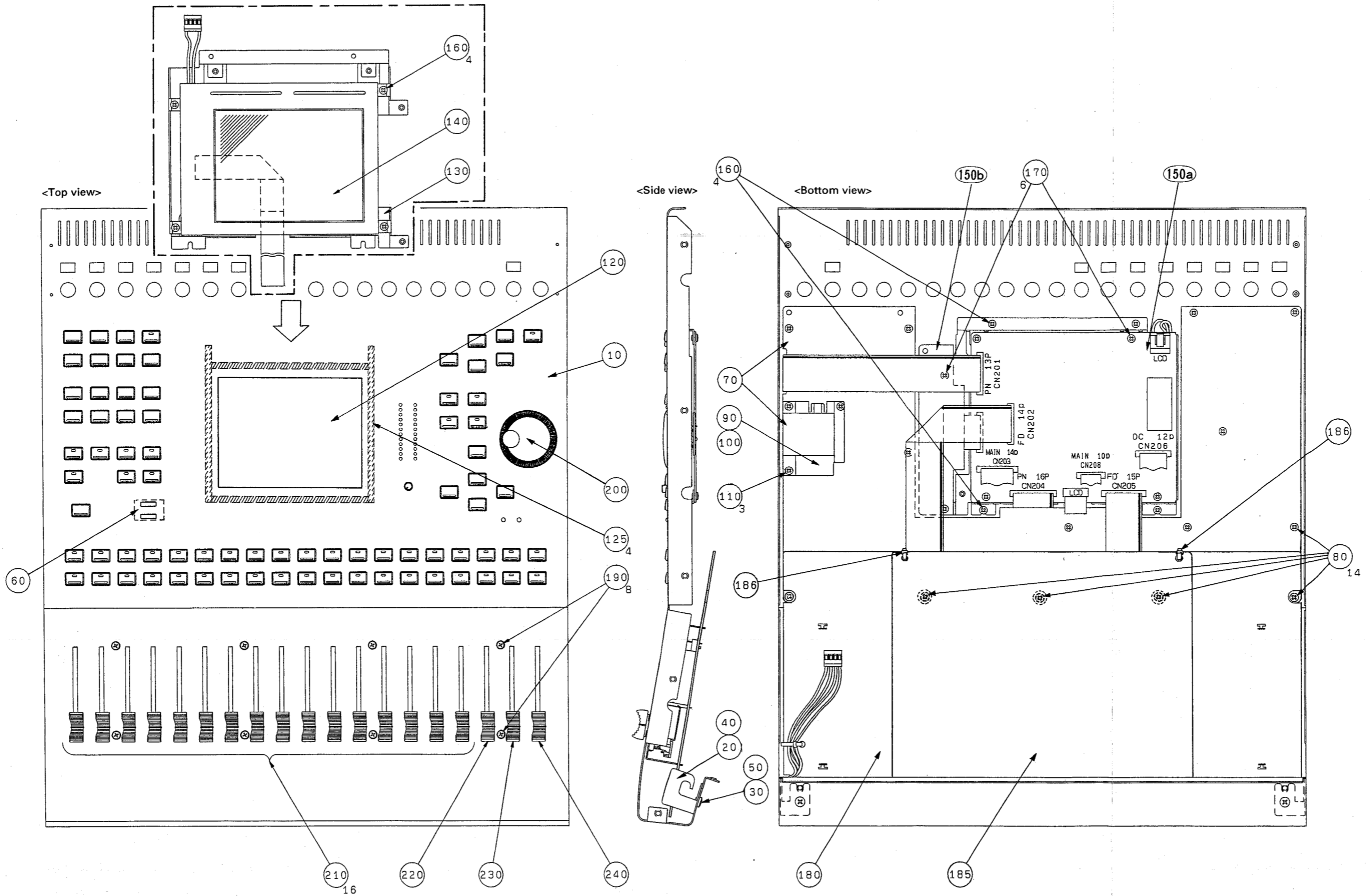
ランク : Japan only

CONTROL PANEL ASSEMBLY (コンパネAss'y)

REF NO.	PART NO.	DESCRIPTION	部 品 名	REMARKS	QTY	ランク
	---	CONTROL PANEL ASSEMBLY	コンパネ Ass'y	03D		
	---	Control Panel Assembly	コンパネ Ass'y	(VV46630)		
* 10	VV460500	Control Panel	コントロールパネル			
15	---	Damper Rubber	ダンパーゴム	(VY89060)		
* 20	VV613600	Angle, CN	アングルCN			
30	EG340360	Bind Head Screw	4.0X8 MFZN2BL	+		01
* 40	VV613700	Angle, CN	RIGHT アングルCN			
50	EG340360	Bind Head Screw	4.0X8 MFZN2BL	+		01
* 60	VV462600	Window, Small	ウインドウス			
* 70	VV169000	Circuit Board	PN/ENC	PN/ENCシート	(XS396B0)	
80	EP600230	Bind Head Tapping Screw-B	3.0X6 MFZN2BL	+		14 01
90	---	Angle, Encoder	アングルEC	(VV46170)		
100	VJ388000	Hexagonal Nut	9.0 11X2 MFZN2BL	特殊六角ナット		01
110	EP600230	Bind Head Tapping Screw-B	3.0X6 MFZN2BL	+		3 01
* 120	VV462500	Window, Large	ウインドウL			
* 125	VY849700	Cushion		クッション		
130	---	LCD Angle		アングルLCD	(VV46130)	
140	VT379600	LCD	EDMMPU3BBF	液晶ディスプレイ		27
* 150a	NX007680	Circuit Board	SUB 1/2(LCD-D)	SUB 1/2シート	(XS393B0)	
* 150b	NX007690	Circuit Board	SUB 2/2(LEVEL)	SUB 2/2シート	(XS393B0)	
160	VP157900	Bind Head Tapping Screw-B	A3.0X6 MFZN2BL	+		8 01
170	EP600230	Bind Head Tapping Screw-B	3.0X6 MFZN2BL	+		6 01
* 180	VV168900	Circuit Board	FD	FDシート	(XS395B0)	
* 185	VZ098800	Isolation Sheet		絶縁シート		
186	CB069250	Cord Holder	BK-1	インシュロックタイ		2 01
190	VS182000	Flat Head Screw	3.0X6 MFZN2BL	+		8 01
200	VT651700	Encoder Knob		エンコーダーツマミ		02
210	VR275600	Fader Knob	BL/S-GY	ノブ(フェーダー)	Channel faders(1-16)	16 04
220	VS086200	Fader Knob	S-GY/D-GY	ノブ(フェーダー)	ST IN	04
230	VS411400	Fader Knob	S-GY/BE	ノブ(フェーダー)	EFFECT RETURN	04
240	VR282700	Fader Knob	BL/RE	ノブ(フェーダー)	ST OUT	04

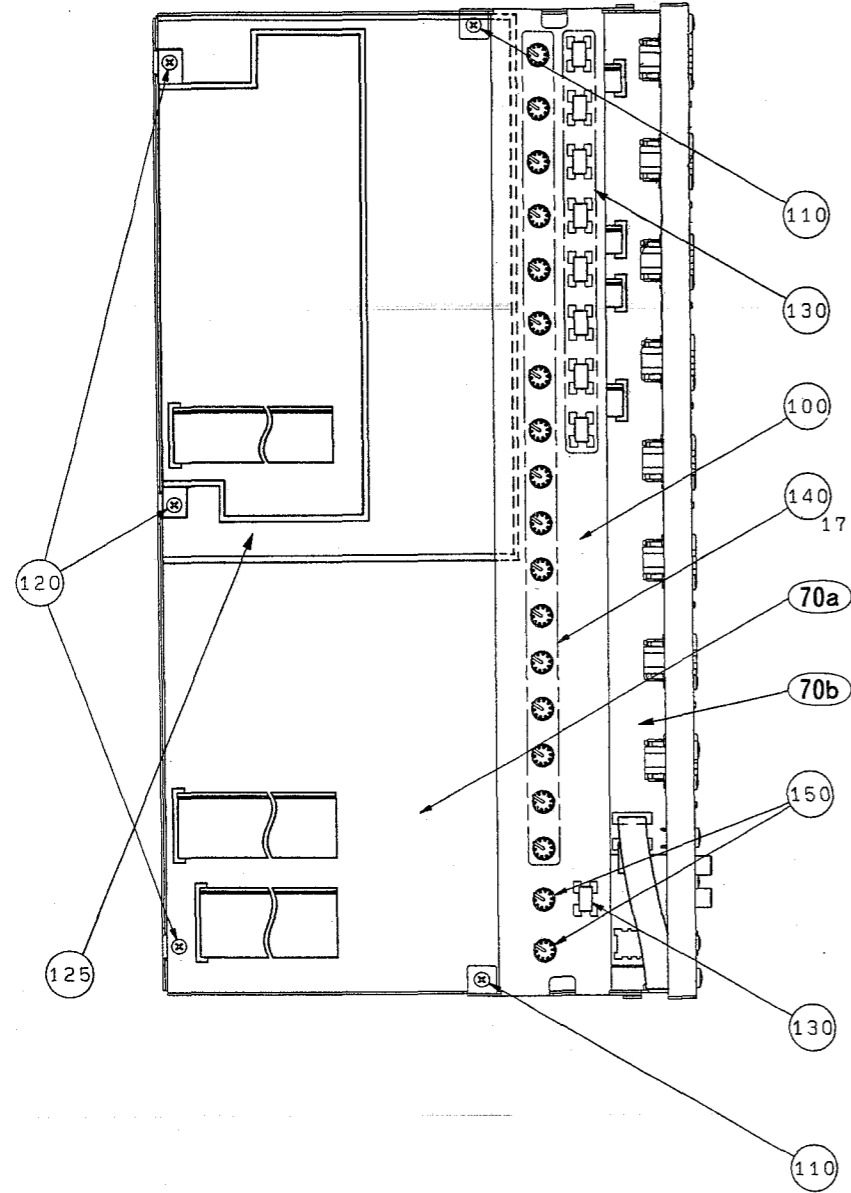
* New Parts (新規部品)

ランク : Japan only

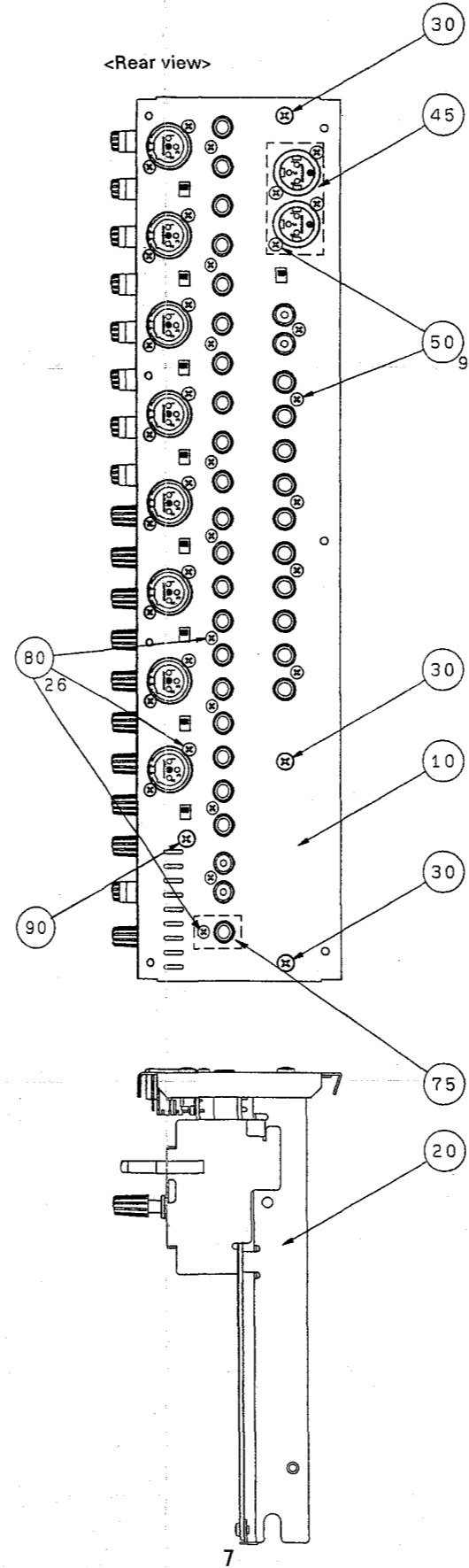


REAR PANEL U ASSEMBLY (リアパネルU Ass'y)

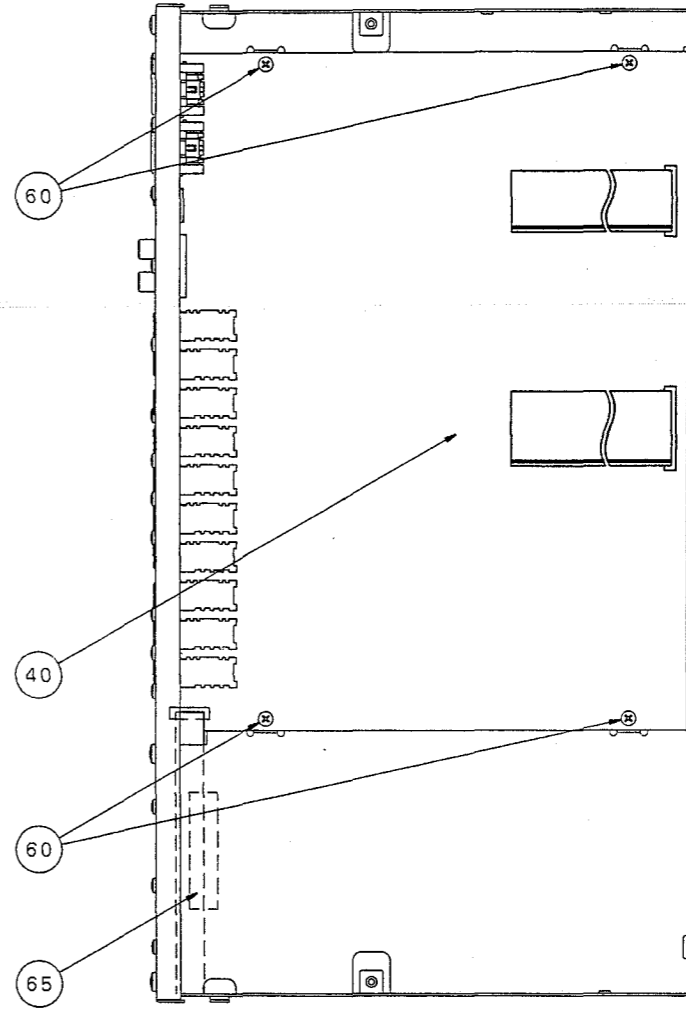
<Top view>



<Rear view>



<Bottom view>

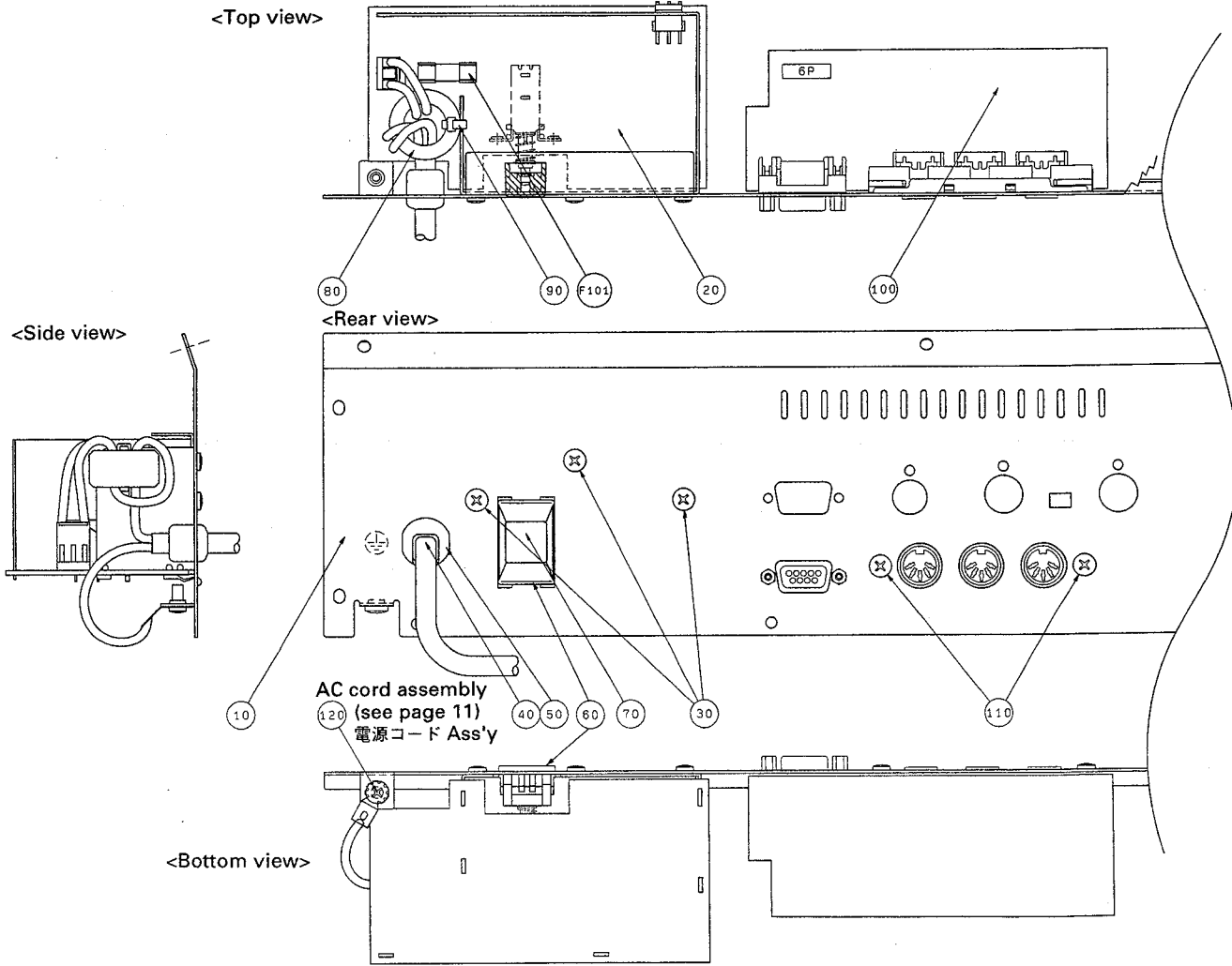


REF NO.	PART NO.	DESCRIPTION	部 品 名	REMARKS	QTY	ランク
		REAR PANEL U ASSEMBLY	リアパネルU A s s ' y	03D		
		Rear Panel U Assembly	リアパネルU A s s ' y	(VV46620)		
* 10	VV460800	Rear Panel	リアパネルU			
20		Shield Plate	シールドパン	(VV46070)		
30	VC688800	Bonding Tapping Screw-B	A4.0X8 MFZN2BL		3	01
* 40	VV169200	Circuit Board	DA	(XS398B0)		
* 45	VV909900	Plate, Ground	XLM CONNECTOR			
50	VP157000	Bind Head Tapping Screw-B	A3.0X8 MFZN2BL		9	01
60	EP600230	Bind Head Tapping Screw-B	3.0X6 MFZN2BL		4	01
65	VA126100	Adhesive Tape	12X50			03
* 70a	NX007700	Circuit Board	AD 1/2(PHONES)	(XS397B0)		
* 70b	NX007710	Circuit Board	AD 2/2(XLRS)	(XS397B0)		
* 75	VV910000	Plate, Ground	PHONE JACK			
80	VN413300	Bonding Tapping Screw-B	3.0X8 MFZN2BL		26	01
90	VS154500	Bonding Screw	4.0X8 MFZN2BL			01
100		AD Angle	アングルAD	(VV46120)		
110	VN413300	Bonding Tapping Screw-B	3.0X8 MFZN2BL		2	01
120	EP600230	Bind Head Tapping Screw-B	3.0X6 MFZN2BL		3	01
125		Shield Film	シールドフィルム	(VY89070)		
* 130	VV603900	Button Assembly	D-GY/S-GY		9	
* 140	VV604000	Knob Assemble, Small	S-GY/D-GY		17	
* 150	VV604100	Knob Assemble, Small	M-GY/S-GY		2	

* New Parts (新規部品)

ランク : Japan only

REAR PANEL D ASSEMBLY (リアパネルD Ass'y)



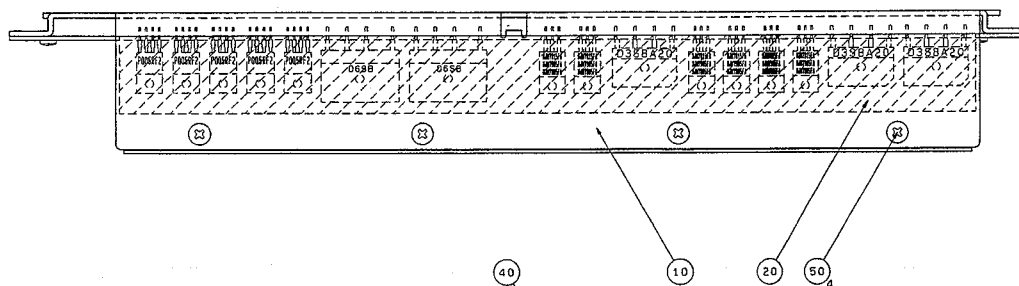
REF. NO.	PART NO.	DESCRIPTION	部 品 名	REMARKS	QTY	ランク
	--	REAR PANEL ASSEMBLY	リアパネルD Ass'y	03D		
	--	Rear Panel Assembly	リアパネルD Ass'y	J	(VV46570)	
	--	Rear Panel Assembly	リアパネルD Ass'y	U,C,V	(VV46580)	
	--	Rear Panel Assembly	リアパネルD Ass'y	H,W	(VV46590)	
	--	Rear Panel Assembly	リアパネルD Ass'y	B	(VV46600)	
* 10	VV460900	Rear Panel	リアパネルD	J		
* 10	VV461000	Rear Panel	リアパネルD	U,C,V		
* 10	VV461100	Rear Panel	リアパネルD	H,B,W		
* 20	VV169400	Circuit Board	ACシート		(XS396B0)	
30	VN413300	Bonding Tapping Screw-B	ボンディングBタイト			3 01
⚠ 40	VS228900	AC Cord Assembly	電源コード Ass'y	J		09
⚠ 40	VS229000	AC Cord Assembly	電源コード Ass'y	U,C,V		10
⚠ 40	VS229100	AC Cord Assembly	電源コード Ass'y	H,W		10
⚠ 40	VS229200	AC Cord Assembly	電源コード Ass'y	B		11
50	CB806850	Cord Strain Relief	コードストッパー	J		02
50	CB811230	Cord Strain Relief	コードストッパー	U,C,V		02
50	CB032840	Cord Strain Relief	コードストッパー	H,B,W		03
60	VL813000	Escutcheon, Power Switch	PSWエスカッション			03
70	VL812900	Power Switch Knob	PSWノブ			03
80	VC362700	Ferrite Core	フェライトコア			04
90	CB069250	Cord Holder	インシュロックタイ			01
* 100	VV169500	Circuit Board	JKシート		(XS396B0)	
110	VN413300	Bonding Tapping Screw-B	ボンディングBタイト			2 01
120	VL246000	Bind Head Tapping Screw-C	+バインドCタイト	U,C,H,B,V,W		01
⚠ F101	KB003640	Fuse	ヒューズ	J,U,C,V		01
⚠ F101	KB003090	Fuse	ヒューズ	H,B,W		01

* New Parts (新規部品)

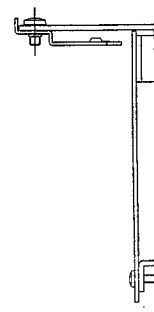
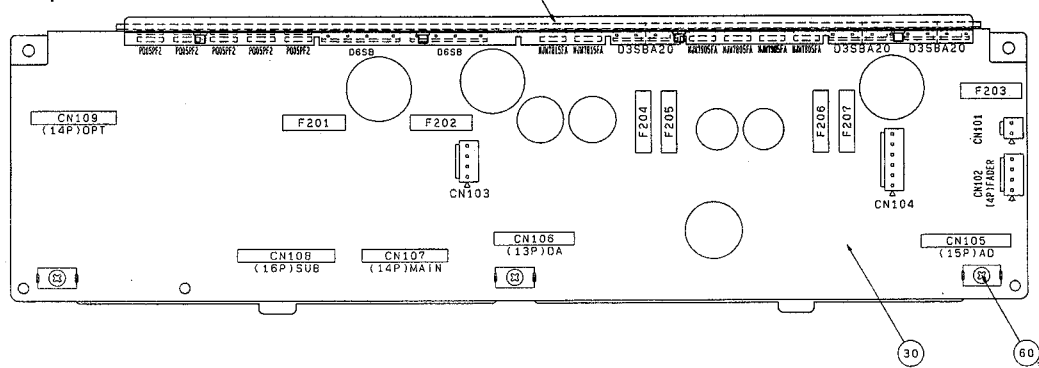
ランク : Japan only

DC ASSEMBLY (DC Ass'y)

<Rear view>



<Top view>



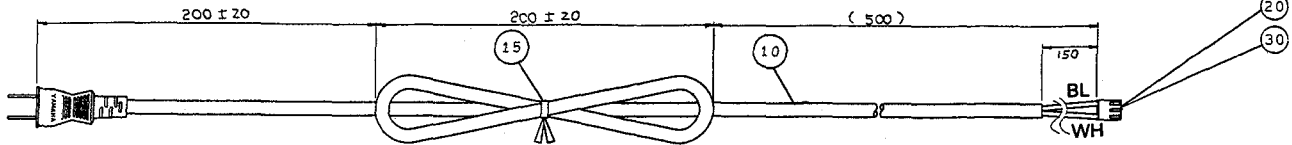
REF NO.	PART NO.	DESCRIPTION	部 品 名	REMARKS	QTY	ランク
*	VV465000	DC ASSEMBLY	D C A s s ' y	03D		
*	VV465200	DC Assembly	D C A s s ' y	J,U,C,V		
*	VV462100	DC Assembly	D C A s s ' y	H,B,W		
*	VV462900	Heat Sink	ヒ ー ト シ ン ク	D C		
		Isolation Sheet	ホ ー ネ ッ シ ー ト			
	30	Circuit Board	D C シ ー ト	J,U,C,V (VV16930,XS399B0)		
	30	Circuit Board	D C シ ー ト	H,B,W (VV62540,XS885B0)		
*	40	Transistor Angle	ア ン グ ル T r			
	50	Pan Head Screw	+ ナ ベ 小 ネ ジ		4	01
	60	Bind Head Tapping Screw-B	+ バ イ ン ド B タ イ ト		3	01
△	F201	KB003630 Fuse	T 5.00A JU	J,U,C,V		01
△	F201	KB003240 Fuse	TL 5.00A S	H,B,W		01
△	F202	KB003630 Fuse	T 5.00A JU	J,U,C,V		01
△	F202	KB003240 Fuse	TL 5.00A S	H,B,W		01
△	F203	KB003630 Fuse	T 5.00A JU	J,U,C,V		01
△	F203	KB003240 Fuse	TL 5.00A S	H,B,W		01
△	F204	KB003590 Fuse	T 3.00A JU	J,U,C,V		01
△	F204	KB003080 Fuse	TL 2.50A S	H,B,W		01
△	F205	KB003590 Fuse	T 3.00A JU	J,U,C,V		01
△	F205	KB003080 Fuse	TL 2.50A S	H,B,W		01
△	F206	KB003590 Fuse	T 3.00A JU	J,U,C,V		01
△	F206	KB003080 Fuse	TL 2.50A S	H,B,W		01
△	F207	KB003590 Fuse	T 3.00A JU	J,U,C,V		01
△	F207	KB003080 Fuse	TL 2.50A S	H,B,W		01

* New Parts (新規部品)

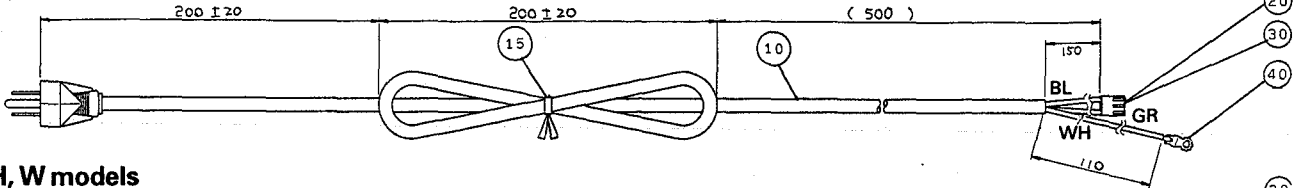
ランク : Japan only

AC CORD ASSEMBLY (電源コードAss'y)

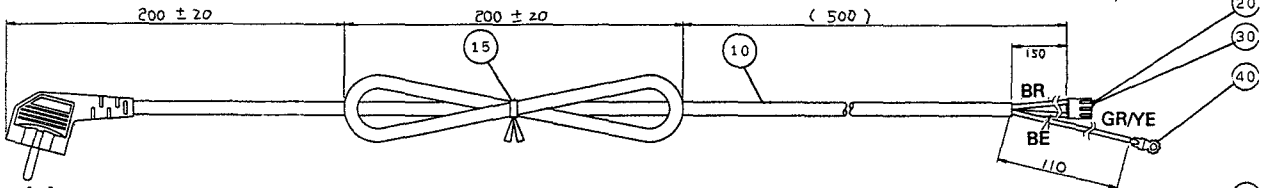
J model



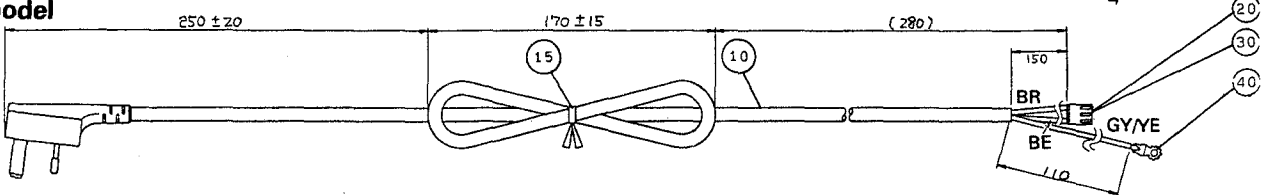
U, C, V models



H, W models



B model



REF NO.	PART NO.	DESCRIPTION	部 品 名	REMARKS	QTY	ランク
		AC CORD ASSEMBLY				
△	VS228900	AC Cord Assembly	2P 15A	電源コード Ass'y	03D	
△	VS229000	AC Cord Assembly	3P 10A	電源コード Ass'y	J	09
△	VS229100	AC Cord Assembly	3P 6A	電源コード Ass'y	U,C,V	10
△	VS229200	AC Cord Assembly	3P 10A	電源コード Ass'y	H,W	10
△				電源コード Ass'y	B	11
△	10	MG000610	2P 15A 2.1m	電源コード	J	06
△	10	VU768500	3P 10A 2.5m	電源コード	U,C,V	05
△	10	VU768600	3P 10A 2.5m	電源コード	H,W	05
△	10	VU768700	3P 10A 2.5m	電源コード	B	07
△	15	CB033610	Cord Binder L=160	束線止め	J,U,C,H	01
	20	LB015030	Connector Housing	ハウジング	J,U,C,H,B	01
	30	LB101710	Connector Pin	圧着端子	J,U,C,H,B	2 01
	40	LA003690	Lug Terminal	ラゲ端子	U,C,H,B	01

* New Parts (新規部品)

ランク : Japan only

ELECTRICAL PARTS (電気部品)

REF NO.	PART NO.	DESCRIPTION	部 品 名	REMARKS	QTY	ラング
		ELECTRICAL PARTS	電 気 部 品	03D		
*	VV169400	Circuit Board	AC	A C シ ー ト	(XS396B0)	
*	VV169500	Circuit Board	JK	J K シ ー ト	(XS396B0)	
*	VV169000	Circuit Board	PN/ENC	P N E N C シ ー ト	(XS396B0)	
*	NX007700	Circuit Board	AD 1/2(PHONES)	A D 1 / 2 シ ー ト	(XS397B0)	
*	NX007710	Circuit Board	AD 2/2(XLRS)	A D 2 / 2 シ ー ト	(XS397B0)	
*	VV169200	Circuit Board	DA	D A シ ー ト	(XS398B0)	
*	---	Circuit Board	DC	D C シ ー ト	J,U,C,V (VV16930,XS399B0)	
*	---	Circuit Board	DC	D C シ ー ト	H,B,W (VV62540,XS885B0)	
*	VV168900	Circuit Board	FD	F D シ ー ト	(XS395B0)	
*	NX007660	Circuit Board	MAIN 1/2(MAIN)	M A I N 1 / 2 シ ー ト	(XS392B0)	
*	NX007670	Circuit Board	MAIN 2/2(CNCT)	M A I N 2 / 2 シ ー ト	(XS392B0)	
*	NX007680	Circuit Board	SUB 1/2(LCD-D)	S U B 1 / 2 シ ー ト	(XS393B0)	
*	NX007690	Circuit Board	SUB 2/2(LEVEL)	S U B 2 / 2 シ ー ト	(XS393B0)	
*	VV169400	Circuit Board	AC	A C シ ー ト	(XS396B0)	
*	VV169500	Circuit Board	JK	J K シ ー ト	(XS396B0)	
*	VV169000	Circuit Board	PN/ENC	P N E N C シ ー ト	(XS396B0)	
*	IR001450	IC	SN74HC14N	I C	HEX INVERTER	05
*	XP893A00	IC	MAX202CPE	I C	TRANSCEIVER	06
*	IC1815M0	Transistor	2SC1815 Y,GR	ト ラ ン ジ ス タ		01
*	VB941200	Diode	1SS133,1SS176	ダ イ オ ー ド		01
*	VS132300	LED	SLR-325VCT31(TA)RE	L E D		01
*	VV440000	LED	SLR-325MGT31(TA)GR	L E D		
*	VB749800	LED	LD701VR RE	面 発 光 L E D 赤		03
*	VB822500	LED	LD701MG GR	面 発 光 L E D 緑		03
*	VD473200	Photo Coupler	6N137	フ ォ ト カ プ ラ		05
*	VD841900	Ceramic Capacitor-B	270P 50V K	円 筒 セ ラ (B)		01
*	UJ837100	Electrolytic Cap.	10.00 16.0V	ケ ミ コ ン		01
*	UJ837220	Electrolytic Cap.	22.00 16.0V	ケ ミ コ ン		01
*	UJ838100	Electrolytic Cap.	100.00 16.0V	ケ ミ コ ン		01
*	VT575200	Capacitor	0.01 400V J.U.C.S	規 格 認 定 コ ン K C		01
*	VT682500	Capacitor	0.220 275V U.C.S	規 格 認 定 コ ン M K T		02
*	VC694800	Semiconductive Cera. Cap.	0.1000 25V Z	半 導 体 セ ラ コ ン		01
*	HF755220	Carbon Resistor	220.0 1/4 J	カ ー ボ ン 抵 抗		01
*	HF755680	Carbon Resistor	680.0 1/4 J	カ ー ボ ン 抵 抗		01
*	HF756100	Carbon Resistor	1.0K 1/4 J	カ ー ボ ン 抵 抗		01
*	HF756330	Carbon Resistor	3.3K 1/4 J	カ ー ボ ン 抵 抗		01
*	HF757100	Carbon Resistor	10.0K 1/4 J	カ ー ボ ン 抵 抗		01
SW101	VQ670600	Push Switch	SDDL B1 J.UC,CE	プ ッ シ ュ S W	POWER switch	03
*	VV056000	Tact Switch	SKQNAE025A	タ ク ト S W		01
*	VR101400	Rotary Encoder	EC16B24204 L=15	1 6 形 エ ン コ ー ダ	MIDI IN/OUT/THRU	04
*	VQ764500	Line Filter	PLAC1522R0R01B1	ラ イ ン フ ィ ル タ ー	MOUSE	03
*	GE300610	Ferrite Bead	BL02RN1-R62T4	フ ェ ラ イ ト ビ ー ズ	to SUB 1/2-CN204	01
*	FZ006920	LC Filter	LS MT B271KB	L C フ ィ ル タ ー E M I	to SUB 1/2-CN201	01
JK201	VI466400	DIN Connector	3-DIN YKF51-5046	複 合 コ ネ ク タ	to rotary encoder-CN004	01
JK202	VU196300	Connector Socket	17LE-23090-27(D4CH	コ ネ ク タ ー ソ ケ ッ ト	to PN-CN003	01
CN001	VI879400	Cable Holder	51048-16P TE	ケ ー ブ ル ホ ル ダ ー	to AC cord	01
CN002	VI879100	Cable Holder	51048-13P TE	ケ ー ブ ル ホ ル ダ ー	to power trans. primary	01
CN003	VI878100	Cable Holder	51048-3P TE	ケ ー ブ ル ホ ル ダ ー	to MAIN 1/2-CN008	01
CN004	VI878100	Cable Holder	51048-3P TE	ケ ー ブ ル ホ ル ダ ー		01
CN101	LB932030	Base Post Connector	VH-3P TE	ベ ー ス ポ ス ト		01
CN102	LB933030	Base Post Connector	VH-3P SE	ベ ー ス ポ ス ト		01
CN201	VI878500	Cable Holder	51048-7P TE	ケ ー ブ ル ホ ル ダ ー		01
	VA078900	Jumper Wire	0.55	ジャン パ ー 線		
	---	Metal Plate, Shield		シ ー ル ド カ ナ グ A C	(VV46200)	
	---	Jumper Wire	FVP=2.0C26SB7-300	2 6 7 8 ジ ャ ン パ ー ワ イ ヤ	CN201 (VY68990)	
	---	Jumper Wire	FVP=2.0C26SB16-100	2 6 7 8 ジ ャ ン パ ー ワ イ ヤ	CN001 (VY69070)	
	---	Jumper Wire	FVP=2.0C26SB13-220	2 6 7 8 ジ ャ ン パ ー ワ イ ヤ	CN002 (VU07370)	
	---	Jumper Wire	FVP=2.0C26SB3-50	2 6 7 8 ジ ャ ン パ ー ワ イ ヤ	CN003 (VY68960)	
	VM642400	LED Spacer		L E D ス ペ ー サ ー		03
	VT650300	Button, LED	TL/L-GY(1)	ボ タ ン L E D タ ン レ ン	ST IN,EFFECT RETURN	02
					ST OUT,USER DEFINE(1-4)	
					FADER METER,MIDI REMOTE	
	VT650500	Button, LED	TL/D-GY(1)	ボ タ ン L E D タ ン レ ン	ST IN,EFFECT RETURN	02
					ST OUT	
	VT650800	Button, LED	TL/L-GY(4)	ボ タ ン L E D 4 レ ン	Channel ON(1-16)	03
	VT651100	Button, LED	TL/D-GY(4)	ボ タ ン L E D 4 レ ン	Channel SEL(1-16)	03
	VV488400	Button, LED	TL/BE(1)	ボ タ ン L E D タ ン レ ン	FADER	
					MODE(AUX1,AUX2,AUX3	
					AUX4,EFFECT1.EFFECT2)	

* New Parts (新規部品)

REF NO.	PART NO.	DESCRIPTION		部 品 名	REMARKS	QTY	ランク
*	VV488500	Button, LED	GR/GR(1)	ボ タ ン L E D タ ン レ ン	CHANNEL CONTROL(EQ LOW, LO-MID,HI-MID,HIGH)		
*	VV488600	Button, LED	RE/RE(1)	ボ タ ン L E D タ ン レ ン	MIXING LAYER		
*	VV488700	Button, LED	D-GY/D-GY(1)	ボ タ ン L E D タ ン レ ン	CURSOR(4),SCENE MEMORY(5)		
*	VV854900	Button, LED	409-3-GY/409-3-GY	ボ タ ン L E D タ ン レ ン	CHANNEL CONTROL(DELAY, DYNA-		
*	VV855000	Button, LED	TL/409-3-GY(1)	ボ タ ン L E D タ ン レ ン	MICS, PAN/ROUTING,VIEW), ENTER		
*	VV885400	Button, LED	L-GY/L-GY(1)	ボ タ ン L E D タ ン レ ン	SOLO SETUP(SCENE MEMORY,MIDI UTILITY,DIO,GROUP/PAIR SOLO SETUP,AUTOMIX		
*	NX007700	Circuit Board	AD 1/2(PHONES)	A D 1 / 2 シ ー ト	(XS397B0)		
*	NX007710	Circuit Board	AD 2/2(XLRS)	A D 2 / 2 シ ー ト	(XS397B0)		
	XM356A00	IC	NJM2068L-D	イ ー シ ー ト	OP AMP		01
	XP844A00	IC	NJM4556AL	イ ー シ ー ト	OP AMP		02
	1R000410	IC	HD74HC04P	イ ー シ ー ト	HEX INVERTER		03
	1R024550	IC	SN74HC245N	イ ー シ ー ト	TRANSCEIVER		06
	XQ199A00	IC	AK5390-VP	イ ー シ ー ト	A/D CONVERTER		22
	1C224030	Transistor	2SC2240 GR,BL	ト ラ ン ジ ス タ			01
	VK432900	Transistor	2SD1915(F) S,T	ト ラ ン ジ ス タ			01
	UA353680	Mylar Capacitor	6800P 50V J	マ イ ラ ー コ ン			01
	FG644100	Ceramic Capacitor-F	0.0100 50V Z	セ ラ コ ン F			01
	VD840100	Ceramic Capacitor-SL	10P 50V J	円 筒 セ ラ (S L)			01
	VD840500	Ceramic Capacitor-SL	22P 50V J	円 筒 セ ラ (S L)			01
	VD840900	Ceramic Capacitor-SL	47P 50V J	円 筒 セ ラ (S L)			01
	VD841200	Ceramic Capacitor-B	82P 50V K	円 筒 セ ラ (B)			01
	VD841300	Ceramic Capacitor-B	100P 50V K	円 筒 セ ラ (B)			01
	VD841800	Ceramic Capacitor-B	220P 50V K	円 筒 セ ラ (B)			01
	VD842600	Ceramic Capacitor-B	1000P 50V K	円 筒 セ ラ (B)			01
	VC694800	Semiconductive Cera. Cap.	0.1000 25V Z	半 導 体 セ ラ コ ン			01
	UJ837100	Electrolytic Cap.	10.00 16.0V	ケ ミ コ ン			01
	UJ838100	Electrolytic Cap.	100.00 16.0V	ケ ミ コ ン			01
	UJ838220	Electrolytic Cap.	220.00 16.0V	ケ ミ コ ン			01
	UJ847470	Electrolytic Cap.	47.00 25.0V	ケ ミ コ ン			01
	UJ848100	Electrolytic Cap.	100.00 25.0V	ケ ミ コ ン			01
	UJ848470	Electrolytic Cap.	470.00 25.0V	ケ ミ コ ン			01
	UJ857100	Electrolytic Cap.	10.00 35.0V	ケ ミ コ ン			01
	UJ867100	Electrolytic Cap.	10.00 50.0V	ケ ミ コ ン			01
	UJ877470	Electrolytic Cap.	47.00 63.0V	ケ ミ コ ン			01
	UJ878100	Electrolytic Cap.	100.00 63.0V	ケ ミ コ ン			01
	VJ097400	Electrolytic Cap.-KL	10.00 50.0V	ケ ミ コ ン K L			01
	UJ819100	Electrolytic Cap.	1000 6.3V	ケ ミ コ ン			01
	HF754100	Carbon Resistor	10.0 1/4 J	カ ー ボ ン 抵 抗			01
	HF754390	Carbon Resistor	39.0 1/4 J	カ ー ボ ン 抵 抗			01
	HF755100	Carbon Resistor	100.0 1/4 J	カ ー ボ ン 抵 抗			01
	HF755220	Carbon Resistor	220.0 1/4 J	カ ー ボ ン 抵 抗			01
	HF755560	Carbon Resistor	560.0 1/4 J	カ ー ボ ン 抵 抗			01
	HF756100	Carbon Resistor	1.0K 1/4 J	カ ー ボ ン 抵 抗			01
	HF756470	Carbon Resistor	4.7K 1/4 J	カ ー ボ ン 抵 抗			01
	HF757100	Carbon Resistor	10.0K 1/4 J	カ ー ボ ン 抵 抗			01
	HF758100	Carbon Resistor	100.0K 1/4 J	カ ー ボ ン 抵 抗			01
	HF759100	Carbon Resistor	1.0M 1/4 J	カ ー ボ ン 抵 抗			01
	HV755390	Flame Proof C. Resistor	390.0 1/4 J	不 燃 化 カ ー ボ ン 抵 抗			01
	VB060800	Metal Film Resistor	20.0 1/5 F	金 属 被 膜 抵 抗			01
	VB060900	Metal Film Resistor	22.0 1/5 F	金 属 被 膜 抵 抗			01
	VB063200	Metal Film Resistor	200.0 1/5 F	金 属 被 膜 抵 抗			01
	VA074100	Metal Film Resistor	4.7K 1/5 F	金 属 被 膜 抵 抗			01
	VA074400	Metal Film Resistor	10.0K 1/5 F	金 属 被 膜 抵 抗			01
	VA074500	Metal Film Resistor	11.0K 1/5 F	金 属 被 膜 抵 抗			01
	VA074600	Metal Film Resistor	15.0K 1/5 F	金 属 被 膜 抵 抗			01
	VB066200	Metal Film Resistor	2.0K 1/5 F	金 属 被 膜 抵 抗			01
	VB066300	Metal Film Resistor	2.2K 1/5 F	金 属 被 膜 抵 抗			01
	VB066400	Metal Film Resistor	2.4K 1/5 F	金 属 被 膜 抵 抗			01
	VB066500	Metal Film Resistor	2.7K 1/5 F	金 属 被 膜 抵 抗			01
	VB067000	Metal Film Resistor	4.3K 1/5 F	金 属 被 膜 抵 抗			01
	VB067100	Metal Film Resistor	5.6K 1/5 F	金 属 被 膜 抵 抗			01
	VB067300	Metal Film Resistor	6.8K 1/5 F	金 属 被 膜 抵 抗			01
	VB067400	Metal Film Resistor	8.2K 1/5 F	金 属 被 膜 抵 抗			01
	VB068400	Metal Film Resistor	33.0K 1/5 F	金 属 被 膜 抵 抗			01
	VB068700	Metal Film Resistor	43.0K 1/5 F	金 属 被 膜 抵 抗			01

* New Parts (新規部品)

ランク : Japan only

REF. NO.	PART NO.	DESCRIPTION		部 品 名	REMARKS	QTY	ランク
	VB068800	Metal Film Resistor	47.0K 1/5 F	金 属 被 膜 抵 抗			01
	VC745000	Metal Oxide Film Resistor	100.0 1W J	酸 化 金 属 被 膜 抵 抗			01
VR051	VS144900	Rotary Variable Resistor	A20KX2 RK14K	二 連 ロ ー タ リ ー V R	MONITOR OUT LEVEL		03
VR052	VS144900	Rotary Variable Resistor	A20KX2 RK14K	二 連 ロ ー タ リ ー V R	PHONES LEVEL		03
	VV701400	Rotary Variable Resistor	5K RK11K113	ロ ー タ リ ー V R	GAIN		
	VV701500	Rotary Variable Resistor	C 100K RK11K113	ロ ー タ リ ー V R	GAIN		
VR901	VV701300	Rotary Variable Resistor	C 100K RK14KX2	二 連 ロ ー タ リ ー V R	GAIN		
SW051	VG204800	Push Switch	SPEC12S	プ ッ シ ュ S W	CUE/2TR IN		03
	VR365100	Slide Switch	SSSF112-S06N1	ス ラ イ ド S W	PHANTOM ON/OFF		02
	VG204800	Push Switch	SPEC12S	プ ッ シ ュ S W	PAD		03
	FZ006970	LC Filter	LS MT Y223NB	L C フィルター E M I			02
	GE300610	Ferrite Bead	BL02RN1-R62T4	フェライトビーズ			01
CN001	V1879000	Cable Holder	51048-12P TE	ケ ー ブ ル ホ ル ダ ー	to MAIN 1/2-CN003		01
CN002	V1879200	Cable Holder	51048-14P TE	ケ ー ブ ル ホ ル ダ ー	to MAIN 1/2-CN004		01
CN003	V1879300	Cable Holder	51048-15P TE	ケ ー ブ ル ホ ル ダ ー	to DC-CN105		01
CN004	V1878400	Cable Holder	51048- 6P TE	ケ ー ブ ル ホ ル ダ ー	to AD 2/2-CN005		01
CN005	VF728300	Connector	52147- 6P TE	コ ネ ク タ	to AD 1/2-CN004		01
CN006	VF728300	Connector	52147- 6P TE	コ ネ ク タ	to DA-CN703		01
CN101	VF728300	Connector	52147- 6P TE	コ ネ ク タ	to AD-CN102		01
CN102	V1878400	Cable Holder	51048- 6P TE	ケ ー ブ ル ホ ル ダ ー	to AD-CN101		01
CN201	VF728300	Connector	52147- 6P TE	コ ネ ク タ	to AD-CN202		01
CN202	V1878400	Cable Holder	51048- 6P TE	ケ ー ブ ル ホ ル ダ ー	to AD-CN201		01
CN301	VF728300	Connector	52147- 6P TE	コ ネ ク タ	to AD-CN302		01
CN302	V1878400	Cable Holder	51048- 6P TE	ケ ー ブ ル ホ ル ダ ー	to AD-CN301		01
CN401	VK025100	Wire Trap	52147- 7P TE	ワイヤートラップ	to AD-CN402		01
CN402	V1878500	Cable Holder	51048- 7P TE	ケ ー ブ ル ホ ル ダ ー	to AD-CN401		01
JK051	VM725600	Pin Jack, 2P	w/E YKC21-3045	ピンジャック 2 P	2TR IN L/R		02
JK052	VS056300	Phone Jack	HLJ7001-01-	ホ ー ン コ ネ ク タ	PHONES		01
JK101	VS133800	XLM Connector	NC3FAH1-0	キャノンコネクタ	CH1		04
JK102	VS133800	XLM Connector	NC3FAH1-0	キャノンコネクタ	CH2		04
JK103	LB301920	Phone Jack	HLJ4306(STEREO)	ホ ー ン コ ネ ク タ	CH1		02
JK104	LB301920	Phone Jack	HLJ4306(STEREO)	ホ ー ン コ ネ ク タ	CH1 INSERT I/O		02
JK105	LB301920	Phone Jack	HLJ4306(STEREO)	ホ ー ン コ ネ ク タ	CH2		02
JK106	LB301920	Phone Jack	HLJ4306(STEREO)	ホ ー ン コ ネ ク タ	CH2 INSERT I/O		02
JK201	VS133800	XLM Connector	NC3FAH1-0	キャノンコネクタ	CH3		04
JK202	VS133800	XLM Connector	NC3FAH1-0	キャノンコネクタ	CH4		04
JK203	LB301920	Phone Jack	HLJ4306(STEREO)	ホ ー ン コ ネ ク タ	CH5		02
JK301	VS133800	XLM Connector	NC3FAH1-0	キャノンコネクタ	CH5		04
JK302	VS133800	XLM Connector	NC3FAH1-0	キャノンコネクタ	CH6		04
JK304	LB301920	Phone Jack	HLJ4306(STEREO)	ホ ー ン コ ネ ク タ	CH6		04
JK401	VS133800	XLM Connector	NC3FAH1-0	キャノンコネクタ	CH7		02
JK402	VS133800	XLM Connector	NC3FAH1-0	キャノンコネクタ	CH8		04
JK403	LB301920	Phone Jack	HLJ4306(STEREO)	ホ ー ン コ ネ ク タ	CH7		02
JK404	LB301920	Phone Jack	HLJ4306(STEREO)	ホ ー ン コ ネ ク タ	CH8		02
JK501	VS056300	Phone Jack	HLJ7001-01-	ホ ー ン コ ネ ク タ	CH9		01
JK502	VS056300	Phone Jack	HLJ7001-01-	ホ ー ン コ ネ ク タ	CH10		01
JK601	VS056300	Phone Jack	HLJ7001-01-	ホ ー ン コ ネ ク タ	CH11		01
JK602	VS056300	Phone Jack	HLJ7001-01-	ホ ー ン コ ネ ク タ	CH12		01
JK701	VS056300	Phone Jack	HLJ7001-01-	ホ ー ン コ ネ ク タ	CH13		01
JK702	VS056300	Phone Jack	HLJ7001-01-	ホ ー ン コ ネ ク タ	CH14		01
JK801	VS056300	Phone Jack	HLJ7001-01-	ホ ー ン コ ネ ク タ	CH15		01
JK802	VS056300	Phone Jack	HLJ7001-01-	ホ ー ン コ ネ ク タ	CH16		01
JK901	VS056300	Phone Jack	HLJ7001-01-	ホ ー ン コ ネ ク タ	ST IN L		01
JK902	VS056300	Phone Jack	HLJ7001-01-	ホ ー ン コ ネ ク タ	ST IN R		01
	--	Jumper Wire	FVP=2.0C26SB12-100	2 6 7 8 ジャンパーワイヤ	CN001 (VY69010)		
	--	Jumper Wire	FVP=2.0C26SB14-140	2 6 7 8 ジャンパーワイヤ	CN002 (VU07380)		
	--	Jumper Wire	FVP=2.0C26SB15-270	2 6 7 8 ジャンパーワイヤ	CN003 (VT64510)		
	--	Jumper Wire	FVP=2.0C26SB6-60	2 6 7 8 ジャンパーワイヤ	CN004,CN102,CN202,CN302 (VY68970)		
	--	Jumper Wire	FVP=2.0C26SB7-60	2 6 7 8 ジャンパーワイヤ	CN402 (VT64520)		
	--	Jack Angle	5 JACKS	ジャックアングル 5 連	(VV46180)		
	VA078900	Jumper Wire	0.55	ジャンパー線			
	V1474400	Terminal Plate		ターミナル金具			01
	VM485700	Jack Angle	SINGLE	JACKアングル 単連			05
	VR524200	Jack Angle	5 JACKS	JACKアングル 5 連			04
	VV910000	Plate, Ground	PHONE JACK	アースフィルム			
	VV169200	Circuit Board	DA	D A シ ー ト	(XS398B0)		
	XM356A00	IC	NJM2068L-D	I	C OP AMP		01
	XP844A00	IC	NJM4556AL	I	C OP AMP		02
	XJ596A00	IC	NJM78L05A	I	C REGULATOR +5V		01

* New Parts (新規部品)

ランク : Japan only

REF NO.	PART NO.	DESCRIPTION	部 品 名	REMARKS	QTY	ランク
	IG142200	IC	TC74HCU04AP	ヘキサインバータ		03
	IR024550	IC	SN74HC245N	トランスシーバ		06
	XJ905A00	IC	YSF210-D	デジタルフィルタ		09
	XM051A00	IC	PCM69AP-3	D/Aコンバータ		07
	XN136A00	IC	PCM1702P	D/Aコンバータ		08
	VK432900	Transistor	2SD1915(F) S,T	トランジスタ		01
	UA353300	Mylar Capacitor	3000P 50V J	マイラコン		01
	UA353680	Mylar Capacitor	6800P 50V J	マイラコン		01
	UA355100	Mylar Capacitor	0.1000 50V J	マイラコン		01
	FG644100	Ceramic Capacitor-F	0.0100 50V Z	セラコン F		01
	VD840500	Ceramic Capacitor-SL	22P 50V J	円筒セラ(SL)		01
	VD840700	Ceramic Capacitor-SL	33P 50V J	円筒セラ(SL)		01
	VD840900	Ceramic Capacitor-SL	47P 50V J	円筒セラ(SL)		01
	VD841300	Ceramic Capacitor-B	100P 50V K	円筒セラ(B)		01
	VT957300	Monolithic Ceramic Cap.	0.100 50V Z T=52	積層セラコン		01
	VC694800	Semiconductive Cera. Cap.	0.1000 25V Z	半導体セラコン		01
	UJ837100	Electrolytic Cap.	10.00 16.0V	ケミコン		01
	UJ837220	Electrolytic Cap.	22.00 16.0V	ケミコン		01
	UJ837470	Electrolytic Cap.	47.00 16.0V	ケミコン		01
	UJ838100	Electrolytic Cap.	100.00 16.0V	ケミコン		01
	UJ848100	Electrolytic Cap.	100.00 25.0V	ケミコン		01
	UN847100	Electrolytic Cap.-BP	10.00 25.0V	BPケミコン		01
	UN847470	Electrolytic Cap.-BP	47.00 25.0V	BPケミコン		01
	HF754390	Carbon Resistor	39.0 1/4 J	カーボン抵抗		01
	HF754750	Carbon Resistor	75.0 1/4 J	カーボン抵抗		01
	HF756100	Carbon Resistor	1.0K 1/4 J	カーボン抵抗		01
	HF756470	Carbon Resistor	4.7K 1/4 J	カーボン抵抗		01
	HF758100	Carbon Resistor	100.0K 1/4 J	カーボン抵抗		01
	HF759100	Carbon Resistor	1.0M 1/4 J	カーボン抵抗		01
	VB063700	Metal Film Resistor	330.0 1/5 F	金属被膜抵抗		01
	VA074100	Metal Film Resistor	4.7K 1/5 F	金属被膜抵抗		01
	VA074400	Metal Film Resistor	10.0K 1/5 F	金属被膜抵抗		01
	VA074500	Metal Film Resistor	11.0K 1/5 F	金属被膜抵抗		01
	VB065500	Metal Film Resistor	1.0K 1/5 F	金属被膜抵抗		01
	VB065600	Metal Film Resistor	1.1K 1/5 F	金属被膜抵抗		01
	VB065900	Metal Film Resistor	1.5K 1/5 F	金属被膜抵抗		01
	VB066000	Metal Film Resistor	1.6K 1/5 F	金属被膜抵抗		01
	VB067500	Metal Film Resistor	9.1K 1/5 F	金属被膜抵抗		01
	VB067800	Metal Film Resistor	16.0K 1/5 F	金属被膜抵抗		01
	VB067900	Metal Film Resistor	18.0K 1/5 F	金属被膜抵抗		01
	VB068000	Metal Film Resistor	20.0K 1/5 F	金属被膜抵抗		01
SW101	VR529600	Quartz Crystal Unit	21.47727M AT-49	水晶振動子		03
	VQ545800	Slide Switch	SSSF04	スライドSW	SOURCE SELECT	02
	FZ006970	LC Filter	LS MT Y223NB	LCフィルタ	EMI	02
	GE300610	Ferrite Bead	BL02RN1-R62T4	フェライトビーズ		01
CN703	VF728300	Connector	52147- 6P TE	コネクタ	to AD 2/2-CN006	01
JK701	VS133700	XLM Connector	NC3MAH	キャノンコネクタ	ST OUT L	04
JK702	VS133700	XLM Connector	NC3MAH	キャノンコネクタ	ST OUT R	04
JK703	VV031600	Pin Jack	RE/WH YKC21-3122	ピンジャック 2P	REC OUT L/R	
JK704	VS056300	Phone Jack	HLJ7001-01-3010	ホンコネクタ	AUX OUT 1	01
JK705	VS056300	Phone Jack	HLJ7001-01-3010	ホンコネクタ	AUX OUT 2	01
JK706	VS056300	Phone Jack	HLJ7001-01-3010	ホンコネクタ	AUX OUT 3	01
JK707	VS056300	Phone Jack	HLJ7001-01-3010	ホンコネクタ	AUX OUT 4	01
JK708	VS056300	Phone Jack	HLJ7001-01-3010	ホンコネクタ	SUB OUT 1	01
JK709	VS056300	Phone Jack	HLJ7001-01-3010	ホンコネクタ	SUB OUT 2	01
JK710	VS056300	Phone Jack	HLJ7001-01-3010	ホンコネクタ	SUB OUT 3	01
JK711	VS056300	Phone Jack	HLJ7001-01-3010	ホンコネクタ	SUB OUT 4	01
JK712	VS056300	Phone Jack	HLJ7001-01-3010	ホンコネクタ	MONITOR OUT L	01
JK713	VS056300	Phone Jack	HLJ7001-01-3010	ホンコネクタ	MONITOR OUT R	01
CN701	VI879400	Cable Holder	51048-16P TE	ケーブルホルダ	to MAIN 1/2-CN005	
CN702	VI879100	Cable Holder	51048-13P TE	ケーブルホルダ	to DC-CN106	01
	VAO78900	Jumper Wire	0.55	ジャンパー線		
	VR524200	Jack Angle	XLM CONNECTOR	JACKアングル5レン		04
	VV909900	Plate, Ground	FVP=2.0C26SB13-250	アースフィルム		
	--	Jumper Wire	FVP=2.0C26SB6-250	2678ジャンパーワイヤ	CN702 (VT64500)	
	--	Jumper Wire	FVP=2.0C26SB16-100	2678ジャンパーワイヤ	CN703 (VY68980)	
	--	Jumper Wire			CN701 (VY69070)	
	--	Circuit Board	DC	DCシート	J,U,C,V (VV16930, XS399B0)	
	--	Circuit Board	DC	DCシート	H,B,W (VV62540, XS885B0)	

* New Parts (新規部品)

ランク : Japan only

REF NO.	PART NO.	DESCRIPTION	部 品 名	REMARKS	QTY	ランク					
	IR012310	IC	HD74HC123AP	イ	C	SINGLE SHOT	02				
	XD854A00	IC	NJM7915FA	イ	C	REGULATOR -15V	03				
	XH672A00	IC	PQ05RF2	イ	C	REGULATOR +5V2A	04				
	XK309A00	IC	NJM7905FA	イ	C	REGULATOR -5V	03				
	XR607A00	IC	UPC2405AHF	イ	C	REGULATOR +5V	04				
	XR608A00	IC	UPC2415AHF	イ	C	REGULATOR +15V	04				
	XS571A00	IC	NJM79L24A	イ	C	REGULATOR -24V0.1A	01				
	IA101590	Transistor	2SA1015 O,Y	ト	ラ	ン	ジ	ス	タ	01	
	IB064730	Transistor	2SB647 C,D	ト	ラ	ン	ジ	ス	タ	01	
	IC1815M0	Transistor	2SC1815 Y,GR	ト	ラ	ン	ジ	ス	タ	01	
	VS150800	Transistor	2SC3200 GR	ト	ラ	ン	ジ	ス	タ	01	
	ID066700	Transistor	2SD667 C,D	ト	ラ	ン	ジ	ス	タ	01	
	VM923000	Transistor	2SD2015 *	ト	ラ	ン	ジ	ス	タ	03	
	VB481900	Diode	11ES4	ダ	イ	オ	ー	ド	ク	01	
	VB845300	Diode Stack	S1WB(A)60 1.0A 60	ダ	イ	オ	ー	ド	ス	タ	02
	VT359600	Diode Stack	D3SBA20 4.0A 200V	ダ	イ	オ	ー	ド	ス	タ	03
	VT682400	Diode Stack	D6SB60L 6.0A 600V	ダ	イ	オ	ー	ド	ス	タ	04
	VI241100	Zener Diode	MTZJ4.3A 4.3V	ツ	エ	ナ	ー	ダ	イ	オ	01
	VQ313100	Zener Diode	MTZJ6.2B 6.2V	ツ	エ	ナ	ー	ダ	イ	オ	01
	VQ553900	Zener Diode	MTZJ6.8B 6.8V	ツ	エ	ナ	ー	ダ	イ	オ	01
	VQ556000	Zener Diode	MTZJ15B 15.0V	ツ	エ	ナ	ー	ダ	イ	オ	06
	VQ557500	Zener Diode	MTZJ24B 24.0V	ツ	エ	ナ	ー	ダ	イ	オ	01
	VQ557800	Zener Diode	MTZJ27B 27.0V	ツ	エ	ナ	ー	ダ	イ	オ	01
	VQ558500	Zener Diode	MTZJ33B 33.0V	ツ	エ	ナ	ー	ダ	イ	オ	01
	UA355100	Mylar Capacitor	0.1000 50V J	マ	イ	ラ	ー	コ	ン	01	
	VR169000	Monolithic Mylar Capacitor	ECQ-V1H334JL3	積	層	マ	イ	ラ	ー	コ	01
	VS589000	Ceramic Capacitor-E	4700P 500V M	セ	ラ	コ	ン	タ	01		
	VC694800	Semiconductive Cera. Cap.	0.1000 25V Z	半	導	体	セ	ラ	コ	01	
	UJ697470	Electrolytic Cap.	47.00 100.0V	ケ	ミ	コ	ン	タ	01		
	UJ698100	Electrolytic Cap.	100.00 100.0V	ケ	ミ	コ	ン	タ	01		
	UJ838100	Electrolytic Cap.	100.00 16.0V	ケ	ミ	コ	ン	タ	01		
	UJ848100	Electrolytic Cap.	100.00 25.0V	ケ	ミ	コ	ン	タ	01		
	UJ866100	Electrolytic Cap.	1.00 50.0V	ケ	ミ	コ	ン	タ	01		
	UJ867100	Electrolytic Cap.	10.00 50.0V	ケ	ミ	コ	ン	タ	01		
	UJ897100	Electrolytic Cap.	10.0 100.0V	ケ	ミ	コ	ン	タ	01		
	UJ639470	Electrolytic Cap.	4700 16.0V	ケ	ミ	コ	ン	タ	03		
	UJ659220	Electrolytic Cap.	2200 35.0V	ケ	ミ	コ	ン	タ	03		
	UJ839100	Electrolytic Cap.	1000 16.0V	ケ	ミ	コ	ン	タ	01		
	VS310900	Electrolytic Cap.	15000 25 USP	ケ	ミ	コ	ン	タ	05		
	VT598600	Electrolytic Cap.	22000 16 USP	ケ	ミ	コ	ン	タ	05		
	VT598700	Electrolytic Cap.	1000 100 USP	ケ	ミ	コ	ン	タ	05		
	HF756100	Carbon Resistor	1.0K 1/4 J	カ	ー	ボ	ン	抵	抗	01	
	HF756120	Carbon Resistor	1.2K 1/4 J	カ	ー	ボ	ン	抵	抗	01	
	HF756220	Carbon Resistor	2.2K 1/4 J	カ	ー	ボ	ン	抵	抗	01	
	HF756470	Carbon Resistor	4.7K 1/4 J	カ	ー	ボ	ン	抵	抗	01	
	HF756560	Carbon Resistor	5.6K 1/4 J	カ	ー	ボ	ン	抵	抗	01	
	HF757100	Carbon Resistor	10.0K 1/4 J	カ	ー	ボ	ン	抵	抗	01	
	HF757220	Carbon Resistor	22.0K 1/4 J	カ	ー	ボ	ン	抵	抗	01	
	HF757750	Carbon Resistor	75.0K 1/4 J	カ	ー	ボ	ン	抵	抗	01	
	HF758100	Carbon Resistor	100.0K 1/4 J	カ	ー	ボ	ン	抵	抗	01	
	VB067400	Metal Film Resistor	8.2K 1/5 F	金	属	被	膜	抵	抗	01	
	VB068800	Metal Film Resistor	47.0K 1/5 F	金	属	被	膜	抵	抗	01	
	VC743400	Metal Oxide Film Resistor	22.0 1W J	酸	化	金	属	被	膜	抵	01
	VC744200	Metal Oxide Film Resistor	47.0 1W J	酸	化	金	属	被	膜	抵	01
	VC746800	Metal Oxide Film Resistor	560.0 1W J	酸	化	金	属	被	膜	抵	01
	VC749400	Metal Oxide Film Resistor	5.6K 1W J	酸	化	金	属	被	膜	抵	01
	VC750200	Metal Oxide Film Resistor	12.0K 1W J	酸	化	金	属	被	膜	抵	01
	FZ006970	LC Filter	LS MT Y223NB	L	C	フ	ィ	ル	タ	ー	02
CN101	LB932020	Base Post Connector	VH- 2P TE	ベ	ー	ス	ポ	ス	ト	to Power trans. secondary	01
CN102	LB932040	Base Post Connector	VH- 4P TE	ベ	ー	ス	ポ	ス	ト	to FD-CN001	01
CN103	LB932040	Base Post Connector	VH- 4P TE	ベ	ー	ス	ポ	ス	ト	to Power trans. secondary	01
CN104	LB932060	Base Post Connector	VH- 6P TE	ベ	ー	ス	ポ	ス	ト	to Power trans. secondary	01
CN105	VF667600	Connector	52147-15P TE	コ	ネ	ク	タ	タ		to AD 1/2-CN003	01
CN106	VK025700	Wire Trap	52147-13P TE	ワ	イ	ヤ	ー	ト	ラ	ッ	01
CN107	VK025800	Wire Trap	52147-14P TE	ワ	イ	ヤ	ー	ト	ラ	ッ	01
CN108	VJ861600	Connector	52147-16P TE	コ	ネ	ク	タ	タ		to SUB 1/2-CN206	01
CN109	VK025700	Wire Trap	52147-13P TE	ワ	イ	ヤ	ー	ト	ラ	ッ	01
	LB201530	Fuse Holder	PC-PH1	フ	ィ	ュ	ー	ズ	ホ	ル	01
	VA078900	Jumper Wire	0.55	ジ	ャ	ン	パ	ー	線		01
	BB069510	Metal Plate, Ground	#6951 A-8	ラ	ン	ド	金	具			01

* New Parts (新規部品)

ランク : Japan only

REF. NO.	PART NO.	DESCRIPTION		部 品 名	REMARKS	QTY	ランク
*	VV168900	Circuit Board	FD	F D シ ー ト	(XS395B0)		
*	XS084A00	IC	NJM78M10FA		REGULATOR +10V		03
	XF557A00	IC	TA7291S		MOTOR DRIVER		05
	IR017450	IC	SN74HC174N		H-DFF		05
	IR027350	IC	SN74HC273N		O-DFF		05
	XA053A00	IC	TC4052BP		MULTIPLEXER		03
	UJ838220	Electrolytic Cap.	220.00 16.0V	ケ ミ コ ン			01
	UJ847470	Electrolytic Cap.	47.00 25.0V	ケ ミ コ ン			01
	VC694800	Semiconductive Cera. Cap.	0.1000 25V Z	半 導 体 セ ラ コ ン			01
	HF755100	Carbon Resistor	100.0 1/4 J	カ ー ボ ン 抵 抗			01
	HF757100	Carbon Resistor	10.0K 1/4 J	カ ー ボ ン 抵 抗			01
	VC756300	Metal Oxide Film Resistor	10.0 2W J	酸 化 金 属 被 膜 抵 抗			01
*	VV626300	Slide Pot., Motor Drive	B10K	電 動 ス ラ イ ド V R	FADER		01
	FZ006970	LC Filter	LS MT Y223NB	L C フィ ル タ ー E M I			02
CN00	VV173700	Wire Assembly	DC-FD	線 材 A s s y	to DC-CN102		
1	V1879300	Cable Holder	51048-15P TE	ケ ー ブ ル ホ ル ダ ー	to SUB 1/2-CN205		01
CN00	V1879200	Cable Holder	51048-14P TE	ケ ー ブ ル ホ ル ダ ー	to SUB 1/2-CN202		01
2	GB069250	Cord Holder	BK-1	イ ン シ ュ ロ ッ ク タ イ			01
CN00	VD016900	Flat Head Screw	3.0 X 4 MFZN2Y	十 皿 小 ネ			01
3	VA078900	Jumper Wire	0.55	ジャンパー線			
	--	FD Angle		ア ン グ ル F D	(VV46160)		
	--	Jumper Wire	FVP=2.0C26SB15-100	2 6 7 8 ジャンパーワイヤ	CN002 (VY89610)		
	--	Jumper Wire	FVP=2.0C26SB14-200	2 6 7 8 ジャンパーワイヤ	CN003 (VY69050)		
*	NX007660	Circuit Board	MAIN 1/2(MAIN)	MA I N 1 / 2 シ ー ト	(XS392B0)		
*	NX007670	Circuit Board	MAIN 2/2(CNCT)	MA I N 2 / 2 シ ー ト	(XS392B0)		
*	XN797A00	IC	NJM2082M(T1)		OP AMP		01
	XC723A00	IC	SN74HCU04NSR		HEX INVERTER		01
	XC726A00	IC	SN74HC74NSR		DFF		01
	XC726A00	IC	SN74HC74NSR		D-DFF		01
	XD830A00	IC	SN74HC04NSR		HEX INVERTER		01
	XD831A00	IC	SN74HC08NSR		AND		01
	XD833A00	IC	SN74HC32NSR		OR		01
	XD835A00	IC	SN74HC138NSR		DECOD		02
	XD835A00	IC	SN74HC138NSR		DECODER		02
	XD838A00	IC	SN74HC245NSR		TRANSCEIVER		04
	XD838A00	IC	SN74HC245NSR		BUF		04
	XH218A00	IC	SN74HC125NSR		3-STATE BUFFER		02
	XH223A00	IC	SN74HC273NSR		O-DFF		01
	XN975A00	IC	SN75121NS		LINE DRIVER		05
	XN976A00	IC	SN75124NS		LINE RECEIVER		05
	XQ967A00	IC	TC74HC164AF		SHIFT REGISTER		03
	XQ595A00	IC	SED1335F0B		LCDC		08
*	XT198A00	IC	HD6437034SD14F		CPU V1.00		
	XR978A00	IC	M5M44260CJ-7		DRAM 4M		
*	XS265A00	IC	KM681000BLG-7L		SRAM 1M		
*	XS544A00	IC	W24257		SRAM 256K		
*	XS681A00	IC	M5M51008BFP-70LLT		SRAM 1M		
*	XS832A00	IC	MBM29F800T-90		FLAS MEMORY		
	XG948E00	IC	YM3436DK		DIR2		11
	X1686A00	IC	M62021FP		RESET		04
	XL334A00	IC	MC26LS30D		LINE DRIVER		08
	XM530A00	IC	YM3437C-F		DIT2		07
	XM530A00	IC	YM3437C-F		DIR2		07
	XN515A00	IC	SN74HC153NSR 4-1 S		Data Selector		02
	XN919A00	IC	AM26LS31M		LINE DRIVER		05
	XQ544A00	IC	DS26C32ATM		LINE RECEIVER		06
	XQ962C00	IC	YSS228D-F		DSP3		20
	VT332900	Diode	1SS355 TE-17	ダ イ オ ー ド			01
	VP864400	Mylar Capacitor (Chip)	0.0047 16V J	チ ッ プ マ イ ラ ー			01
	VR327000	Mylar Capacitor (Chip)	0.0470 16V J	チ ッ プ マ イ ラ ー			01
	VR327100	Mylar Capacitor (Chip)	0.0560 16V J	チ ッ プ マ イ ラ ー			
	VR327400	Mylar Capacitor (Chip)	0.1000 16V J	チ ッ プ マ イ ラ ー			01
	UB012220	Monolithic Ceramic Cap.	B 220P 50V K	チ ッ プ 積 層 セ ラ コ ン			01
	UB051330	Monolithic Ceramic Cap.	SL 33P 50V J	チ ッ プ 積 層 セ ラ コ ン			01
	VJ899500	Monolithic Ceramic Cap.	CH 10P 50V D	チ ッ プ 積 層 セ ラ コ ン			01
	VJ901900	Monolithic Ceramic Cap.	CH 100P 50V J	チ ッ プ 積 層 セ ラ コ ン			01
	UB044100	Monolithic Ceramic Cap.	F 0.010 50V Z	チ ッ プ 積 層 セ ラ コ ン			01
	UB245100	Monolithic Ceramic Cap.	F 0.100 25V Z	チ ッ プ 積 層 セ ラ コ ン			01

* New Parts (新規部品)

ランク : Japan only

REF NO.	PART NO.	DESCRIPTION	部 品 名	REMARKS	QTY	ランク
	UF037100	Electrolytic Cap. (chip)	10 16V	チ ッ プ ケ ミ コ ン		01
	UF037220	Electrolytic Cap. (chip)	22 16V	チ ッ プ ケ ミ コ ン		01
	UF037330	Electrolytic Cap. (chip)	33 16V	チ ッ プ ケ ミ コ ン		01
	UF037470	Electrolytic Cap. (chip)	47 16V	チ ッ プ ケ ミ コ ン		01
	UF038100	Electrolytic Cap. (chip)	100 16V	チ ッ プ ケ ミ コ ン		01
	VC548200	Pulse Transformer	TC-1019-06	パ ル ス ト ラ ン ス タ		04
	VS740100	Chip Inductance	BLM21B751S 2125	チ ッ プ イ ン ダ ク タ		03
	RD253470	Carbon Resistor (chip)	4.7 0.1 J	チ ッ プ 抵 抗		01
	RD254100	Carbon Resistor (chip)	10.0 0.1 J	チ ッ プ 抵 抗		01
	RD254390	Carbon Resistor (chip)	39.0 0.1 J	チ ッ プ 抵 抗		01
	RD254470	Carbon Resistor (chip)	47.0 0.1 J	チ ッ プ 抵 抗		01
	RD254750	Carbon Resistor (chip)	75.0 0.1 J	チ ッ プ 抵 抗		01
	RD255100	Carbon Resistor (chip)	100.0 0.1 J	チ ッ プ 抵 抗		01
	RD255150	Carbon Resistor (chip)	150.0 0.1 J	チ ッ プ 抵 抗		01
	RD255240	Carbon Resistor (chip)	240.0 0.1 J	チ ッ プ 抵 抗		01
	RD255470	Carbon Resistor (chip)	470.0 0.1 J	チ ッ プ 抵 抗		01
	RD256100	Carbon Resistor (chip)	1.0K 0.1 J	チ ッ プ 抵 抗		01
	RD256220	Carbon Resistor (chip)	2.2K 0.1 J	チ ッ プ 抵 抗		01
	RD256330	Carbon Resistor (chip)	3.3K 0.1 J	チ ッ プ 抵 抗		01
	RD256470	Carbon Resistor (chip)	4.7K 0.1 J	チ ッ プ 抵 抗		01
	RD256560	Carbon Resistor (chip)	5.6K 0.1 J	チ ッ プ 抵 抗		01
	RD257100	Carbon Resistor (chip)	10.0K 0.1 J	チ ッ プ 抵 抗		01
	RD257220	Carbon Resistor (chip)	22.0K 0.1 J	チ ッ プ 抵 抗		01
	RD258100	Carbon Resistor (chip)	100.0K 0.1 J	チ ッ プ 抵 抗		01
	RD259100	Carbon Resistor (chip)	1.0M 0.1 J	チ ッ プ 抵 抗		01
	RD259470	Carbon Resistor (chip)	4.7M 0.1 J	チ ッ プ 抵 抗		01
	VI927300	Quartz Crystal Unit	20.0000M AT-49	水 晶 振 動 子		03
	VU800300	Quartz Crystal Unit	60.00 M DOC-49S2	水 晶 発 振 器		02
	VJ041100	Ceramic Resonator	1.2288M CSB	セ ラ ミ ッ ク 振 動 子		10
	VQ248800	Quartz Crystal Unit	3119A-AQA8024.576M	水 晶 発 振 器 2 4 . 5 7 6 M		08
	VT641400	Quartz Crystal Unit	3119A-AQA8022.5792	水 晶 発 振 器 2 2 . 5 7 9 2		01
	FZ006920	LC Filter	LS MT B271KB	L C フ ィ ル タ ー E M I		02
	FZ006970	LC Filter	LS MT Y223NB	L C フ ィ ル タ ー E M I		02
SW001	VR365100	Slide Switch	SSSF112-S06N1	ス ラ イ ド S W	WORD CLOCK IN ON/OFF	03
	VN103600	Battery Holder	CR2032	バ ッ テ リ ー ホ ル ダ ー		04
JK001	VN997100	DIN Connector	8P TCS7927	ミ ニ D I N コ ネ ク タ ー	TO-HOST	02
JK002	VY730000	Connector Socket	17LE-9P SE	コ ネ ク タ ー ソ ケ ッ ト	TO EDITOR	05
JK003	VJ249400	Pin Connector, 2P	JACK YKC21-3079	ピ ン コ ネ ク タ 2 P	DIGITAL ST IN/OUT(COAXIAL	01
JK004	VI552200	BNC Connector	YKS11-0	1 P B N C コ ネ ク タ	WORD CLOCK IN	04
JK005	VS133800	XLM Connector	NC3FAH1-0	キ ャ ノ ン コ ネ ク タ	DIGITAL ST IN(AES/EBU)	05
JK006	VI552200	BNC Connector	YKS11-0	1 P B N C コ ネ ク タ	WORD CLOCK OUT	04
JK007	VS133700	XLM Connector	NC3MAH	キ ャ ノ ン コ ネ ク タ	DIGITALST OUT(AES/EBU)	04
CN001	VT640300	Receptacle	PHEC-100P SE	レ セ プ タ ク ル (ベ ロ ー ズ)	to MAIN 2/2-CN501	01
CN002	VI879200	Cable Holder	51048-14P TE	ケ ー ブ ル ホ ル ダ ー	to DC-CN107	01
CN003	VK025600	Connector	52147-12P TE	ワ イ ヤ ー ト ラ ッ プ	to AD 1/2-CN001	01
CN004	VK025800	Connector	52147-14P TE	ワ イ ヤ ー ト ラ ッ プ	to AD 1/2-CN002	01
CN005	VJ861600	Connector	52147-16P TE	コ ネ ク タ	to DA-CN701	01
CN006	VK025600	Connector	52147-12P TE	ワ イ ヤ ー ト ラ ッ プ	to SUB 1/2-CN203	01
CN007	VF728200	Connector	52147-10P TE	コ ネ ク タ	to SUB 1/2-CN208	01
CN008	VK025100	Connector	52147-7P TE	ワ イ ヤ ー ト ラ ッ プ	to JK-CN201	05
CN501	VU328200	Plug	PHEC-100P TE	プ ラ グ (ベ ロ ー ズ タ イ プ)	to MAIN 1/2-CN001	05
CN502	VU328200	Plug	PHEC-100P TE	プ ラ グ (ベ ロ ー ズ タ イ プ)	to Optional I/O card	01
CN503	VI879100	Cable Holder	51048-13P TE	ケ ー ブ ル ホ ル ダ ー	to DC-CN109	01
	--	Jumper Wire	FVP=2.0C26SB13-100	2 6 7 8 ジ ャ ン パ ー ワ イ ヤ	CN503 (VT64400)	
	--	Jumper Wire	FVP=2.0C26SB14-180	2 6 7 8 ジ ャ ン パ ー ワ イ ヤ	CN002 (VY69040)	
	VI474400	Terminal Plate		タ ー ミ ナ ル 金 具		01
	NX007680	Circuit Board	SUB 1/2(LCD-D)	S U B 1 / 2 シ ー ト	(XS393B0)	
	NX007690	Circuit Board	SUB 2/2(LEVEL)	S U B 2 / 2 シ ー ト	(XS393B0)	
	XT198A00	IC	HD6437034F20	I C	CPU V1.00	
	XD835A00	IC	SN74HC138NSR	I C	DECODER	02
	XD838A00	IC	SN74HC245NSR	I C	TRANSCEIVER	04
	VQ395600	Transistor	2SA1052 B,C	ト ラ ン ジ ス タ		01
	VQ986700	Transistor	2SC2SC4081T106	ト ラ ン ジ ス タ		01
	VS185600	Transistor	2SD1863 TV2 82-390	ト ラ ン ジ ス タ		01
	VQ248400	Transistor Array	TD62783AF	ト ラ ン ジ ス タ ア レ イ		04
	VY703900	Transistor Array	TD62309F(EL)	ト ラ ン ジ ス タ ア レ イ		
	VQ553900	Zener Diode	MTZJ6.8B 6.8V	ツ ェ ナ ー ダイ オ ー ド		01
	VT816300	Thermistor	ERT-D2FGL332S 3.3K	サ ー ミ ス タ		01
	VQ735300	LED	LN882RPX-(TA) OR	L E D		01

* New Parts (新規部品)

ランク : Japan only

REF NO.	PART NO.	DESCRIPTION	部 品 名	REMARKS	QTY	ランク
	VQ917600	LED	LN382GPX-(TA) GR	L E D		01
	VS184400	LED	LN482YPX-(TA) YEBR	L E D		01
	VS147400	Ceramic Capacitor-SL	18P 3KV J	セラコン S		01
	VJ899500	Monolithic Ceramic Cap.	CH 10P 50V D	チップ積層セラコン		01
	VJ904300	Monolithic Ceramic Cap.	CH 1000P 50V J	チップ積層セラコン		01
	UB245100	Monolithic Ceramic Cap.	F 0.100 25V Z	チップ積層セラコン		01
	UF037330	Electrolytic Cap. (chip)	33 16V	チップケミコン		01
	UF038100	Electrolytic Cap. (chip)	100 16V	チップケミコン		01
	UF157470	Electrolytic Cap. (chip)	47 35V UUR1V4	チップケミコン		01
	VP318400	Electrolytic Cap. (chip)	0.068 250 ECQE26	コンデンサ		01
	RD254330	Carbon Resistor (chip)	33.0 0.1 J	チップ抵抗		01
	RD255100	Carbon Resistor (chip)	100.0 0.1 J	チップ抵抗		01
	RD256120	Carbon Resistor (chip)	1.2K 0.1 J	チップ抵抗		01
	RD256560	Carbon Resistor (chip)	5.6K 0.1 J	チップ抵抗		01
	RD257100	Carbon Resistor (chip)	10.0K 0.1 J	チップ抵抗		01
	RD257110	Carbon Resistor (chip)	11.0K 0.1 J	チップ抵抗		01
	RD258100	Carbon Resistor (chip)	100.0K 0.1 J	チップ抵抗		01
VR301	VS368200	Rotary Variable Resistor	B10.0K RK09K1130BN	ロータリーVR 1連	CONTRUST control	01
	VT646400	Inverter Transformer	CLF16A	インバータトランス		06
	VS587900	Coil	LH L 08TB221K	コイル 220uH		01
	VS740100	Chip Inductance	BLM21B751S 2125	チップインダクタ		03
	V1927300	Quartz Crystal Unit	20.0000M AT-49	水晶振動子		03
	FZ006970	LC Filter	LS MT Y223NB	LCフィルターEMI		02
CN201	VK025700	Wire Trap	52147-13P TE	ワイヤートラップ	to PN-CN002	01
CN202	VK025800	Wire Trap	52147-14P TE	ワイヤートラップ	to FD-CN003	01
CN203	VK025600	Wire Trap	52147-12P TE	ワイヤートラップ	to MAIN 1/2-CN006	01
CN204	VJ861600	Connector	52147-16P TE	コネクタ	to PN-CN001	01
CN205	VF667600	Connector	52147-15P TE	コネクタ	to FD-CN002	01
CN206	VJ861600	Connector	52147-16P TE	コネクタ	to DC-CN108	01
CN207	VT389600	Base Post Connector	53259- 4P SE	ベースポスト	to LCD	01
CN208	VF728200	Connector	52147-10P TE	コネクタ	to MAIN 1/2-CN007	01
CN209	VF982200	Connector , FFC	52044-14P SE	FFCコネクタ	to LCD	02
CN210	VF667600	Connector	52147-15P TE	コネクタ	to SUB 2/2-CN301	01
CN301	V1879300	Cable Holder	51048-15P TE	ケーブルホルダー	to SUB 1/2-CN210	01
	VS065900	LED Holder		LEDホルダー		03
	---	Jumper Wire	FVP=2.0C26SB15-80	2678ジャンパーワイヤ	CN301 (VT64230)	
	VN103500	Lithium Battery	CR2032	リチウム電池		03
	VT379600	LCD	EDMMPU3BBF	液晶ディスプレイ		27
	XS011A00	Power Transformer		電源トランス	J	
	XS012A00	Power Transformer		電源トランス	U,C,V	
	XS013A00	Power Transformer		電源トランス	H,B,W	
	VS228900	AC Cord Assembly	2P 15A	電源コードAss'y	J	09
	VS229000	AC Cord Assembly	3P 10A	電源コードAss'y	U,C,V	10
	VS229100	AC Cord Assembly	3P 6A	電源コードAss'y	H,W	10
	VS229200	AC Cord Assembly	3P 10A	電源コードAss'y	B	11
	MG000610	AC Cord	2P 15A 2.1m	電源コード加工品	J	06
	VU768500	AC Cord	3P 10A 2.5m	電源コード	U,C,V	05
	VU768600	AC Cord	3P 10A 2.5m	電源コード	H,W	05
	VU768700	AC Cord	3P 10A 2.5m	電源コード	B	07
	VV465000	DC Assembly		DC Ass'y	J,U,C,V	
	VV465200	DC Assembly		DC Ass'y	H,B,W	
F201	KB003630	Fuse	T 5.00A JU	ヒューズ	J,U,C,V	01
F201	KB003240	Fuse	TL 5.00A S	ヒューズ	H,B,W	01
F202	KB003630	Fuse	T 5.00A JU	ヒューズ	J,U,C,V	01
F202	KB003240	Fuse	TL 5.00A S	ヒューズ	H,B,W	01
F203	KB003630	Fuse	T 5.00A JU	ヒューズ	J,U,C,V	01
F203	KB003240	Fuse	TL 5.00A S	ヒューズ	H,B,W	01
F204	KB003590	Fuse	T 3.00A JU	ヒューズ	J,U,C,V	01
F204	KB003080	Fuse	TL 2.50A S	ヒューズ	H,B,W	01
F205	KB003590	Fuse	T 3.00A JU	ヒューズ	J,U,C,V	01
F205	KB003080	Fuse	TL 2.50A S	ヒューズ	H,B,W	01
F206	KB003590	Fuse	T 3.00A JU	ヒューズ	J,U,C,V	01
F206	KB003080	Fuse	TL 2.50A S	ヒューズ	H,B,W	01
F207	KB003590	Fuse	T 3.00A JU	ヒューズ	J,U,C,V	01
F207	KB003080	Fuse	TL 2.50A S	ヒューズ	H,B,W	01
F101	KB003640	Fuse	T 6.00A JU	ヒューズ	J,U,C,V	01
F101	KB003090	Fuse	TL 3.15A S	ヒューズ	H,B,W	01

* New Parts (新規部品)

ランク : Japan only